



MV
INTERNATIONAL

Medium Vocational

Body Builder Book
July 2018 Edition
PBB-43200

TABLE OF CONTENTS

Preface: Preface

Government Requirements: Govt Req

Chassis Diagrams: 00

MV607 4x2.....	00-19
Front and Rear View	00-25
Hood Tilt	00-26

Chassis Diagrams: 00

MV60H LP 4x2.....	00-27
Front and Rear View	00-33
Hood Tilt	00-34

Frames: 01

General Frame Information.....	01-1
Identification of Frame Rail Material	01-2
Frame Damage.....	01-2
Welding and Reinforcement.....	01-4
Reinforcement	01-15
Bolt and Torque Information.....	01-20
Huckbolt Fasteners (Huck-Spin 2)	01-21
Special Service Tools	01-23
Aftermarket Modifications	01-24
Wheelbase Alterations.....	01-26
Frame Rail Cross-Section.....	01-27
Intermediate Crossmember Location.....	01-28
AF Crossmember Locations	01-40
Crossmembers	01-42
Crossmembers With Tapered Rails	01-43
Frame Drilling Guidelines.....	01-44
Frame Drilling Restrictions.....	01-45
Maximum Wheelbase Availability Chart.....	01-47
Frame Height Calculation – at Centerline of Front Axle	01-49
Frame Height Data – Front.....	01-50

Frame Height Calculation – at Centerline of Rear Axle.....	01-51
Bump Heights – Rear	01-52
Frame and Bump Height Data – Rear.....	01-53
Frame Height Calculation – at Front and Rear Rail Ends.....	01-56
Front Bumper and Tow Hooks.....	01-57
Front Bumper, Tow Hooks and Extensions	01-59
Tire Carrier.....	01-61
Overhang Limits for Refuse/Recycler Bodies	01-62

Front Axles: 02

All Models	02-1
Front Axle Tread	02-2

Front Suspensions: 03

Front Suspension Brackets	03-1
---------------------------------	------

Brakes: 04

All Models	04-1
Antilock Hydraulic Brake System Schematic.....	04-4
Antilock Air Brake System Schematic.....	04-5
Routing Guidelines.....	04-7
Air-Operated Auxiliary Attachments	04-8
Tube Fitting Installation Instructions	04-9
Removal and Insertion Procedures for Tubing in QC or PTC Fittings	04-10
Hydraulic Brake Master Cylinder Tubing	04-11
Hydraulic Brake Rear Section Tubing.....	04-13
Parking Brake, Driveline Mounted (Standard)	04-14
Parking Brake, Spring Actuated (Optional).....	04-15
Air ABS ECU (Electrical Control Unit).....	04-16
Air Tank Location	04-17
Air Tank Location	04-18
Air Tank Location	04-19
Air Dryer Location	04-26

Exhaust System: 07

Guidelines for Aftertreatment Modifications.....	07-1
Turbo Pipe.....	07-2
Aftertreatment Module.....	07-2
Temperature Control Device.....	07-3
Backpressure Data Sheets.....	07-7
Backpressure Test Procedure.....	07-8
Aftertreatment Diagrams.....	07-10

Electrical: 08

Battery Box Location.....	08-1
Electrical Circuit Diagrams.....	08-6
Cooling Obstruction Guidelines.....	08-7

Fifth Wheel: 10

Fifth Wheel Height Calculations.....	10-1
Fifth Wheel Mounting Information.....	10-2

Engine: 12

Engine Location.....	12-1
Water Cooler Mounting.....	12-6

Transmission: 13

Transmission PTO Data.....	13-1
PTO Location.....	13-5
Spare Input/Output Chart (for Allison Transmissions).....	13-14

Rear Axles & Suspensions: 14

Rear Axle Tread.....	14-1
Rear Axle Tread Data.....	14-2
Rear Suspension.....	14-4

Fuel Tanks: 15

Fuel Tank and Step Location.....	15-1
DEF Tank Location.....	15-11
DEF System and Aftertreatment Information.....	15-15

Cab: 16

Air Conditioning System Modifications.....	16-1
Cab Dimensions.....	16-2
Door Swing Clearance.....	16-4
Cab Rear Suspension.....	16-6
Instrument Panel.....	16-7

PREFACE

FOREWORD

The CT-471 – Body Builder Books are a set of publications of which this Body Builder is a part. The complete set contains information related to the features and specifications for each truck in the International® product line.

Disclaimer

The Body Builder Books provide product information to assist those who wish to modify these products for individual applications. Navistar, Inc. does not recommend or approve any firm or party nor make any judgements on the quality of the work performed by a particular firm or party. Individuals who use the services of a Body Builder must satisfy themselves as to the quality of the work.

The party installing a body, a fifth wheel, any other equipment, or making any modifications to complete the vehicle for delivery and make it road-ready is responsible to see that the completed vehicle complies with all applicable certification procedures and safety standards, as may be set forth in federal, state, and local statutes, rules and regulations. Specifications, descriptions and illustrative material in this literature are as accurate as known at time of publication but are subject to change without notice. Navistar, Inc. cannot accept responsibility for typographical errors which may have occurred. Illustrations are not always to scale and may include optional equipment and accessories but may not include all standard equipment.

Any changes to the fuel delivery and return system may negatively affect the performance of the engine. Should changes be made the installer should verify that those changes still meet the requirements of the engine for proper system performance. Navistar, Inc. cannot accept responsibility for engine performance issues, error messages, or any other issues caused by changes to the fuel delivery and return system. Please contact Navistar, Inc. for information on the engine requirements for the fuel delivery and return system if needed.

International® and the International® logotype are registered trademarks of Navistar, Inc.



CONTACTS

To access Engineering and Customer Responsiveness Center contacts, please visit the Dealer Portal and click on “CONTACT US”:

<https://evaluate.internationaldelivers.com/dealerportal/contact-us>

Mail inquiries for all applications and models to:

Navistar, Inc.
Global Engineering
2701 Navistar Drive
Lisle, IL 60532

Application Engineering Support: 331.DEALERS or 331-332-5377



GOVERNMENT REQUIREMENTS

Your Obligations Under The Law

The important information in this section will acquaint you with U.S. and Canada safety and emission standards that apply to Navistar, Inc. (Navistar) vehicles sold in the two countries, of those laws that established these standards, and the identity of the parties responsible for certification of compliance for both **COMPLETE VEHICLES** and **INCOMPLETE VEHICLES**. To the best of Navistar's knowledge, it is correct as of the date of this printing. Navistar, however cannot accept responsibility for its completeness and currency. User must ascertain this on their own. This section is written specifically for trucks with a Gross Vehicle Weight Rating (GVWR) greater than 10,000 lbs. (4,536 kg).

The National Traffic and Motor Vehicle Safety Act of 1966, in the U.S., gave rise to the Federal Motor Vehicle Safety Standards (FMVSS). In addition, The Environmental Protection Agency (EPA), through the Environmental Policy Act of 1969, set forth environmental protection standards.

In Canada, the Motor Vehicle Safety Act of 1970 established the Canadian Motor Vehicle Safety Standards (CMVSS) Act Environment and Climate Change Canada establishes the environmental protection standards.

These standards place the responsibility for compliance of a **COMPLETE VEHICLE** (vehicle built in a single stage) on the vehicle and engine manufacturers. Any vehicle purchased from Navistar, as a **COMPLETE VEHICLE**, as defined by section 567.3 of Title 49 of the Code of Federal Regulations (CFR) is certified by Navistar to comply with all applicable safety standards provided modifications or additions to the vehicle do not result in non-compliance with applicable U.S. and Canada standards to which Navistar has certified compliance. The Engine Manufacturer is responsible to certify the engine to the U.S. EPA and Environment and Climate Change Canada standards.

It is the responsibility of every International dealer to assure that the service work or modifications that can affect compliance, performed on a new vehicle prior to delivery to the customer, meets the requirements specified by all mandated standards. It is the responsibility of the Final-Stage Manufacturer who typically installs a body, a fifth wheel, any other equipment, or makes any modifications to an **INCOMPLETE VEHICLE** supplied by Navistar, to certify compliance with the applicable standards for the vehicle when completed. Further, it is the responsibility of the Final-Stage Manufacturer to determine, and fully comply with, any additional requirements of the several States and Provinces. In addition, the Final-Stage Manufacturer must certify compliance with any other standards set forth in U.S. and Canada regulations, statutes and ordinances.

Penalties For Violations

Penalties for violation of the provisions contained within the U.S. Federal Motor Vehicle Safety Standards can be severe and are specified in the Federal Code of Regulations Title 40, Part 1068 and Title 49, Part 578 Civil and Criminal Penalties. The following violations are subject to these penalties:

1. Any manufacturer who knowingly or unknowingly produces for sale a motor vehicle subject to the law, but which does not meet all the applicable provisions of the law.
2. Any party who sells or offers for sale a motor vehicle built after the effective date of a standard, which in the knowledge of the selling party does not comply with the standard.

3. Any party (manufacturer, dealer, body builder or other) who completes a vehicle for sale in compliance with the law but fails to certify the completed vehicle in the prescribed manner.
4. Any party who knowingly certifies a vehicle as complying, which does not in fact meet the requirements of the law. This is an occurrence where the government was intentionally misled in regards to safety related defects. This is considered a criminal violation and is punishable by imprisonment.
5. Any party who tampers with or removes any components of the aftertreatment or engine emission system violates the current manufacturer's engine certificate and must re-certify the engine.

The U.S. Department of Transportation has declared its intent to institute procedures periodically to inspect vehicles subject to the law, and to implement enforcement procedures that will permit detection of violations.

The requirements of the law are stringent and the penalties for violation are severe. It is therefore mandatory for all personnel involved in any of the following motor vehicles aspects to become familiar with the provisions of the law as they relate to their responsibilities.

- Installation of equipment sub-assemblies and/or bodies (Intermediate and Final-Stage Manufacturer)
- Sales
- Preparation for delivery
- Modification or conversion (Alterer)
- Maintenance and repair

Violation of the Canada Motor Vehicle Safety Standards law carries similar penalties.

NOTE: The Canada, Mexico and U.S. vehicle standards, which regulate the manufacture of vehicles for sale in their respective countries, may at any time exceed all or a portion of the mandated requirements of one or both of the other two countries. This situation exists due to established standards or regulatory revisions in one country, which have not yet been incorporated by the other(s).

Each of these countries requires that any vehicle crossing its border(s) in commerce must comply with all applicable standards of their country in effect on the date of manufacture of that vehicle.

U.S. Federal Motor Vehicle Safety Standards (FMVSS) and Canada Motor Vehicle Safety Standards (CMVSS)

The following standards apply to Trucks having a GVWR greater than 10,000 pounds (4,536 kg.). Presently, all International[®] trucks fall in this classification.

For any vehicle manufactured by and purchased from Navistar and defined by section 567.3 of Title 49 of the CFR as an Incomplete Vehicle, consult the Incomplete Vehicle Document (IVD) provided with each Incomplete Vehicle to determine those particular safety standards with which the vehicle complies. Any standards, with which Navistar cannot certify compliance because of the level of completion of that vehicle, become the responsibility of the Intermediate Manufacturer or Final-Stage Manufacturer or both.

Table 1.1

SAFETY STANDARD IDENTIFICATION
(Applicable to vehicles with GVWR greater than 10,000 LBS.)

FMVSS 101, CMVSS 101	Controls and Displays
FMVSS 102, CMVSS 102	Transmission Shift Position Sequence, Starter Interlock and Transmission Braking Effect
FMVSS 103, CMVSS 103	Windshield Defrosting and Defogging Systems
FMVSS 104, CMVSS 104	Windshield Wiping and Washing Systems
FMVSS 105, CMVSS 105	Hydraulic and Electric Brake Systems
FMVSS 106, CMVSS 106	Brake Hoses
FMVSS 108, CMVSS 108	Lamps, Reflective Devices and Associated Equipment
FMVSS 111, CMVSS 111	Rear Visibility
FMVSS 113, CMVSS 113	Hood Latch System
U.S. 49 CFR part 565, CMVSS 115	Vehicle Identification Number Requirements
FMVSS 116, CMVSS 116	Motor Vehicle Brake Fluids
FMVSS 119, CMVSS 119	New Pneumatic Tires for Motor Vehicles with a GVWR of more than 4,536 Kilograms (10,000 pounds)
FMVSS 120, CMVSS 120	Tire selection and Rims for vehicles with a GVWR of more than 4,536 Kilograms (10,000 pounds)
FMVSS 121, CMVSS 121	Air Brake Systems

SAFETY STANDARD IDENTIFICATION

(Applicable to vehicles with GVWR greater than 10,000 LBS.)

FMVSS 124, CMVSS 124	Accelerator Control Systems
FMVSS 125	Warning Devices
FMVSS 136, CMVSS 136	Electronic Stability Control Systems for Heavy Vehicles
FMVSS 205, CMVSS 205	Glazing Materials
FMVSS 206, CMVSS 206	Door Locks and Door Retention Components
FMVSS 207, CMVSS 207	Seating Systems
FMVSS 208, CMVSS 208	Occupant Crash Protection
FMVSS 209, CMVSS 209	Seat Belt Assemblies
FMVSS 210, CMVSS 210	Seat Belt Assembly Anchorages
FMVSS 213, CMVSS 213	Child Restraint Systems
FMVSS 302, CMVSS 302	Flammability of Interior Materials
FMVSS 303	Fuel System Integrity of Compressed Natural Gas Vehicles
FMVSS 403	Platform Lift Systems for Motor Vehicles
FMVSS 404	Platform Lift Installations in Motor Vehicles
CMVSS 301.1	LPG Fuel System Integrity
CMVSS 301.2	CNG Fuel System Integrity
FMVSS 304	CNG Fuel Container Integrity
CMVSS 1106	Noise Emissions

Additional Lighting Information

Lighting Devices and Reflectors Required by FMVSS 108 and CMVSS 108

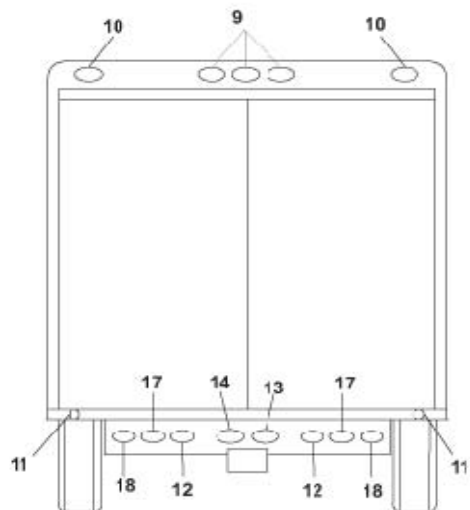
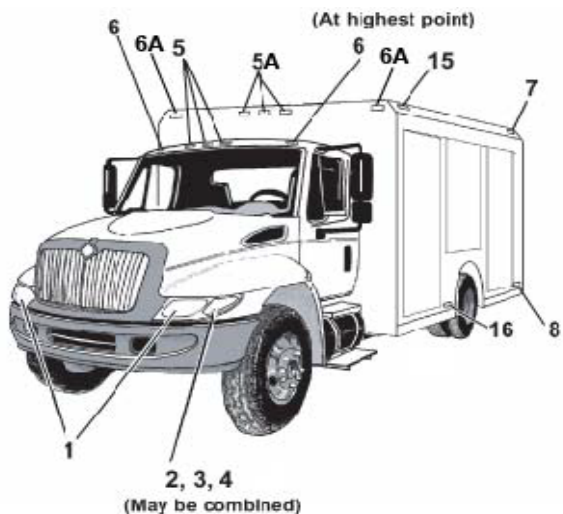
Table 1.2

Required Vehicle Lighting and Reflective Equipment for Trucks with an Overall Width of 80 Inches or More

REQUIRED LIGHTING EQUIPMENT	QTY	COLOR	POSITION	HEIGHT ABOVE ROAD SURFACE (In inches measured from the center of the lamp/reflector with vehicle at curb weight.)
Headlamps (Lower Beam)	2 minimum	White	On the front, symmetrical, as far apart as practicable (if 4 lamp system, outboard or above upper beams)	Not less than 22 or more than 54.
Headlamps (Upper Beam)	2 minimum	White	On the front, symmetrical (if 4 lamp system, inboard or below lower beams)	Not less than 22 or more than 54.
Daytime Running Lamps - Attention: for Canada required, for US optional	2 minimum	White or Yellow	Front, symmetrical, as far apart as practicable	380 mm (15) minimum. Maximum depends on type of DRL.
Turn signal (Front)	2	Amber	On the front, one on each side of the vertical centerline at the same height and as far apart as practicable.	Not less than 15 or more than 83.
Identification Lamp (Front)	3	Amber	On the front, as close as practicable to the vertical centerline of the vehicle or the vertical centerline of the cab where different from the centerline of the vehicle with lamp center spaced not less than 6 inches or more than 12 inches apart.	At the same height, as close as practicable to the top of the vehicle.
Tail Lamp	2	Red	On the rear, one lamp each side of the vertical centerline at the same height and as far apart as practicable.	Not less than 15 or more than 72.
Stop Lamp	2	Red	Front, one lamp each side of the vertical centerline at the same height and as far apart as practicable.	Not less than 15 or more than 72.
Front Clearance Lamps	2	Amber	One on each side of the vertical centerline width.	As high as practicable.
Rear Clearance Lamps NOTE: Not required on tractor	2	Red	One on each side of the vertical centerline to indicate overall width.	As high as practicable.

REQUIRED LIGHTING EQUIPMENT	QTY	COLOR	POSITION	HEIGHT ABOVE ROAD SURFACE (In inches measured from the center of the lamp/reflector with vehicle at curb weight.)
Side Marker Lamp, Intermediate	2	Amber	One on each side, at or near midpoint between front and rear side marker lamps, if vehicle over 30 feet in length.	Not less than 15.
Reflex Reflector Intermediate (Side)	2	Amber	At or near midpoint between front and rear side reflectors if vehicle over 30 feet in length.	Not less than 15 or more than 60.
Reflex Reflector (Rear) NOTE: Not required on tractor	2	Red	On the rear, one on each side of vertical centerline, at the same height as far apart as practicable.	Not less than 15 or more than 60.
Reflex Reflector (Rear Side)	2	Red	One on each side as far to the rear as practicable.	Not less than 15 or more than 60.
Reflex Reflector (Front Side)	2	Amber	One on each side as far to the front as practicable.	Not less than 15 or more than 60.
License Plate Lamp Rear	1	White	On the rear to illuminate the license plate from the top or sides.	No requirements.
Side Marker Lamp (Front)	2	Amber	One on each side, as far to the front as practicable.	Not less than 15.
Side Marker Lamp (Rear)	2	Red	One on each side, as far to the rear as practicable.	Not less than 15.
Turn Signal (Rear)	2	Amber or Red	On the rear, one lamp on each side of the vertical centerline, at the same height as far apart as practicable.	Not less than 15 or more than 83.
Identification Lamp (Rear)	3	Red	On the rear, as close as practicable to vertical centerline. At the same height spaced not less than 6 inches or more than 12 inches apart.	As close as practicable to the top of the vehicle.
Backup Lamp	1	White	On the rear	No requirement.
Rear Upper Body Marking (Tractor)	2 pairs of 300mm long	White	Rear upper corners of cab, facing rearward, placed vertically and horizontally, as far apart as practicable.	As high as practicable excluding fairings
Rear Marking (Tractor)	Exactly 2 sections, minimum 600mm each	Red/White	On the rear, facing rearward, on fenders, as horizontal as practicable, on mud flap brackets, or within 300mm below the top of mud flaps	Not more than 60.

(Figures 1.1, 1.2 and 1.3 for Illustration Purposes Only)

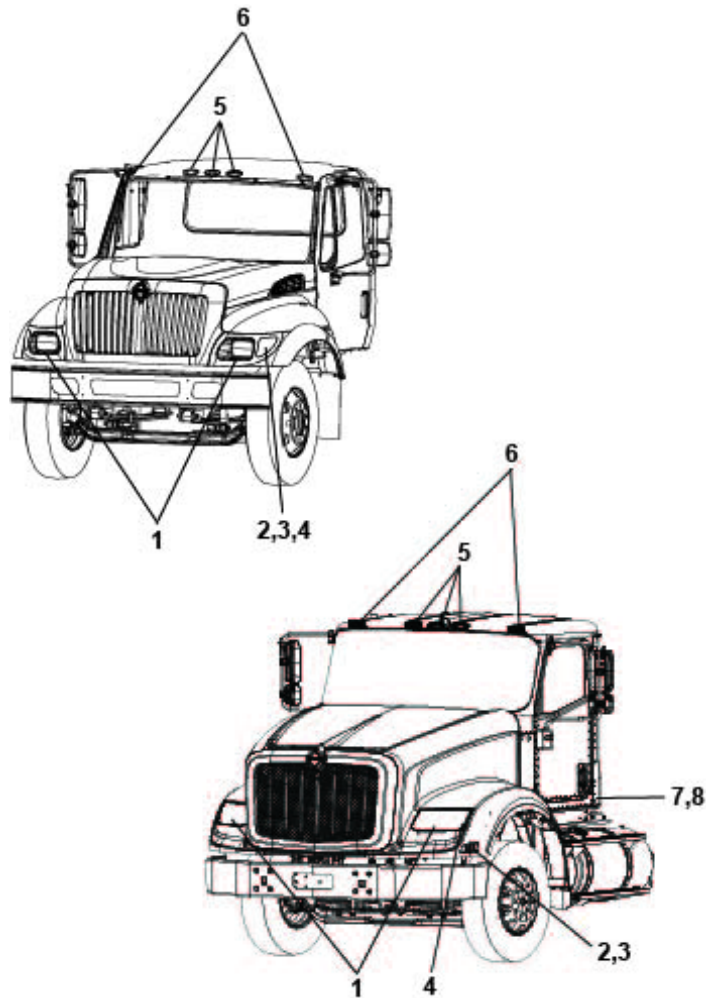


LEGEND

1. Headlamps (2) – White (4 optional)
2. Side marker lamps. Front (2) – Amber
3. Side reflectors. Front (2) – Amber
4. Turn signal lamps. Front (2) – Amber
- 4a. Turn signal lamps. Front (2) – Amber (Optional location)
5. Identification lamps. Front (3) – Amber
- 5a. Identification lamps. Front (3) – Amber (Optional location)
6. Clearance lamps. Front (2) – Amber
- 6a. Clearance lamps. Front (2) – Amber (Optional location)
7. Side marker lamps. Rear (2) – Red
8. Side reflectors. Rear (2) – Red
9. Identification lamps. Rear (3) – Red
10. Clearance lamps. Rear (2) – Red
11. Reflectors Rear (2) – Red
12. Stop lamps. Rear (2) – Red
13. License plate lamp. Rear (1) – White
14. Backup lamp. Rear (1) – White (location optional provided optional requirements are met)
15. Side marker lamps. Intermediate (2) – Amber (if vehicle is 30' or more overall length)

image O_0249

(Figures 1.1, 1.2 and 1.3 for Illustration Purposes Only)



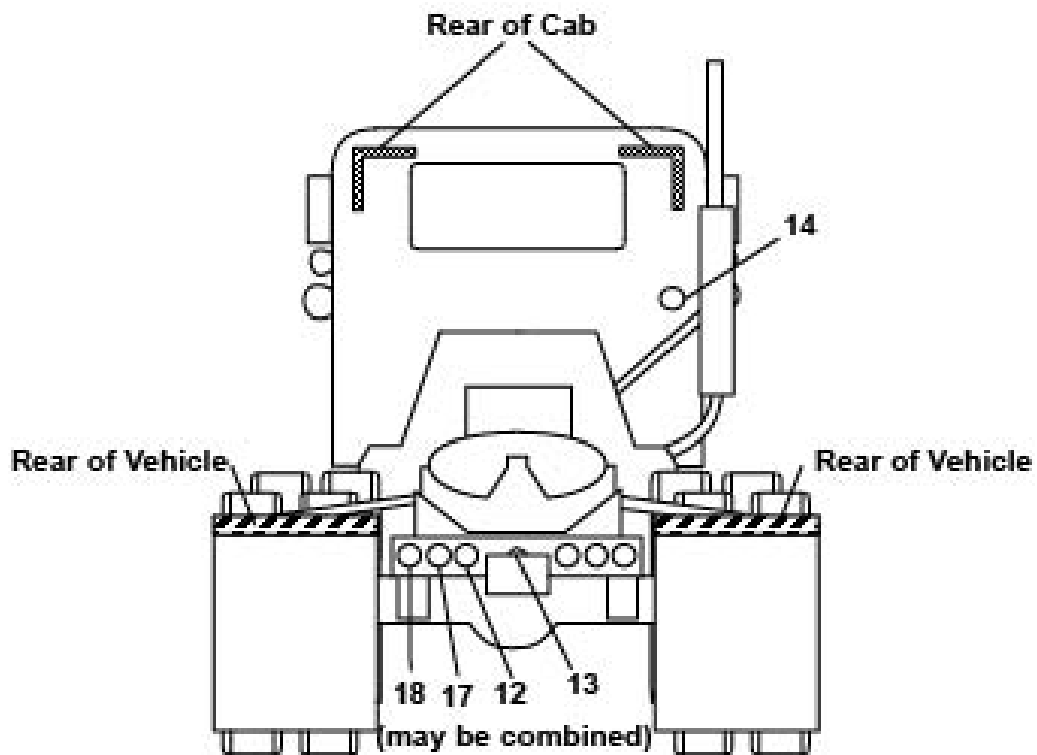
LEGEND

1. Headlamps (2) - White (4 optional)
2. Side marker lamps. Front (2) - Amber
3. Side reflectors. Front (2) - Amber
4. Turn signal lamps. Front (2) - Amber
5. Identification lamps. Front (3) - Amber
6. Clearance lamps. Front (2) - Amber
7. Side Marker Lamp, Intermediate (2) - Amber (if vehicle is 30' or more overall length)
8. Reflex Reflector Intermediate, Side (2) - Amber (if vehicle is 30' or more overall length)

Figure 1.2

O_0250

(Figures 1.1, 1.2 and 1.3 for Illustration Purposes Only)



LEGEND

- 12. Stop lamps. Rear (2) – Red
- 13. License plate lamp. Rear (1) – White
- 14. Backup lamp. Rear (1) – White (location optional provided optional requirements are met)
- 17. Turn signal lamps. Rear (2) – Amber or Red
- 18. Tail lamps. Rear (2) – Red

O_0251

Figure 1.3

Additional Requirements: EPA

EPA Part 205 Subpart B, CMVSS 1106 – Noise Emission For Medium And Heavy Trucks

INCOMPLETE VEHICLES identified as a CHASSIS CAB by Navistar, and all COMPLETE VEHICLES will comply with the requirements specified by EPA PART 205 SUBPART B and CMVSS 1106 provided that no changes are made to the noise generating and/or suppression equipment installed by Navistar.

EPA Part 86, CMVSS 1100 – Emission Control

Engines provided with International vehicles will comply with all applicable exhaust emission standards. Modifications to the vehicle and/or engine, which will cause noncompliance, are prohibited by the regulations. For further information see the vehicle operator's manual and the engine manual.

EPA Part 86, CFR 1037 – Vehicle Emission Controls

Vehicles manufactured by Navistar have been built to comply with all applicable vehicle emissions standards. Modifications to the vehicle which will cause noncompliance are prohibited by regulations. Refer to the Vehicle Emissions Control Information label on the vehicle for a list of Emissions reduction components. For further information, please review the vehicle operator's manual.

Replacement or Service Parts

The Motor Vehicle Safety Standards primarily specify the requirements and/or performance standards that a Complete Vehicle must comply with. However, certain specific components of the vehicle, when sold by a dealer or distributor as replacement or service parts, are required to comply with the requirements and/or performance standards specified by the standards. Certification of compliance must also be provided for these components. Those items that are subject to these standards are as follows:

- Windshield and window glass – FMVSS/CMVSS 205
- Seat belts – FMVSS/CMVSS 209
- Hydraulic brake hose – FMVSS/CMVSS 106
- Hydraulic brake fluids – FMVSS/CMVSS 116
- Lamps and reflective devices – FMVSS/CMVSS 108
- Warning devices – FMVSS 125 (Reflective Triangle)
- Tires and Wheels – FMVSS/CMVSS 119/120
- Platform Lift System – FMVSS 403

The standards require that all of the above items manufactured for sale, whether for use in the manufacture of a vehicle or for sale as parts, must comply with applicable provisions of the safety standards. Such items when sold by dealers or distributors must be labeled to certify compliance. Such labeling may be placed on the part itself or on the container in which the part is shipped.

The items listed above that are manufactured by or for Navistar, Inc. as service parts will comply with all applicable standards as required.

Certification of Incomplete Vehicles Manufactured by Navistar, Inc.

In accordance with the laws of the United States and Canada all vehicles manufactured for sale and sold for use in these countries must comply with the applicable federal safety standards and certification of compliance must be provided with the vehicle.

Section 567.3 of Title 49 of the CFR defines an **INCOMPLETE VEHICLE** as an assemblage consisting, at a minimum, of chassis (including the frame) structure, power train, steering system, suspension system, and braking system, in the state that those systems are to be part of the completed vehicle, but requires further manufacturing operations, to become a completed vehicle. For an **INCOMPLETE VEHICLE** manufactured by Navistar to be classified as a **COMPLETE VEHICLE**, subsequent manufactures must mount a body or other load carrying equipment on the chassis prior to delivery to the end user so that it can perform its intended function.

Incomplete Vehicle Manufacturer

DEFINITION

Section 567.3 of Title 49 of the CFR defines an Incomplete Vehicle Manufacturer as a person who manufactures an incomplete vehicle by assembling components none of which, taken separately, constitute an incomplete vehicle.

Compliance Responsibility

As manufactured by Navistar, an Incomplete Vehicle is built with all appropriate safety items that comply with the applicable regulatory requirements to the extent that the vehicle's state of completion will permit. To obtain a Complete Vehicle status under section 567.3 of Title 49 of the CFR, an Intermediate or Final-Stage Manufacturer must mount a body or other similar load carrying equipment on the chassis prior to delivery to the end user.

Navistar identifies an **INCOMPLETE VEHICLE** with one of the following designations depending on the vehicle's state of completion:

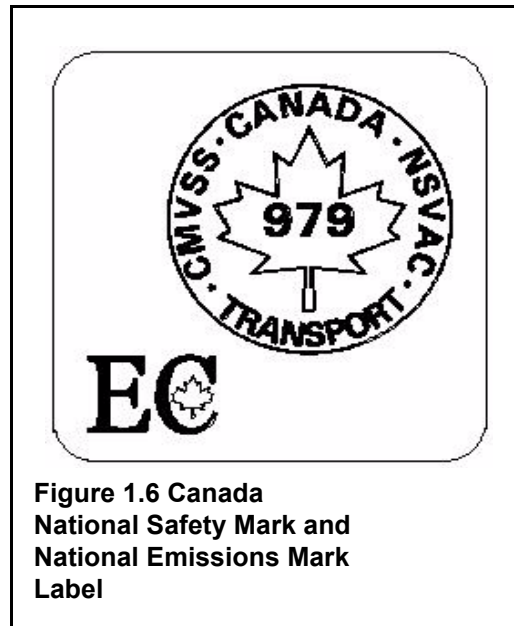
- Chassis Cab
- Partial Cab Truck
- Stripped Chassis

In accordance with section 568.4 of Title 49 of the CFR, Navistar furnishes an **INCOMPLETE VEHICLE** Document (IVD) with each **INCOMPLETE VEHICLE**. This document provides the following information:

- Name and mailing address of the **INCOMPLETE VEHICLE** manufacturer
- Date of manufacture
- Vehicle Identification Number
- GAWR (Gross Axle Weight Rating) for each axle of the intended **COMPLETE VEHICLE**
- GVWR (Gross Vehicle Weight Rating) of the intended **COMPLETE VEHICLE**

CANADA

All International Incomplete Vehicles sold in Canada will also have a Canada National Safety Mark and National Emissions Mark affixed to the vehicle (Figure 1.6).



Intermediate Manufacturer

DEFINITION

Section 567.3 of Title 49 of the CFR defines an INTERMEDIATE MANUFACTURER as a person, other than the Incomplete Vehicle Manufacturer or Final-Stage Manufacturer, who performs manufacturing operations on a vehicle manufactured in two or more stages.

COMPLIANCE RESPONSIBILITY

In accordance with section 568.4 of Title 49 of the CFR, Navistar furnishes an Incomplete Vehicle Document (IVD) with each incomplete vehicle. Navistar will also affix an Incomplete Vehicle Information Label to the hinge pillar, door latch post, or door edge that meets the door latch post, next to the drivers seating position as specified in section 567.5 of Title 49 of the CFR.

In accordance with section 568.5 of Title 49 of the CFR each intermediate manufacturer is required to provide an addendum to the IVD for any modification made by them to the incomplete vehicle that affects the validity of the compliance statements that appear in the IVD. The addendum must provide the name

and mailing address of the intermediate manufacturer and specify the changes that must be made to the IVD to reflect the modifications that they made to the vehicle.

The addendum shall contain a certification by the intermediate manufacturer that the statements contained in the addendum are accurate as of the date of manufacture by the intermediate manufacturer and can be used and relied on by any subsequent intermediate manufacturer(s) and the final-stage manufacturer as a basis for certification.

Final Stage Manufacturer

DEFINITION

As defined by section 567.3 of Title 49 of the CFR, a FINAL – STAGE MANUFACTURER is a person who performs such manufacturing operations on an incomplete vehicle that it becomes a complete vehicle.

COMPLIANCE RESPONSIBILITY

Section 568.6 of Title 49 of the CFR requires that the final – stage manufacturer shall complete the vehicle in such manner that it meets all applicable safety standards in effect on the date of manufacture of the incomplete vehicle, the date of final completion, or a date between these dates. It should be noted that a vehicle intended for use as a tractor, is not considered a complete vehicle until the fifth wheel has been installed. When completed, the tractor must comply with all applicable Motor Vehicle Safety Standards. Section 567.5 of Title 49 of the CFR stipulates that the Final-Stage Manufacturer is responsible for installing an appropriate certification label that must be securely and permanently affixed to the completed vehicle.

For those situations when an entity other than a Navistar facility certifies a completed vehicle, that entity becomes the Final – Stage Manufacturer and has the option to create its own label or purchase a label from International service parts. Labels purchased from service parts do not have the name of the Final - Stage Manufacturer and information about the vehicle. This information has been left blank. Final-Stage Manufacturers that utilize the appropriate label and protective cover (435654C2) and provide the required information comply with the requirements specified by Part 567 of Title 49 of the CFR. The label

(Figure 1.7) is referred to as a “Final-Stage Manufacturer Certification Label” and is identified with Navistar part number 436076C4 for a vehicle sold in the U.S. or 1698980C2 for a vehicle sold in Canada.

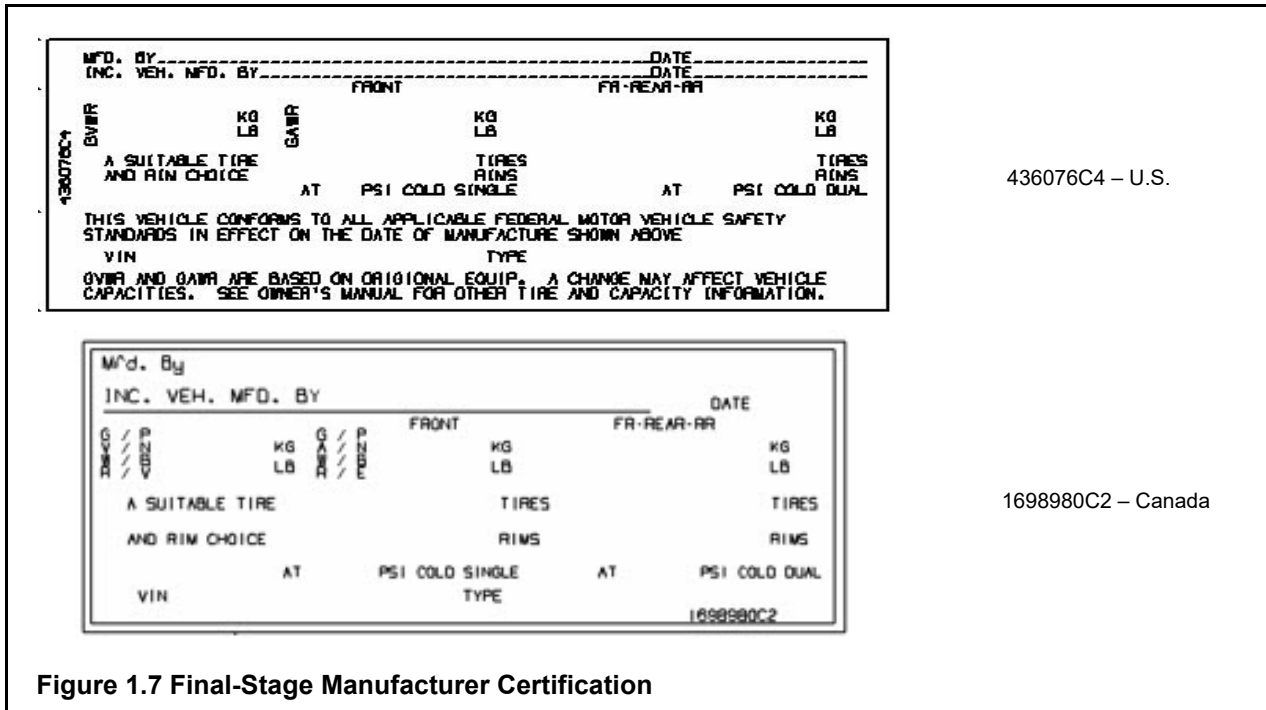


Figure 1.7 Final-Stage Manufacturer Certification

CANADA

Certified Final – Stage Manufacturers of Canadian vehicles may be required to affix the Canada National Safety Mark and National Emissions Mark with their identification number, next to the final certification label shown above. Such identification number must be obtained from the Minister of Transport at Transport Canada. (Figure 1.6 – “Canada National Safety Mark and National Emissions Mark.”)

Alterations to Completed Vehicles

DEFINITION

Section 567.3 of Title 49 of the CFR defines an Altered Vehicle as a completed vehicle previously certified in accordance with section 567.4 or 567.5 that has been altered other than by the addition, substitution, or removal of readily attachable components or by minor finishing operations, before the first purchase

of the vehicle other than for resale, in such a manner as may affect the conformity of the vehicle with one or more FMVSS or the validity of the vehicle's stated weight ratings or vehicle type classification.

COMPLIANCE RESPONSIBILITY

In accordance with section 567.7 of Title 49 of the CFR, if a person alters a certified vehicle before the first purchase of the vehicle other than for resale, the responsibility for compliance of the modified vehicle rests with the Alterer. The vehicle manufacturer's Certification Label and any Information Labels shall remain affixed to the vehicle and the alterer shall affix an additional certification label that will supplement the certification label originally furnished with the vehicle by Navistar or the Final – Stage Manufacturer. This certification label must state the following:

“This vehicle was altered by (name of Alterer) in (month and year in which alterations were completed) and as altered it conforms to all applicable Federal Motor Vehicle Safety, Bumper and Theft Prevention Standards affected by the alteration and in effect on the date of (no earlier than the date of manufacture of the certified vehicle as specified on the certification label and no later than the date alterations were completed).”

This label (Figure 1.8) is available from International service parts under Part No. 449893C5 for U.S. Certified Vehicles and Part No.1676840C3 for Canada Certified Vehicles. Protective cover 435654C2 should be installed over this label.

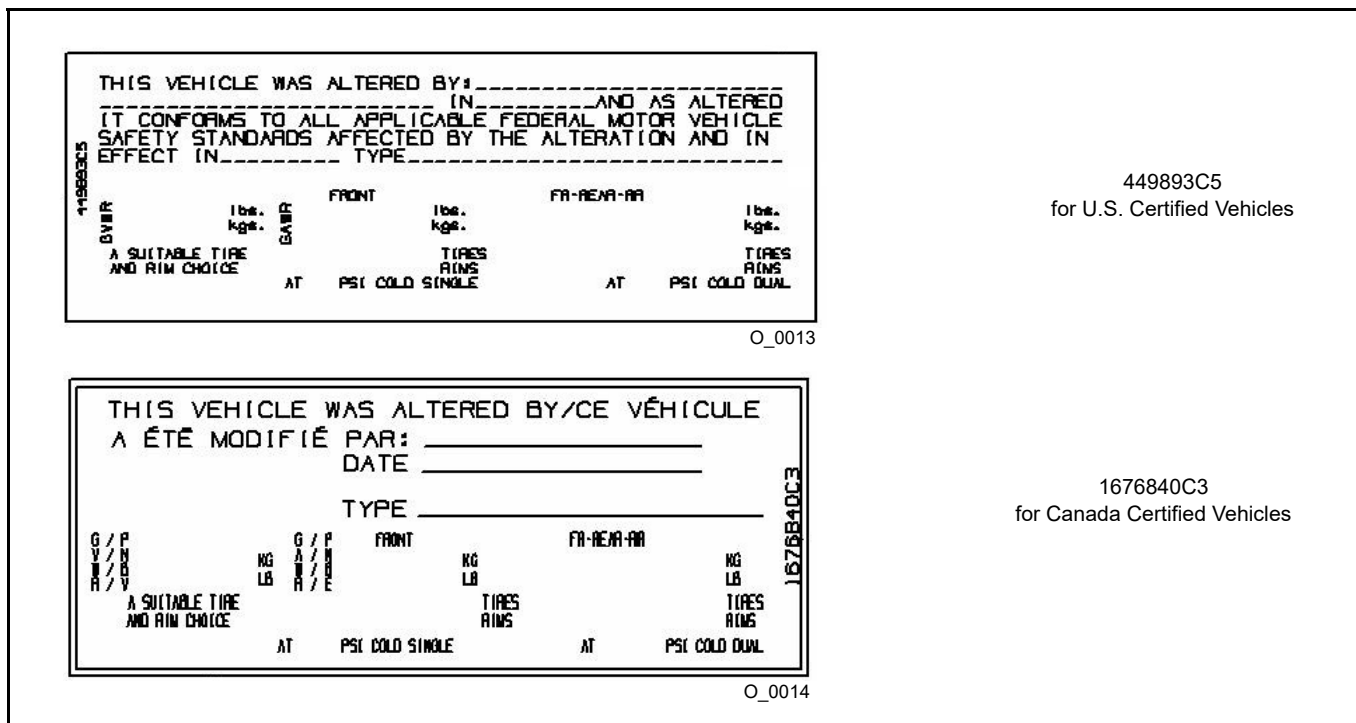


Figure 1.8 Vehicle Alterer Certification Label

Alterers of Canadian certified vehicles may be required to affix the Canada National Safety Mark and National Emissions Mark, with their identification number, next to the Vehicle Alterer Certification label. Such identification number must be obtained from the Minister of Transport at Transport Canada. (Figure 1.6 – Canada National Safety Mark and National Emissions Mark.)

Exterior Noise Certification Label

Incomplete vehicles identified as chassis cabs, by Navistar, have the Vehicle Exterior Noise Label (Figure 1.9) permanently attached in a readily visible position in the operator's compartment. For incomplete vehicles other than a chassis cab, the final-stage manufacturer must assume responsibility and comply with EPA PART 205 SUBPART B, and CMVSS 1106 – NOISE EMISSION FOR MEDIUM AND HEAVY TRUCKS.

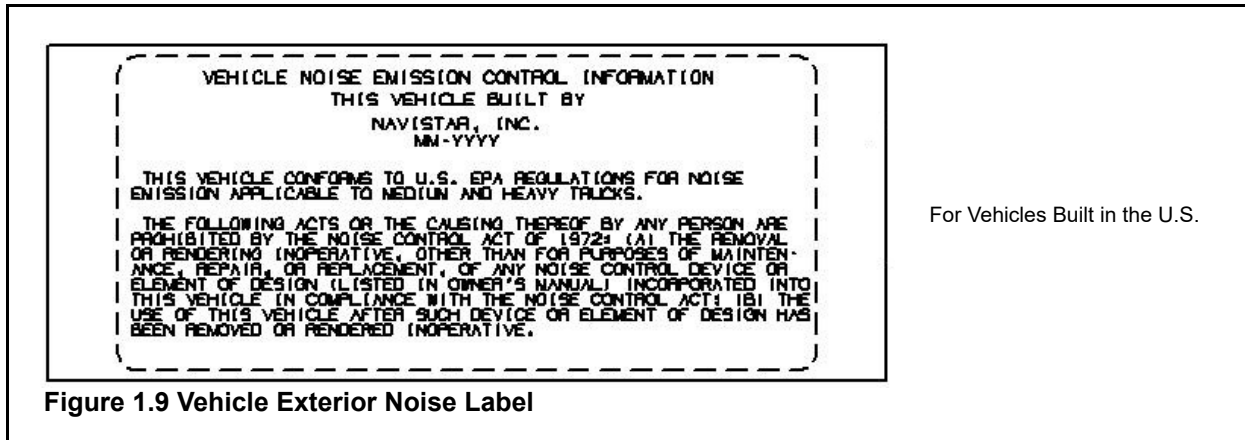


Figure 1.9 Vehicle Exterior Noise Label

Additional Certification Label Information and Instructions

1. All labels must be fully filled out.
2. All labels must be affixed to the vehicle in accordance with Sections 567 of Title 49 of the CFR or Canada Motor Vehicle Safety Regulations, Sections 6 and 7.
3. No label shall be installed over another label.
4. It is unlawful to affix an incorrect certification label to a vehicle.

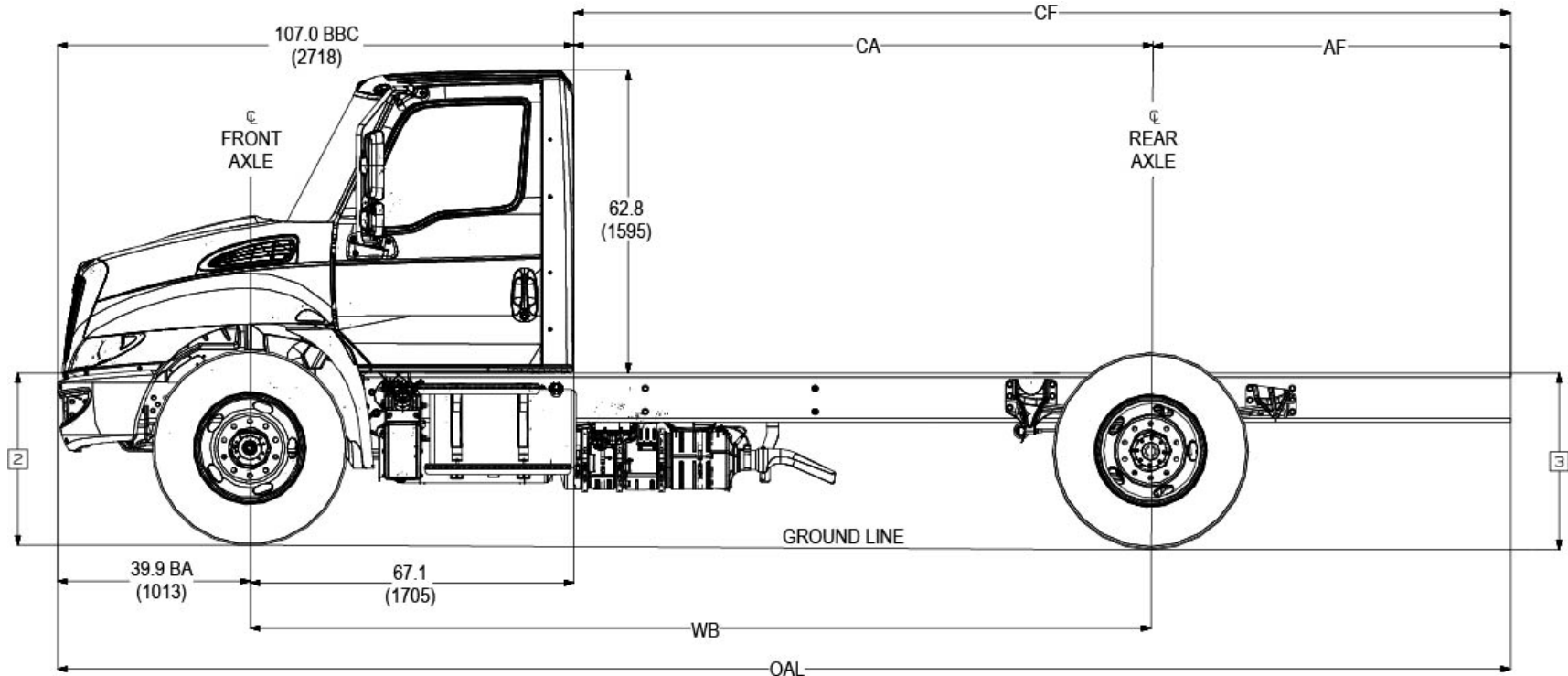
CHASSIS DIAGRAMS

MV607 4x2

Chassis Diagram

Side View – Day Cab

Low cab is shown below. For additional cab height data, see page 16-6.



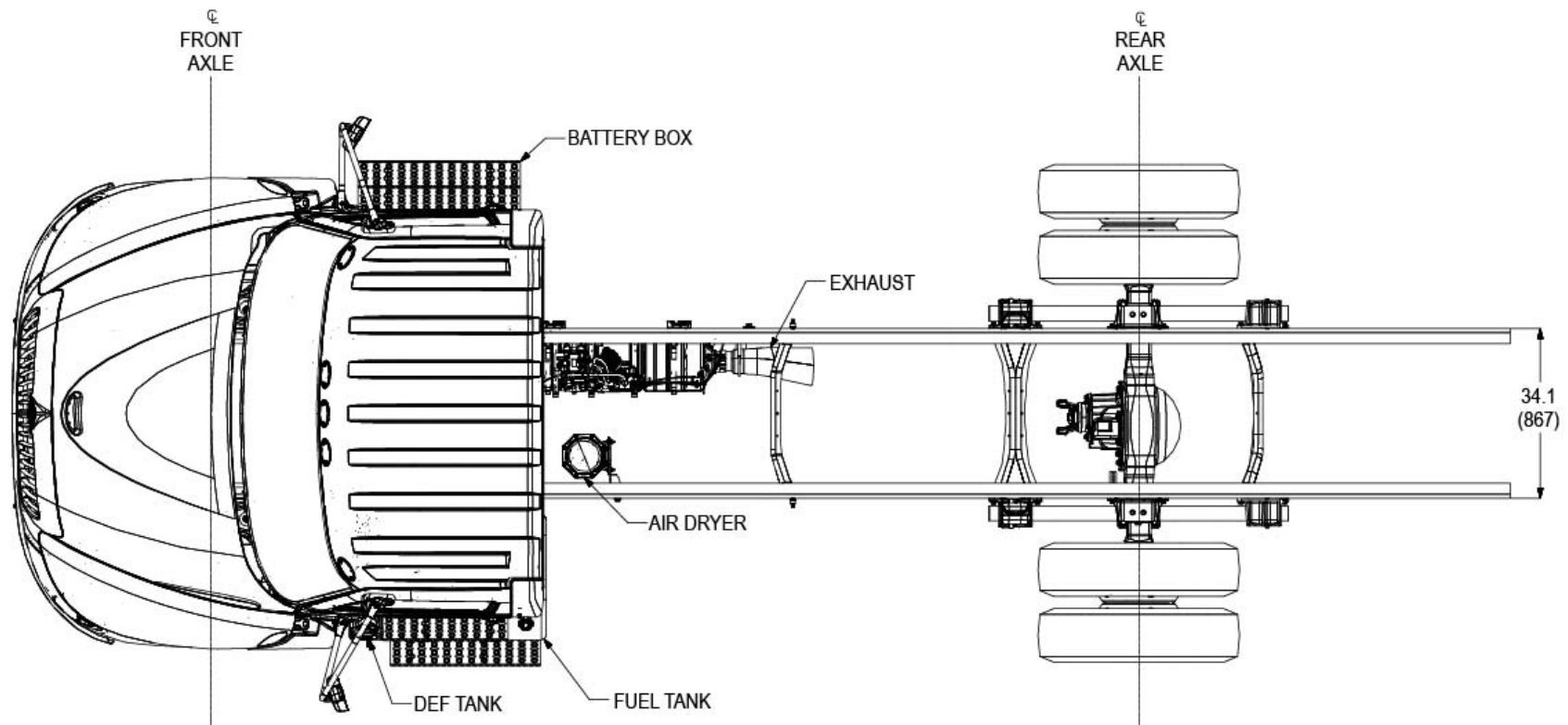
MV607_day_cab_lsv

Frame height values represent standard equipment and are intended for reference only. To compute actual frame height, refer to the frame height calculation section beginning on page 49.

[2] Frame Height at centerline of front axle: unloaded - 33.69", loaded - 31.73"

[3] Frame Height at centerline of rear axle: unloaded - 35.56", loaded - 32.02"

NOTE: Due to internal spring friction and manufacturing tolerances, these values may vary up to 0.5 inches. To achieve these nominal values directly after loading or unloading a vehicle, it may be necessary to drive the vehicle for a short period.

MV607 4x2**Chassis Diagram****Plan View – Day Cab**

MV607_day_cab_plan

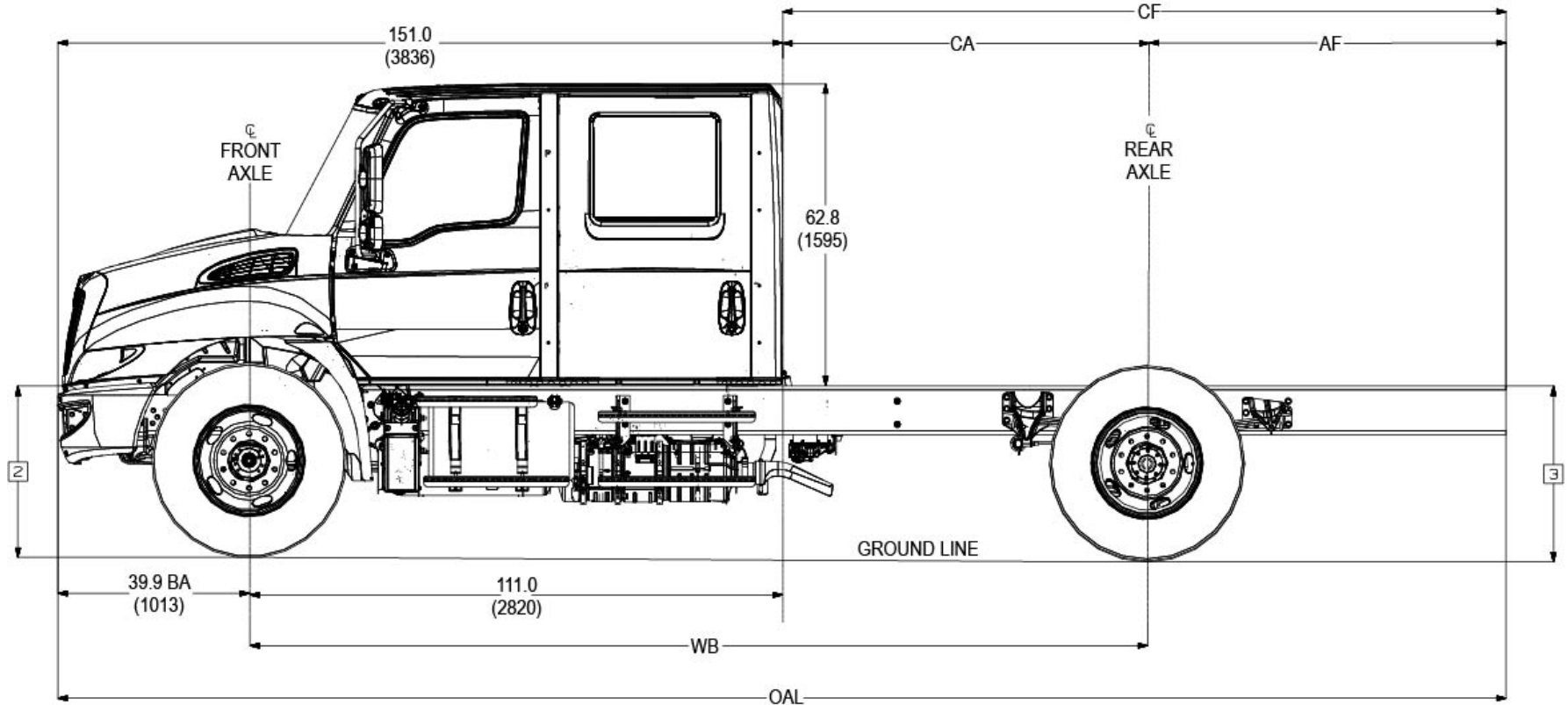
NOTE: This drawing *should not* be used to determine crossmember locations – this information can be found later in this book.

MV607 4x2

Chassis Diagram

Side View – Crew Cab

Low cab is shown below. For additional cab height data, see page 16-6.



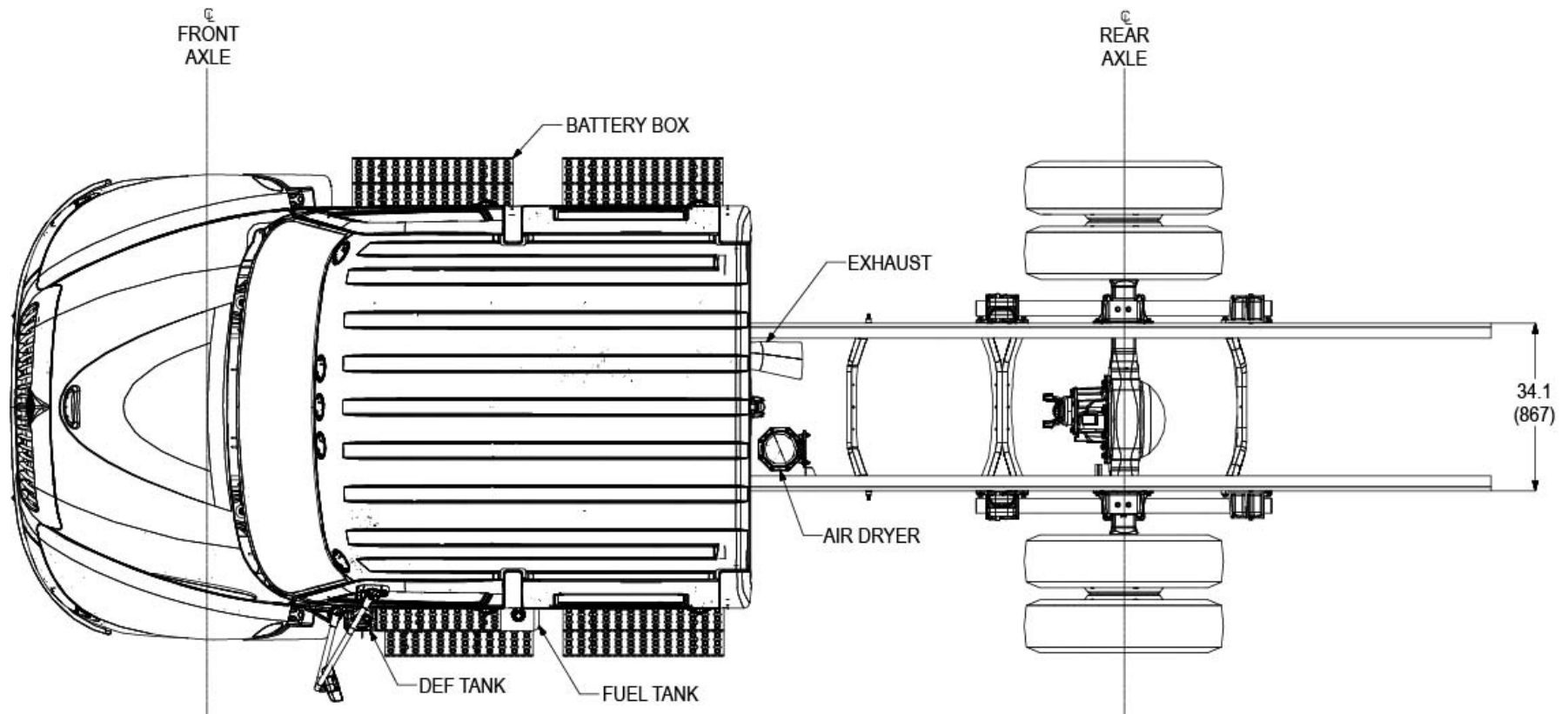
MV607_crew_cab_lsv

Frame height values represent standard equipment and are intended for reference only. To compute actual frame height, refer to the frame height calculation section beginning on page 49.

[2] Frame Height at centerline of front axle: unloaded - 33.69", loaded - 31.73"

[3] Frame Height at centerline of rear axle: unloaded - 35.56", loaded - 32.02"

NOTE: Due to internal spring friction and manufacturing tolerances, these values may vary up to 0.5 inches. To achieve these nominal values directly after loading or unloading a vehicle, it may be necessary to drive the vehicle for a short period.

*MV607 4x2**Chassis Diagram**Plan View – Crew Cab*

MV607_crew_cab_plan

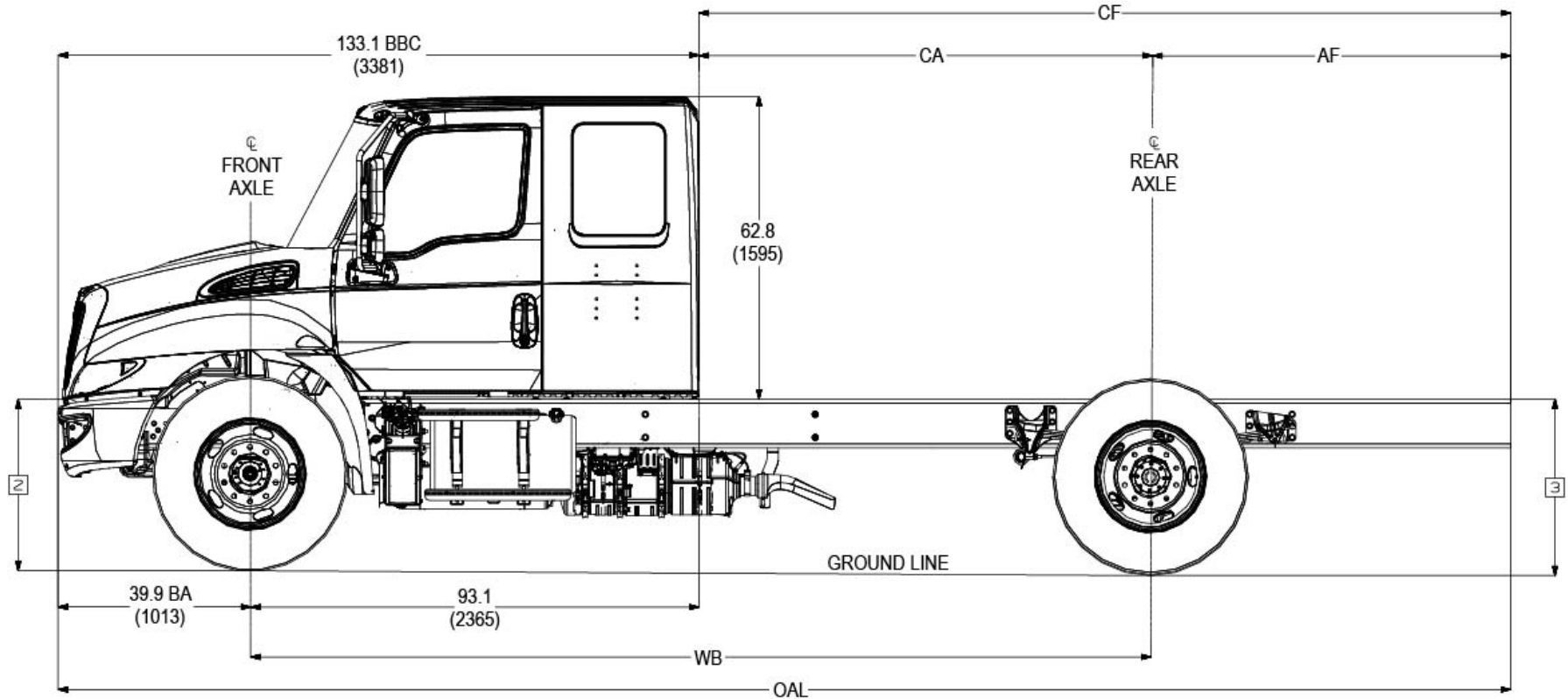
NOTE: This drawing *should not* be used to determine crossmember locations – this information can be found later in this book.

MV607 4x2

Chassis Diagram

Side View – Extended Cab

Low cab is shown below. For additional cab height data, see page 16-6.



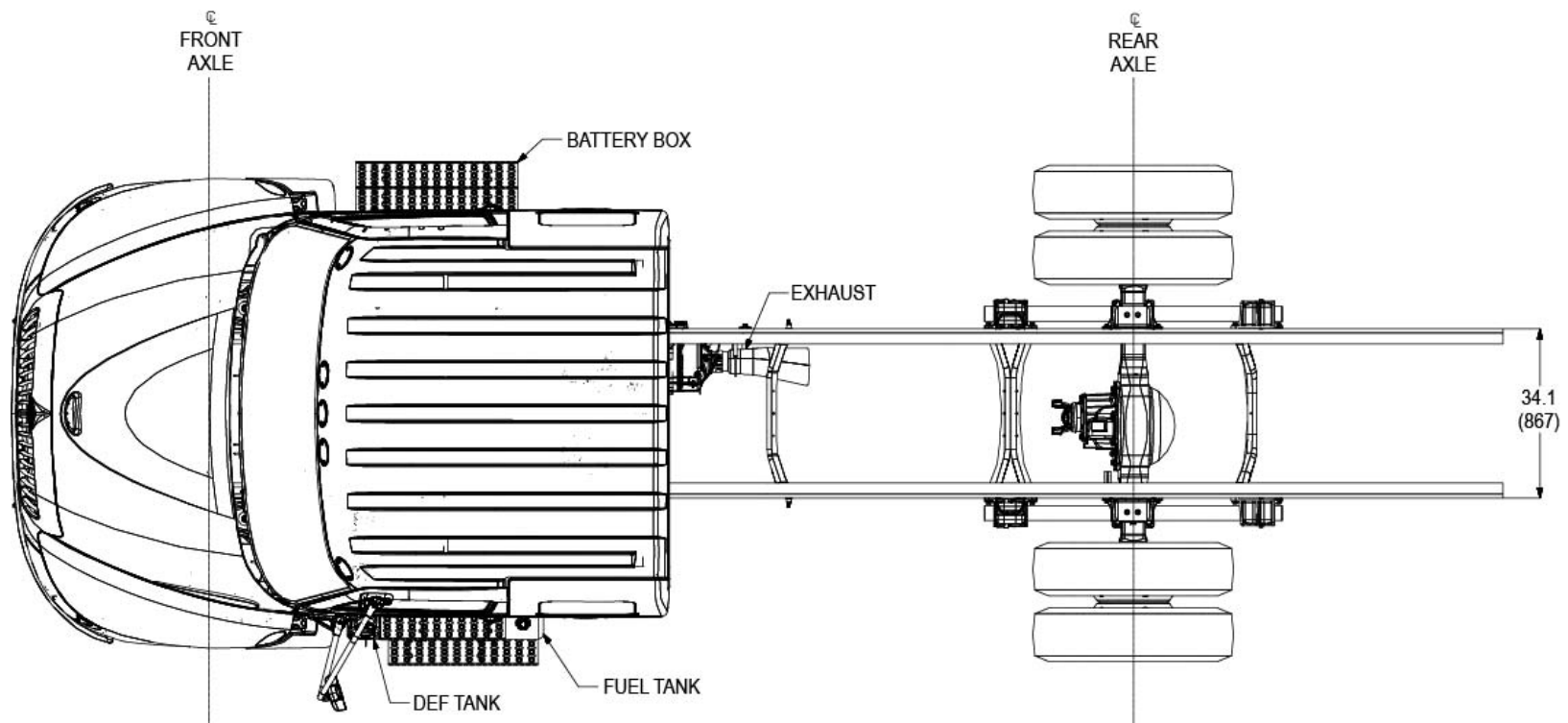
MV607_ext_cab_lsv

Frame height values represent standard equipment and are intended for reference only. To compute actual frame height, refer to the frame height calculation section beginning on page 49.

[2] Frame Height at centerline of front axle: unloaded – 33.69", loaded – 31.73"

[3] Frame Height at centerline of rear axle: unloaded – 35.56", loaded – 32.02"

NOTE: Due to internal spring friction and manufacturing tolerances, these values may vary up to 0.5 inches. To achieve these nominal values directly after loading or unloading a vehicle, it may be necessary to drive the vehicle for a short period.

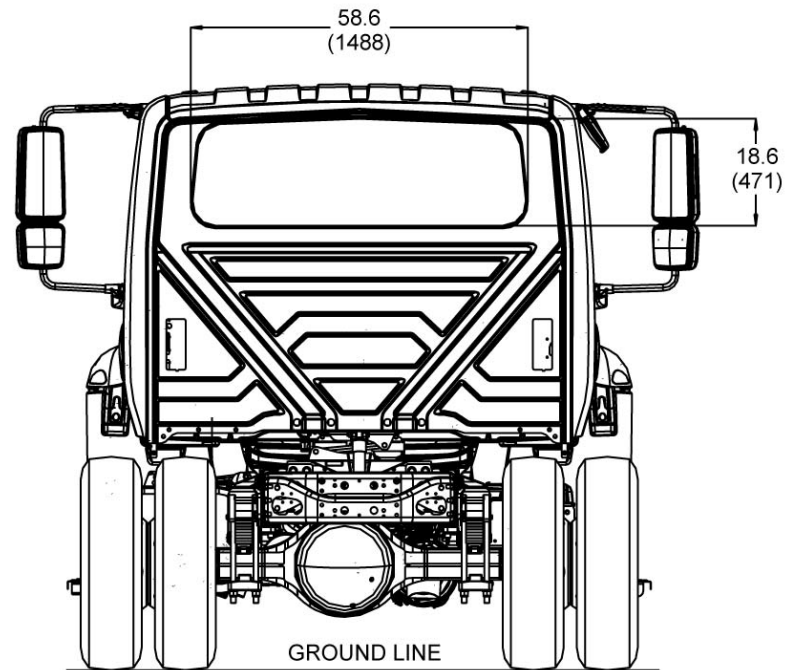
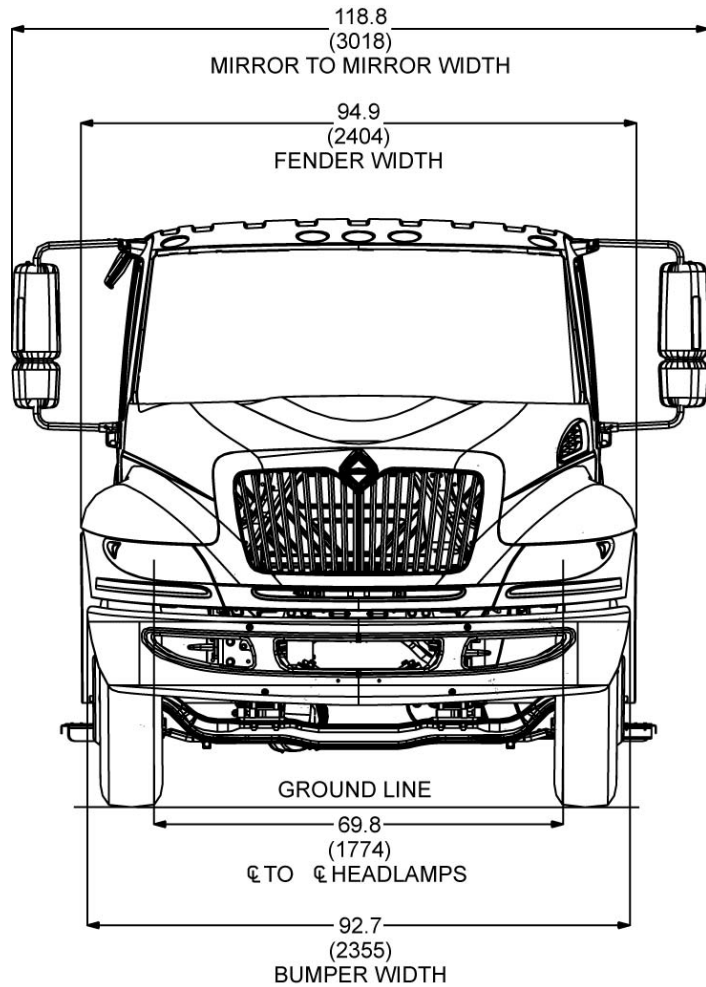
MV607 4x2**Chassis Diagram****Plan View – Extended Cab**

MV607_ext_cab_plan

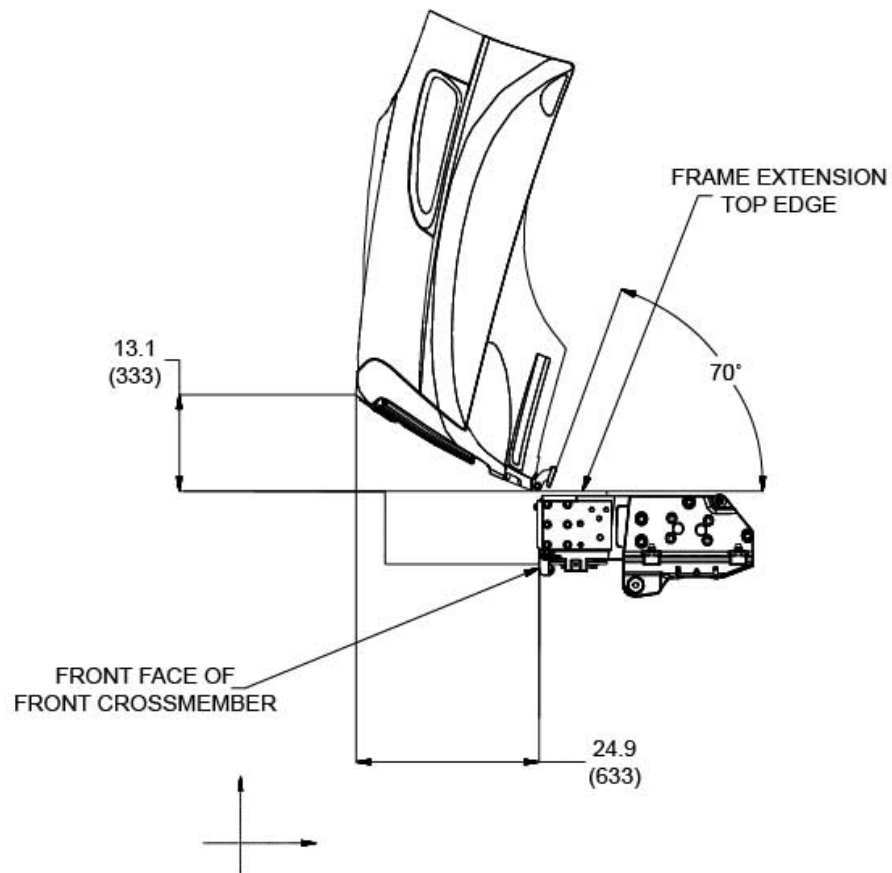
NOTE: This drawing *should not* be used to determine crossmember locations – this information can be found later in this book.

FRONT AND REAR VIEW

All Models



MV_front_rear

*HOOD TILT**All Models*

MV_hood_tilt

NOTE:-A fixed grill is not available on models with a Mid-High Cab and Front Frame Extensions configuration.
-A fixed grill is available on models with a Low-Cab configuration.
-The above image details the available space above the rail for component mounting.

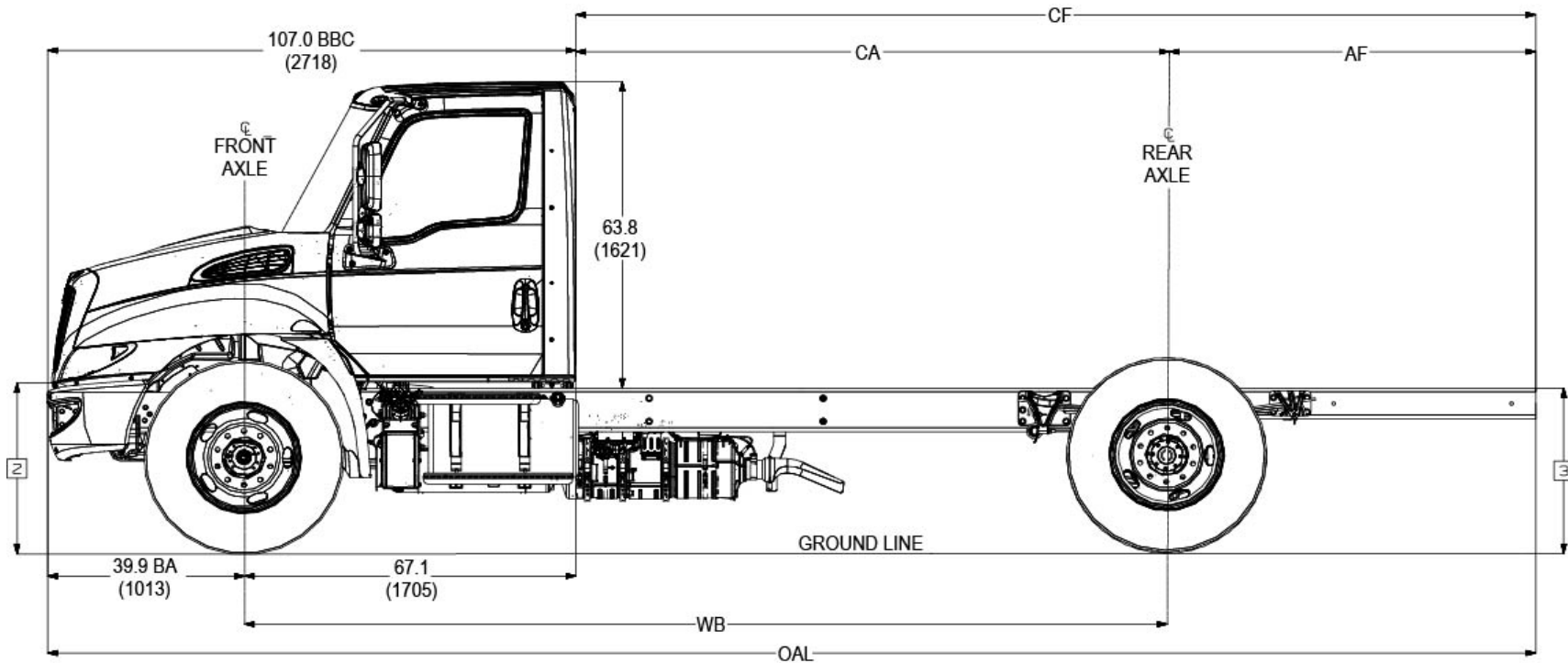
CHASSIS DIAGRAMS

MV60H LP 4x2

Chassis Diagram

Side View – Day Cab

Low cab is shown below. For additional cab height data, see page 16-6.



MV60H_day_cab_lsv

Frame height values represent standard equipment and are intended for reference only. To compute actual frame height, refer to the frame height calculation section beginning on page 49.

[2] Frame Height at centerline of front axle: unloaded - 33.69", loaded - 31.73"

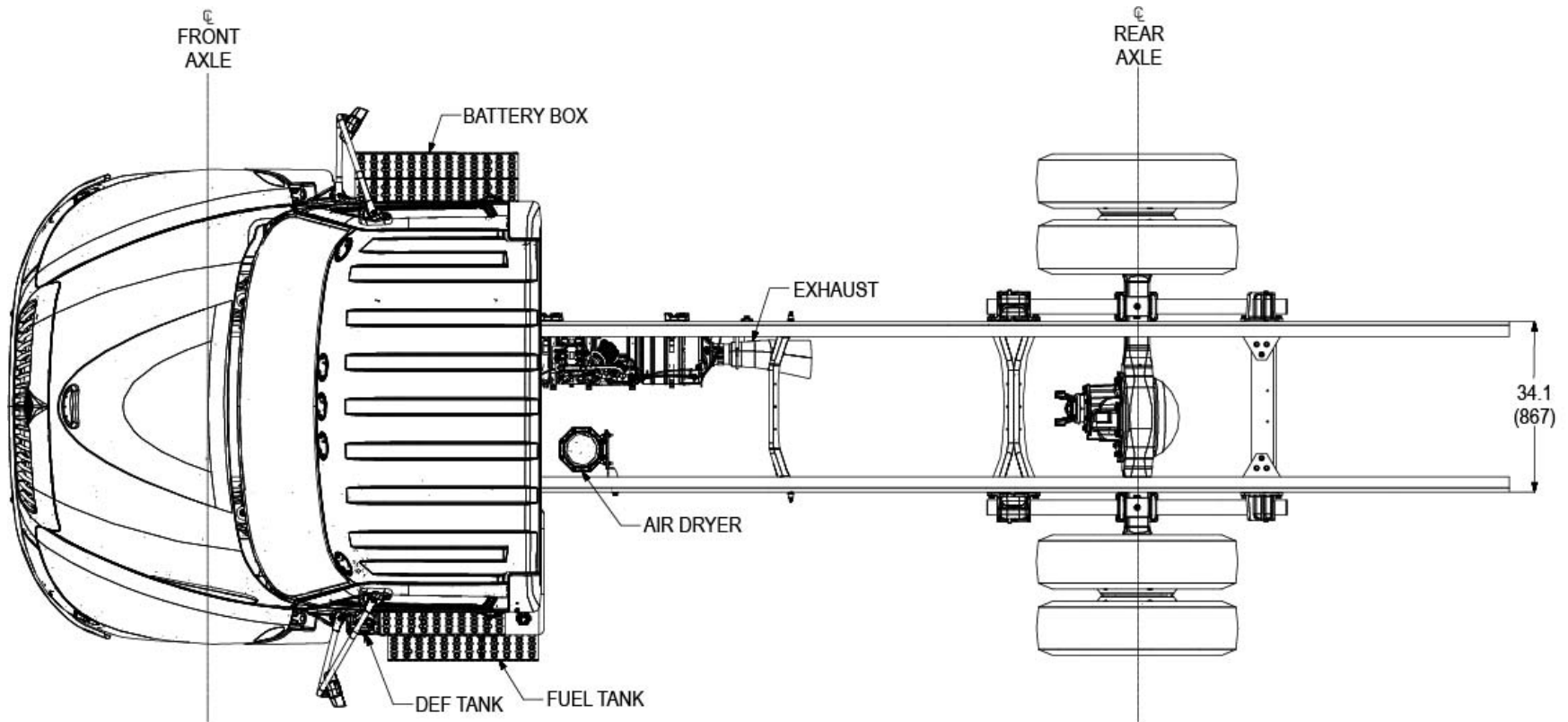
[3] Frame Height at centerline of rear axle: unloaded - 35.56", loaded - 32.02"

NOTE: Due to internal spring friction and manufacturing tolerances, these values may vary up to 0.5 inches. To achieve these nominal values directly after loading or unloading a vehicle, it may be necessary to drive the vehicle for a short period.

MV60H LP 4x2

Chassis Diagram

Plan View – Day Cab



MV60H_day_cab_plan

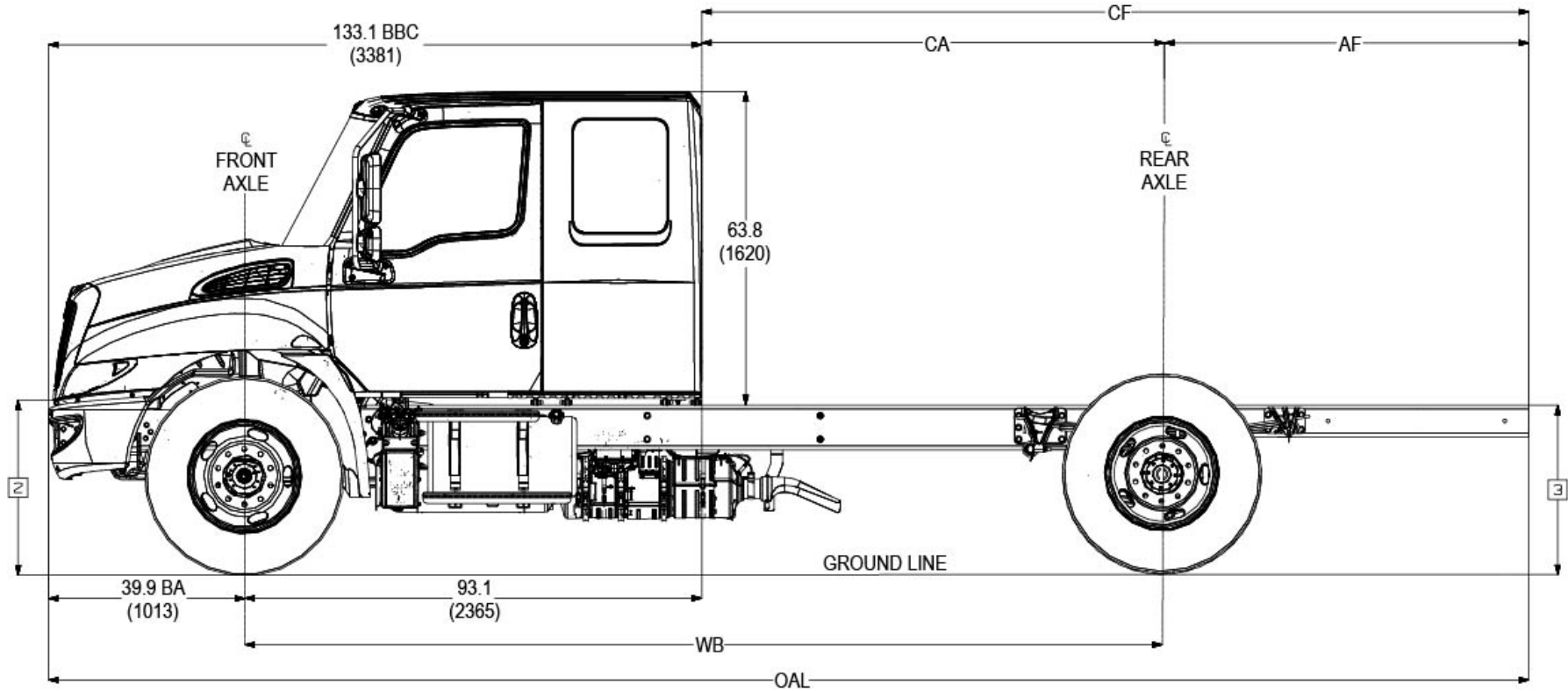
NOTE: This drawing *should not* be used to determine crossmember locations – this information can be found later in this book.

MV60H LP 4x2

Chassis Diagram

Side View – Extended Cab

Low cab is shown below. For additional cab height data, see page 16-6.



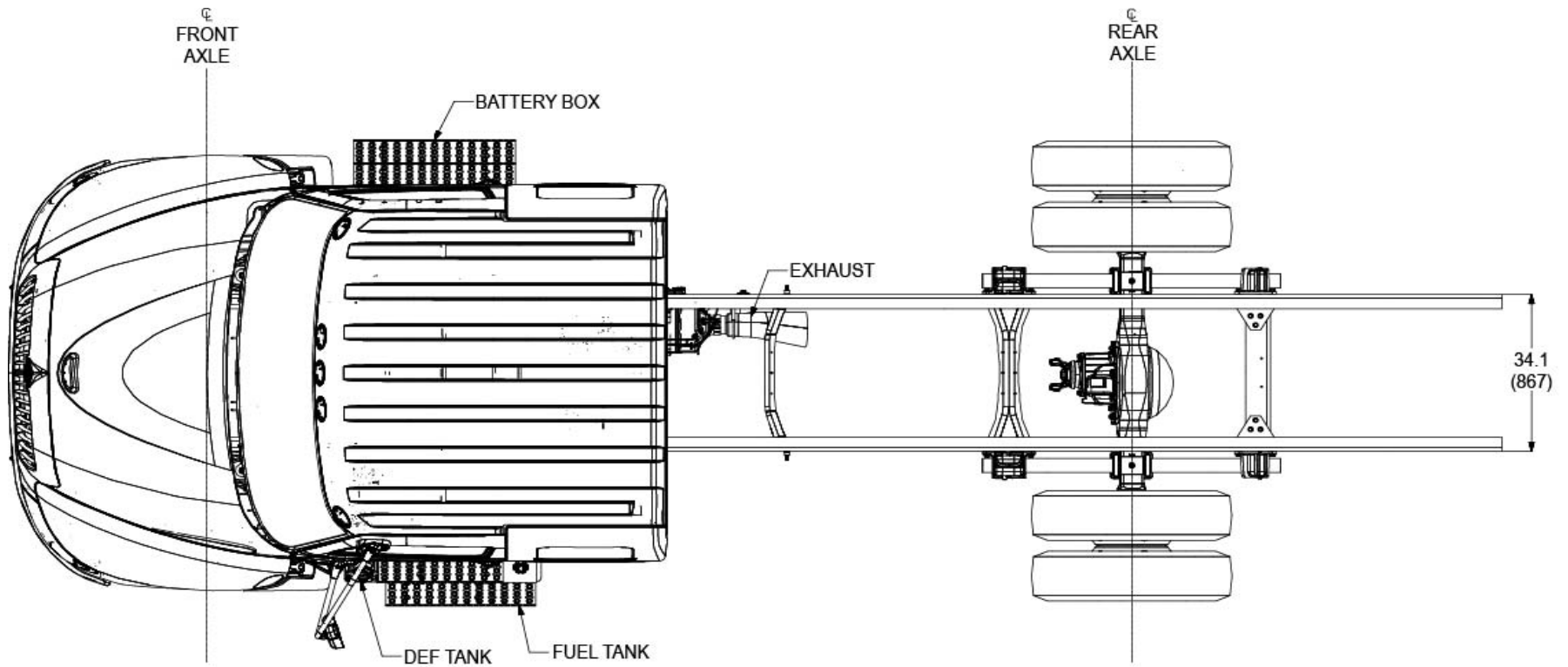
MV60H_ext_cab_lsv

Frame height values represent standard equipment and are intended for reference only. To compute actual frame height, refer to the frame height calculation section beginning on page 49.

[2] Frame Height at centerline of front axle: unloaded – 33.69", loaded – 31.73"

[3] Frame Height at centerline of rear axle: unloaded – 35.56", loaded – 32.02"

NOTE: Due to internal spring friction and manufacturing tolerances, these values may vary up to 0.5 inches. To achieve these nominal values directly after loading or unloading a vehicle, it may be necessary to drive the vehicle for a short period.

MV60H LP 4x2**Chassis Diagram****Plan View – Extended Cab**

MV60H_ext_cab_plan

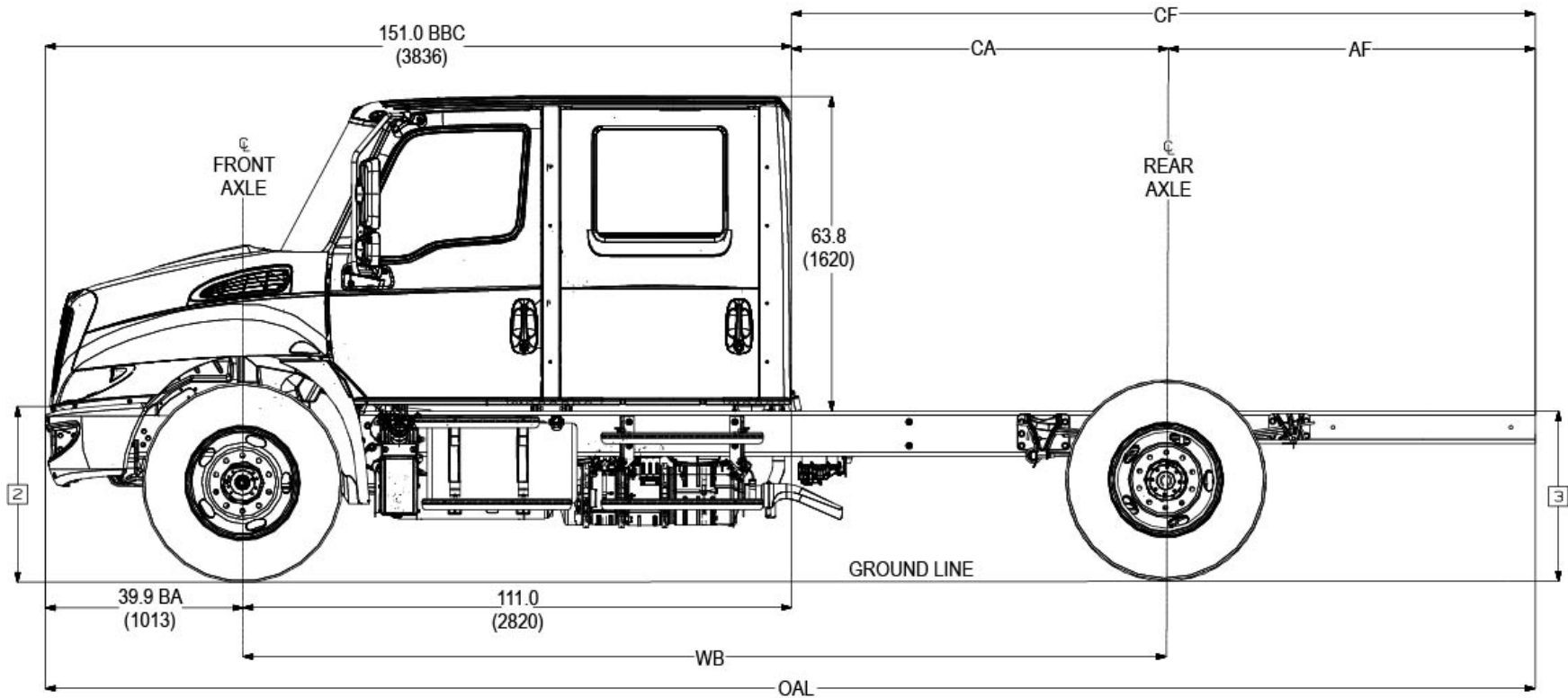
NOTE: This drawing *should not* be used to determine crossmember locations – this information can be found later in this book.

MV60H LP 4x2

Chassis Diagram

Side View – Crew Cab

Low cab is shown below. For additional cab height data, see page 16-6.



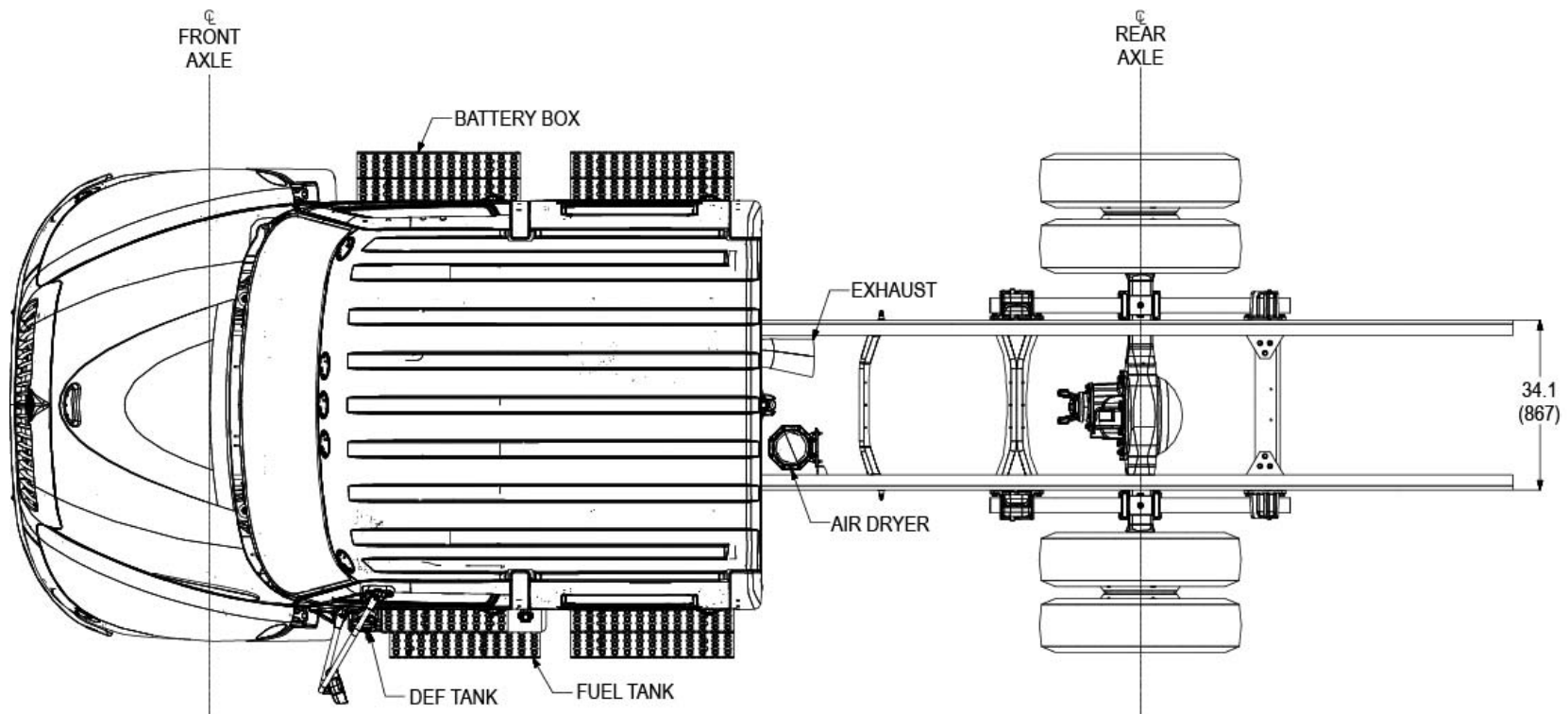
MV60H_crew_cab_lsv

Frame height values represent standard equipment and are intended for reference only. To compute actual frame height, refer to the frame height calculation section beginning on page 49.

[2] Frame Height at centerline of front axle: unloaded – 33.69", loaded – 31.73"

[3] Frame Height at centerline of rear axle: unloaded – 35.56", loaded – 32.02"

NOTE: Due to internal spring friction and manufacturing tolerances, these values may vary up to 0.5 inches. To achieve these nominal values directly after loading or unloading a vehicle, it may be necessary to drive the vehicle for a short period.

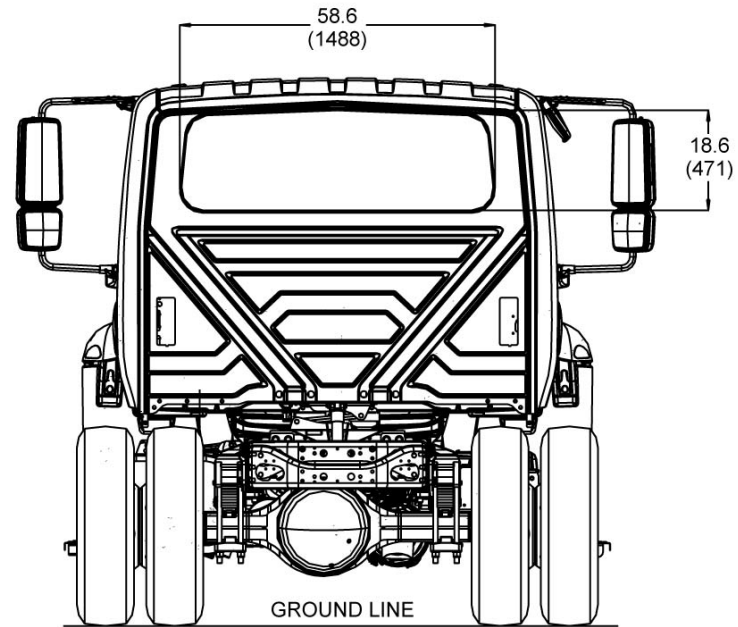
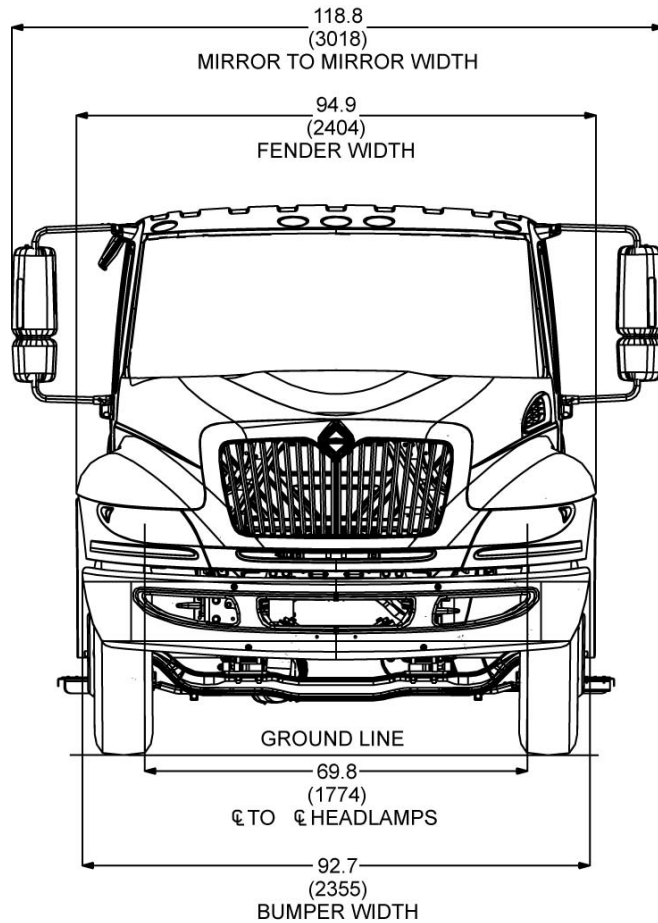
MV60H LP 4x2**Chassis Diagram****Plan View – Crew Cab**

MV60H_crew_cab_plan.

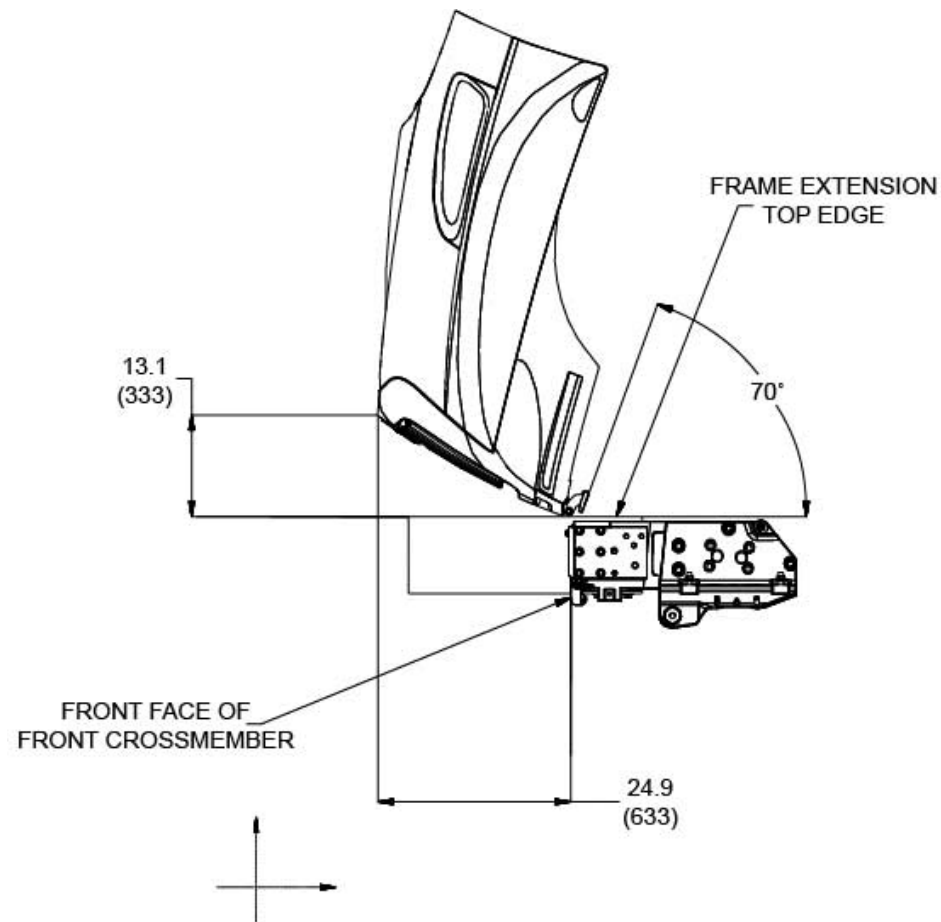
NOTE: This drawing *should not* be used to determine crossmember locations – this information can be found later in this book.

FRONT AND REAR VIEW

All Models



MV_front_rear

*HOOD TILT**All Models*

MV_hood_tilt

NOTE: -A fixed grill is not available on models with a Mid-High Cab and Front Frame Extensions configuration.
-A fixed grill is available on models with a Low-Cab configuration.
-The above image details the available space above the rail for component mounting.

FRAMES

GENERAL FRAME INFORMATION

Introduction

The frame is the structure that carries and supports the rated load under anticipated driving conditions and secures the major components of a vehicle in their relative positions. The frame assembly consists of two sidemembers and depending upon the length of the frame, five or more crossmembers.u01

General Frame Recommendations

It is very important that the frame be inspected periodically for cracks, buckling, crossmember loosening or other damage that may cause eventual failure of the frame. Additional inspections should be made whenever the chassis has been overloaded or involved in an accident. An alignment check IS NOT SUFFICIENT since local cracks, crossmember loosening or sidemember buckling will not necessarily cause misalignment.

On reinforced sidemember sections, when cracks exist in either of the sidemember sections, the members must be separated for repair. After separation follow the procedures for non-reinforced sections. The two sidemember sections MUST NOT be welded together. After the weld repairs, the sections should be reinforced with the appropriate section and re-assembled with mounting bolts tightened to SAE Grade 8 torque levels.

Drilling or Notching

Sidemembers should not be drilled or notched without approval from Navistar Engineering. Do not exceed the maximum allowable sidemember hole size in the unrestricted zones. For illustrations, see the Frame Drilling Restrictions later in this book.

Welding or Flame Cutting

Welding or flame cutting of the frame components is unacceptable because of the associated loss of fatigue strength. This restriction applies not only to the heat-treated components, but also the high strength low alloy (HSLA) and low carbon steel components.

Exceptions to this are cases with Navistar Engineering approval or for repair operations as described in this service manual section.

To avoid serious personal injury, death or possible engine damage, when welding or using an acetylene torch always wear welding goggles and gloves. Insure that acetylene and oxygen tanks are separated by a metal shield and are chained to a cart. Do not weld or heat areas near fuel tanks or fuel lines. Utilize proper shielding around hydraulic lines.

IDENTIFICATION OF FRAME RAIL MATERIAL

Reinforcement to Increase Capacity

Reinforcement of the chassis frame to support either additional loading or concentrated loading does not increase vehicle load carrying capacity unless it has been fully verified that all other vehicle components, such as the brake system, steering system, suspension system, etc. can properly and safely support the increased loading.

Increase in Local Stress

In any modification of the chassis frame, the addition of holes, reinforcements, welds, clamps, splices, etc., may cause an increase in the local stress in the frame at the point of the modification, **THEREFORE CAUSING A STRESS CONCENTRATION IN THE FRAME SIDEMEMBER(S)**.

These local stress concentrations can significantly affect the life of the chassis frame. The specific effect which the stress concentrator will have on the life of the chassis frame is influenced by the location of the stress concentration, the frequency and severity of the loading, and the magnitude of stress concentration.

Deviation from the repair procedures in this section may void manufacturer's warranty.

IDENTIFICATION OF FRAME RAIL MATERIAL

International® chassis are manufactured with frame rails of different alloy steels and some are heat-treated. Each material must be handled in a specific manner to assure maximum service life; therefore, the frame material must be determined before attempting repair or modification.

International chassis are presently manufactured with frame rails of:

- High strength low alloy (HSLA) steel (50,000, 60,000 and 80,000 PSI yield strength)
- Heat treated steel (110,000 and 120,000 psi yield strength).

Each type has different repair procedures. The frame rail material can be determined by inspecting the frame and consulting the dealer vehicle lineset ticket and the sales data book.

Heat-treated rails are marked on the inside of the section with a decal which cautions against welding, flame cutting or the addition of holes in critical zones. These practices are restricted for all frame rails, however, **HEAT-TREATED** rails are much more sensitive to these alterations.

FRAME DAMAGE

The major sources of frame damage are accidents, overloading the vehicle, and local overstressing due to a variety of causes. In accident cases, the reasons for the damage are readily apparent. Such damage may often be repaired by:

- Straightening and reinforcing the frame.
- Repairing the damaged area and reinforcing the frame sidemember.
- Replacing the frame sidemembers and crossmembers.

Damage to the chassis frame, such as a crack in the frame sidemember or crossmember, which is not associated with impact damage, may be an indication of overloading the vehicle. Damage to the chassis frame may also be an indication of the creation of locally high stresses due to operating conditions or equipment mounting practices. Examples of overloading are:

1. Exceeding either the gross vehicle weight rating (GVWR) or the gross axle weight rating (GAWR) (loading the frame beyond its design capacity).
2. Uneven load distribution.
3. Improper fifth wheel settings.
4. Using the vehicle in operating conditions or with equipment it was not designed for.

Examples of creation of locally high stresses are:

1. Mounting bodies or equipment in a manner that causes stress concentrations and/or abrasive wear in either the flange or web portion of the sidemember.
2. Improper modification or repair of frame components.
3. Equipment which is susceptible to resonant vibration due to excess flexibility of its mounting.

Frame damage may also be caused by corrosion resulting from the contact between dissimilar metals.

Damage to the chassis frame, which is not associated with impact damage, should not be repaired until the cause of the damage has been determined and corrective actions taken to prevent re-occurrence of the non-impact damage.

WELDING AND REINFORCEMENT

The guidelines below deal with the general procedures for weld repair and reinforcement. Because of the many variables associated with these repairs, it is recommended that your field service representative be consulted prior to undertaking the repair. This will also help to determine whether a specific set of recommendations has already been developed for the case in question.

The essential elements of repairing the sidemembers are the restoring of BOTH the shape and local strength so that the load capacity is at least as good as before the damage occurred. The sidemembers may *look* like new, but may have local strength reduction due to small cracks or material strength reduction. Even if the frame has acceptable alignment and there is no gross deformation, local deformations may reduce the strength in the area to be weld repaired. Examples of this are local bulges in the web (vertical portion) of the section and buckling of the flanges. These local deformations must be repaired by straightening before proceeding with the weld repair.

Welding Precautions

When welding on any vehicle, care must be taken to prevent damage to the electronic components. Vehicles with ELECTRONIC ENGINE CONTROL SYSTEMS require additional precautions.

CAUTION: On any vehicle, disconnect both the positive and negative battery cables from the battery before welding on the vehicle. Attach the welder ground cable as close as possible to the part being welded.

To avoid serious personal injury, death or possible engine damage, when welding or using an acetylene torch always wear welding goggles and gloves. Insure that acetylene and oxygen tanks are separated by a metal shield and are chained to a cart. Do not weld or heat areas near fuel tanks or fuel lines. Utilize proper shielding around hydraulic lines.

With an electronic engine controller (such as Celect), do not connect the ground cable to the control module(s) or the cooling plate. To protect the control module(s), it is mandatory to remove all connectors going to the control modules.

The following is a general guideline for the steel frames:

Welding of the HSLA (50,000, 60,000 and 80,000 PSI yield strength) steel side member and the heat-treated (110,000 and 120,000 PSI yield strength) steel sidemember involves a significant reduction in the strength of the frame in the heat affected zones of the weldment. This means that the frame in the welded region is no longer capable of carrying the same load or stress as the original section.

To restore the strength of the frame rails after welding, the welded area must be reinforced using reinforcements as indicated in “Repair and Reinforcement Recommended Procedures”.

Welding must be done properly to make an effective repair. Therefore, only those who are properly trained and qualified should perform the welding repairs in this section.

Reinforcement

Reinforcements (Figure 2.1) to increase load capacity are generally “full length”. The actual length of the reinforcement varies with the model. Shorter, (approximately 7') rear suspension tandem liner reinforcements are available for some tractor models. Inverted “L” and “C” channel reinforcements are available for most models. For models which do not have reinforcements necessary to contact Sales Engineering to obtain reinforcement recommendations.

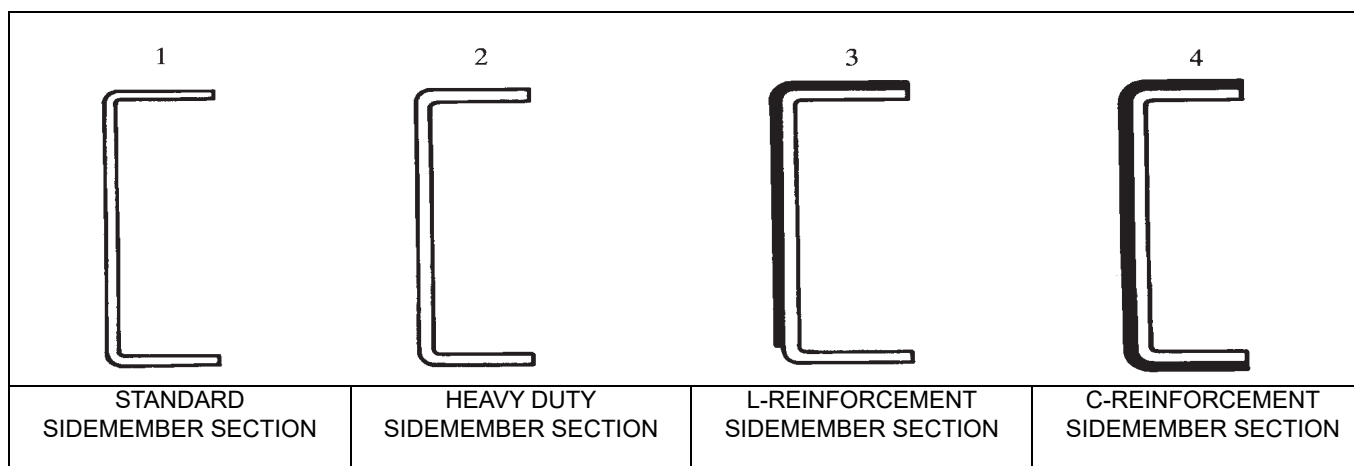


Figure 2.1 Frame Rails and Reinforcements (Typical)

01_0011

These reinforcements are generally installed on the outside of the sidemember, although certain models require “C” channel reinforcements installed to the inside of the sidemember. Contact your International[®] Truck dealer regarding the required type of reinforcement.

Depending on model application, there will be other parts affected, such as spring brackets for example, which are bolted to the flange as well as the web of the sidemember. To maintain proper alignment of the springs, these brackets may require replacement with new brackets designed to accept the reinforcements. These brackets are available through your International Truck dealer parts department.

NOTE:When an inside reinforcement is added, the lengths of the crossmembers will be affected.

Reinforcement Attachment

THE REINFORCEMENTS MUST NEVER BE WELDED TO THE ORIGINAL CHASSIS SIDEMEMBERS. High strength SAE Grade 8 bolts are to be used to fasten the reinforcement to the sidemember. Existing bolt holes in the sidemembers should be used whenever possible.

NOTE: The reinforcements should be bolted to the chassis frame using high strength SAE Grade 8 bolts not less than 0.5 inch (13 mm) in diameter (refer to “Bolt and Torque Information”).

Corrosion

If aluminum and steel are allowed to come into direct contact with each other, a galvanic cell can be formed. In order for the cell to form, the dissimilar metals must be in direct contact and an electrolyte, such as moisture, must be present. Aluminum is anodic with respect to steel and will corrode when in the presence of steel. Corrosion of aluminum frame crossmembers will reduce the load carrying capacity of the frame member and may eventually lead to the failure of the frame.

To prevent the formation of a galvanic cell, isolation techniques such as non-conductive or barrier type spacers or sealers must be used so that the steel and aluminum are not in direct contact.

It is recommended that a sealer, such as Tectyl 400C or equivalent, be painted onto the surface of both the aluminum and steel, as well as on the washers under the head of the bolts and nuts.

Frame Alignment

The frame must be properly aligned as this affects body, axle and suspension mounting. If the vehicle has been involved in an accident or has been overloaded, it is recommended that the frame be checked for proper alignment.

Pre-Alignment Inspection

Before checking alignment, park vehicle on level ground and set parking brake. Inspect frame assembly for loose parts, welds, cracks and bends. Be sure to make all necessary repairs before attempting to check frame alignment.

Method of Checking Frame Alignment

A satisfactory method of checking the frame and axle alignment, particularly when a body and cab is on a chassis, is to:

1. Place a plumb bob against the point of measurement. All measurements must be taken with the plumb bob positioned against bare metal.
2. Tack or tape pieces of paper to the floor directly under each point of measurement on the chassis as indicated by the letter "K" in Figure 2.2.

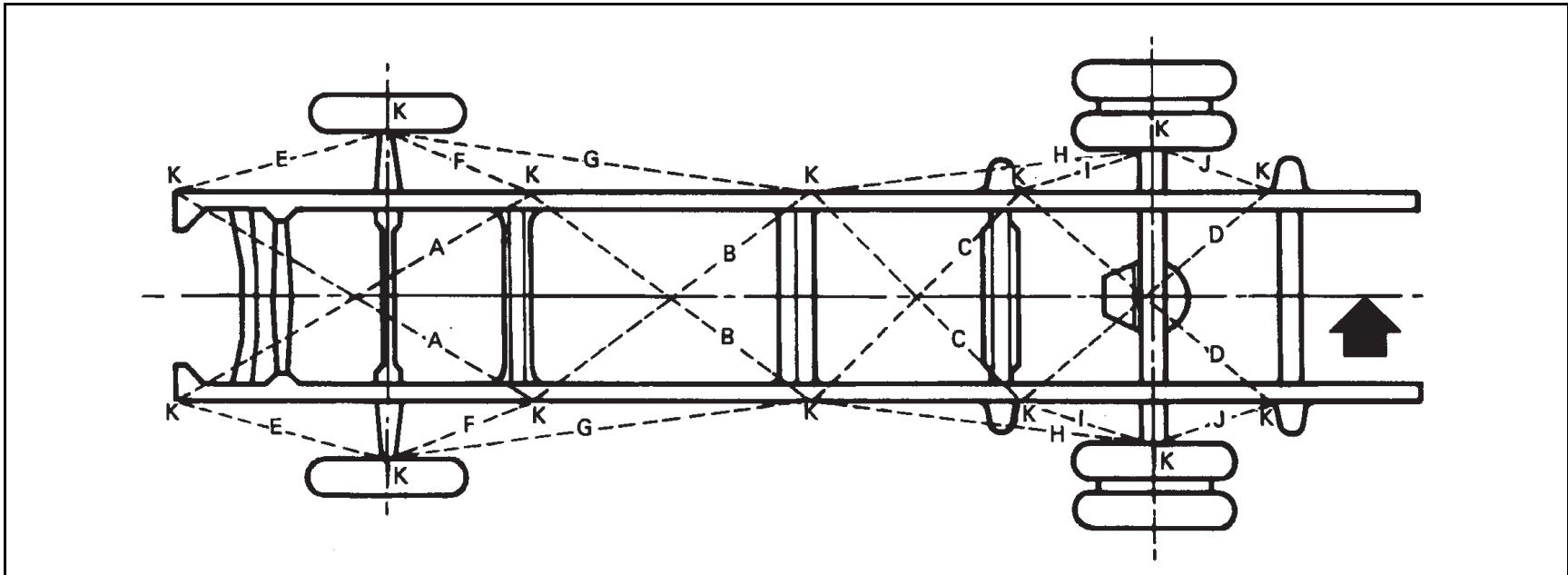


Figure 2.2 Centerline of Chassis

01_0012

Method of Checking

After each measurement point has been carefully marked on the floor, proceed as follows:

1. Locate centerline of chassis by measuring front and rear end widths, using marks on floor.

If frame widths are within specification, draw centerline on floor, the full length of the chassis and continue with step 2.

If frame widths are out of specification, lay out centerline as follows:

Centerline can be drawn through the intersection of any one pair of equal diagonals (A-A, B-B, C-C, D-D) and center point of one end of frame or through points of intersection of any two pairs of equal diagonals.

2. Measure distance from centerline to opposite points marked over entire length of frame. Measurements should not vary more than 0.12 inch (3.0 mm) at any point.
3. Measuring diagonals (A-A, B-B, C-C, D-D) will indicate point where misalignment occurs. If diagonals in each pair are within 0.12 inch (3.0 mm), that part of the frame included between points of measurement may be considered in satisfactory alignment. These diagonals should intersect within 0.12 inch (3.0 mm) of the centerline.

If the diagonals are not within specification, try loosening and re-tightening all cross-members. Then re-check alignment. Refer to the “Bolt Torque Chart (Phosphate and Oil Coated)”. If frame is still out of alignment, the vehicle must be taken to a suitable frame alignment establishment to confirm frame misalignment. If misalignment is confirmed, suitable measures must be taken to repair the damage.

SIDE ELEVATION DIMENSIONS

Dimensions for side elevation of the frame should be checked at the points indicated and should not vary more than 0.12 inch (3.0 mm) from side to side. (They will differ fore and aft due to typical frame rake.)

Axle Alignment With Frame

After determining that the frame is properly aligned, the axle alignment with the frame should be checked by comparing diagonals.

If necessary, adjust axle-to-frame alignment.

Frame Straightening

NOTE: Frame straightening should only be performed by a qualified frame alignment facility. Under no circumstance should frame alignment be performed by inexperienced or unqualified service personnel.

DO NOT USE HEAT TO STRAIGHTEN.

Use of heat is not recommended when straightening heat-treated frame sidemembers. Heat will weaken these frame members, consequently, all straightening should be done at room temperature. Add reinforcement per section if heat straightening is done.

Frame members which are bent or buckled sufficiently to show cracks or weakness after straightening should be replaced or reinforced. **HEAT-TREATED FRAME MEMBERS MUST NOT BE INTERMIXED WITH NON-HEAT-TREATED MEMBERS.**

If one sidemember is to be replaced, the new member must match the former frame member in both cross-section and material strength.

Repair and Reinforcement Recommended Procedures

In some cases of frame damage, the sidemembers must be replaced rather than repaired. Examples of this are:

1. When sidemember cracks caused complete separation or a visible deformation of the section.
2. When the sidemembers are extensively deformed. Consult with your field service representative and frame repair specialists if in doubt.

Preparation of Frame for Repair

Bevel Crack to Weld

To assure complete weld penetration, bevel the crack from one side when welding from one side. Bevel the crack from both sides when welding from both sides. The existing crack in the sidemember must be entirely removed (Figure 2.3). Widen the crack its full length to 1/8 inch (3 mm). If required, a rubber backed disc grinder or high speed steel burr may be used.

Clean Surface to Weld

Surfaces to be welded and surfaces adjacent to the weld must be free of loose scale, slag, rust, grease, moisture, paint or other material that could contribute to poor quality welds.

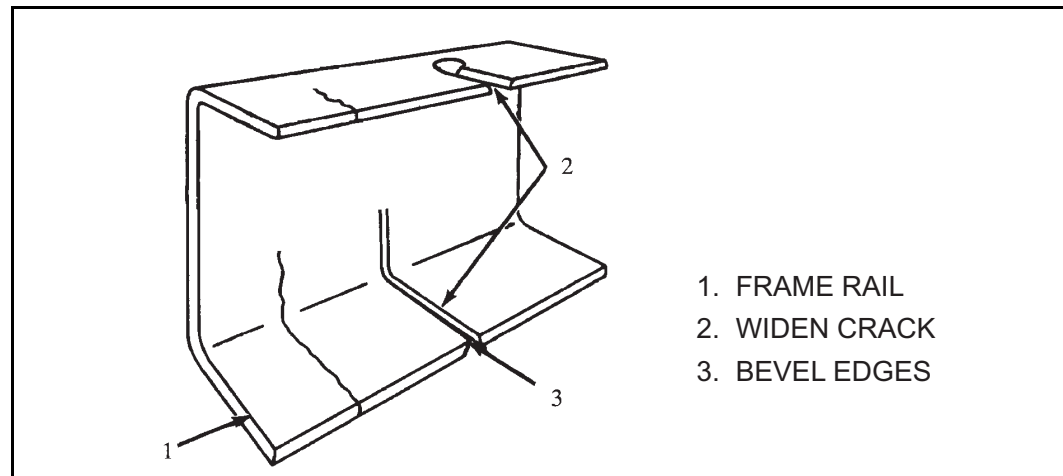


Figure 2.3 Preparing For Weld Repair

01_0013

Welding

Electric arc-welding is recommended for repair of steel frames. The shielded arc method should be used because the heat generated during welding is localized and burning of material is minimized using this method. Additional advantages are that the finished weld can be ground flush and drilled as necessary.

Shielded metal arc welding (SMAW); gas metal arc welding (GMAW), also known as metal inert gas (MIG) welding; gas tungsten arc welding (GTAW), also known as tungsten inert gas (TIG) welding; or flux cored arc welding (FCAW) are recommended methods for repair of steel frame members.

To avoid serious personal injury, death or possible engine damage, when welding or using an acetylene torch always wear welding goggles and gloves. Insure that acetylene and oxygen tanks are separated by a metal shield and are chained to a cart. Do not weld or heat areas near fuel tanks or fuel lines. Utilize proper shielding around hydraulic lines.

General Recommendations

IMPORTANT: To properly perform the repair procedure, the following rules must be observed:

All Steel Sidemembers

1. Welding should not be performed when surfaces are wet or exposed to rain, snow, high wind or when repair personnel are exposed to inclement conditions. Frames exposed to inclement weather must be thoroughly cleaned and dried before the repair is made.
2. Surface areas and edges to be joined must be clean and free of oil, grease, loose scale, rust, moisture, paint or other material that could contribute to poor quality welds.
3. Always avoid craters, notching and undercutting.
4. Peen new welds prior to grinding to relieve stresses caused by shrinkage.
5. Grind all welds flush with the surrounding surfaces. Use a coarse grinder followed by smooth grind at 90° to the crack direction to remove all of the coarse grind marks.
6. Inspect the weld repaired area carefully after grinding. Grind out any remaining cracks, notches or undercuts and repeat the finishing and inspections.
7. For welding cracks to the edge of the sidemember flange, locate a run-off block at the edge as in to obtain a continuous weld without undercuts. After welding, the run-off block should be cut off and the weld should be ground and inspected as in steps 5 and 6 above.

8. Weld to the edges of the holes: The weld should continue into the hole to form a plug weld with a copper chill block on the opposite side to help form the plug. The weld should then be finished as in steps 5 and 6 above and redrilled. Chamfer the hole edges. If the hole was open and unused, install a Grade 8 bolt to help attach the weld repair reinforcement.

Visible ultraviolet and infrared rays emitted in welding can injure unprotected eyes and skin. Protection such as welder's helmet with dark colored filter lenses of the proper density must be used. GTAW or TIG welding will produce intense radiation, therefore, filter plate lenses of the deepest shade providing adequate visibility are recommended. It is strongly recommended that persons working in the weld area wear flash safety goggles. Also wear protective clothing.

9. Electrodes: Only low hydrogen electrodes should be used. These should be purchased in hermetically sealed containers or dried for two hours at a temperature between 450° F (232° C) and 500° F (260° C).

After drying, the electrodes should be stored in an oven at a temperature of at least 250° F (121° C). If exposed to the atmosphere for more than four (4) hours, the electrodes should be dried before use. ANY MOISTURE INTRODUCED INTO THE WELD COULD DEVELOP POROSITY OR EMBRITTEMENT, LEADING TO FURTHER CRACKING. Welding procedures will vary among different frame materials. Outlined below are recommendations for welding of the various types of frames.

1. Preheat the frame member along the prepared weld joint to 500 to 600° F (260 to 316° C). Insure the area is clean and any moisture present is eliminated.
2. Permit heated area to cool to 200° F (93° C) or below before welding is started. The weld repair area must be clean before welding.
3. Either alternating current or direct current reversed polarity, combined with a short arc and beading or narrow weave technique, may be used. Direct current reversed polarity is recommended.
4. Slag should be removed after each pass and an interpass temperature of 200° F (93° C) should be maintained.
5. Grind smooth and flush with surrounding sidemember material. Grind the weld in a direction that is 90° to crack direction (Figure 2.4 D).
6. Add reinforcement.

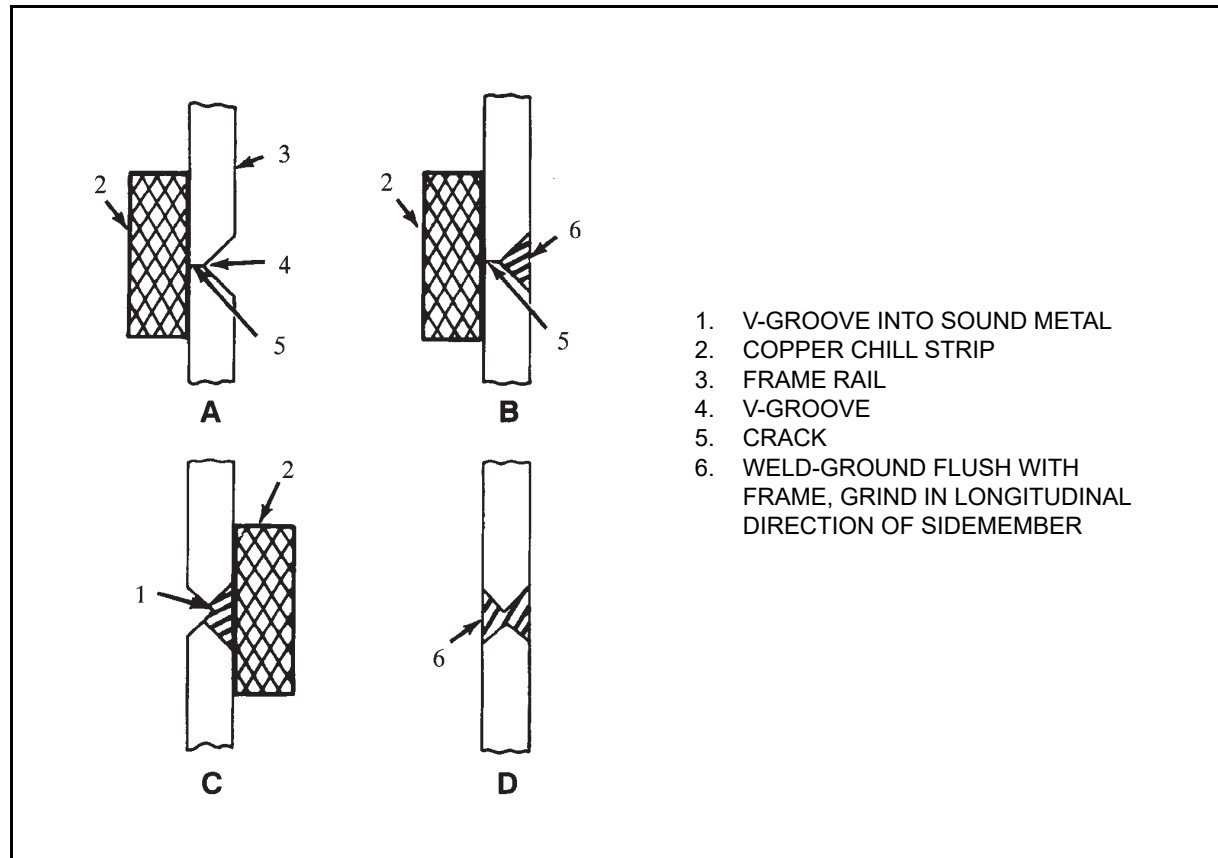


Figure 2.4 Use of Chill Strip

01_0014

High Strength Low Alloy Steel Frames (50,000, 60,000 and 80,000 PSI Yield Strength)

Any of the electric arc methods previously described may be used. The choice of a suitable electrode or wire depends somewhat upon the equipment available for welding and the method selected.

The SMAW and the GMAW methods are preferred for welding the HSLA frames. The use of low hydrogen electrodes is recommended. Refer to Table 2.1 for selection of recommended electrodes and wires, or refer to A.W.S. A.5 standard available from www.aws.org for equivalent strength electrodes, wires or rods and power leads to be used in the welding methods. The double V-notch weld preparation using the weld procedure shown in Figure 2.4 is the preferred welding method.

Table 2.1 Recommended Electrodes and Wires

MATERIAL STRENGTH PSI	RECOMMENDED ELECTRODE AND WIRE	
	SMAW	GMAW
50,000	E7018	E70S-3
60,000	–	E70S-1B
80,000	E8018	E80S-D2

Amperage and voltage recommendations for welding are shown in Table 2.2 and Table 2.3

Table 2.2 SMAW Method (HSLA Frames)

POSITION	ELECTRODE SIZES INCH	WELDING CURRENT		SPEED (INCH/MIN.)
		AMPERES	VOLTS	
Flat	.125	–	–	–
Horizontal and Vertical	.125	110/140	20/14	24

Table 2.3 GMAW Method (HSLA Frames)

POSITION	ELECTRODE SIZES INCH	WELDING CURRENT		SPEED (INCH/MIN.)
		AMPERES	VOLTS	
Flat	.035	–	–	350/400
Horizontal and Vertical	.035	190/220	20/30	350/400

7. Preheat frame rail along the weld joint to 500 to 600° F (260 to 316° C) to insure any moisture present is eliminated and to prevent too rapid cooling of weld metal.
8. Direct current, reversed polarity is preferred. Weld using a short arc and a beading or narrow weave technique.
9. Slag should be removed after each pass and an interpass temperature of 200° F (93° C) should be maintained.
10. Grind smooth and flush with surrounding sidemember material. Grind the weld in a direction that is at 90° to crack direction (Figure 2.4 D).

11. Add reinforcement.

Heat Treated Frames (110,000 and 120,000 PSI Yield Strength)

When welding Heat Treated Frames (110,000 PSI and 120,000 Yield Strength), use low hydrogen electrodes which have superior crack resistance and notch toughness similar to AWS-E-11018. This type electrode should be stored in a moisture-free container to avoid porosity during welding.

Amperage and voltage recommendations for welding are shown in Table 2.4.

Table 2.4 SMAW Method (Heat-treated Frames)

POSITION	AMPERES	VOLTAGE
Downhand	130/140	21/23
Overhead	130/140	21/23
Vertical Up	110/120	22/24

A heavy copper “chill” strip should be clamped to the rail side away from the groove to help control the temperature and cooling rate during welding (Figure 2.4). Short lengths of discarded heavy copper electrical bus bars make suitable chill strips.

Preheat the frame rail along the crack area to 500-600° F (260-316° C). Either alternating current or direct current reversed polarity, combined with a short arc and a beading or narrow weave technique may be used. Direct current reversed polarity is recommended.

Slag should be removed after each pass and an interpass temperature of 200° F (93° C) should be maintained. Grind smooth and flush with surrounding sidemember material, in a direction that is parallel to the longitudinal axis of the sidemember (Figure 2.4 D).

A V-groove is ground from the side opposite the repair and the procedure outlined above repeated. “Chill” strips should be used whenever possible. The V-groove ground on the opposite side of the repair should be deep enough to enter the sound metal of the first weld repair as shown in Figure 2.4 C.

REINFORCEMENT

The strength of the sidemember in the weld joint repair region has been reduced by welding and this region must be reinforced sufficiently to insure that the service life of the frame is not shortened. Reinforcement of the frame after welding is intended to reduce the stresses in the weld repair region to a lower level than was previously permitted. Improper drilling will also reduce the strength of the sidemembers. Refer to “Drilling or Notching”.

THE TYPE, LENGTH, MATERIAL AND ATTACHMENT TECHNIQUES FOR REINFORCEMENTS VARY WITH THE TYPE AND LOCATION OF THE CRACK AND WITH THE LOADING CONDITIONS ASSOCIATED WITH THE CRACK. It is not practical to give specific recommendations for all cases of frame cracking, therefore the various types of reinforcements are identified with general descriptions of their applications and installation procedures. To aid in making the distinctions between the more critical flange area and the less critical web area, critical zones are defined as shown (Figure 2.5 D).

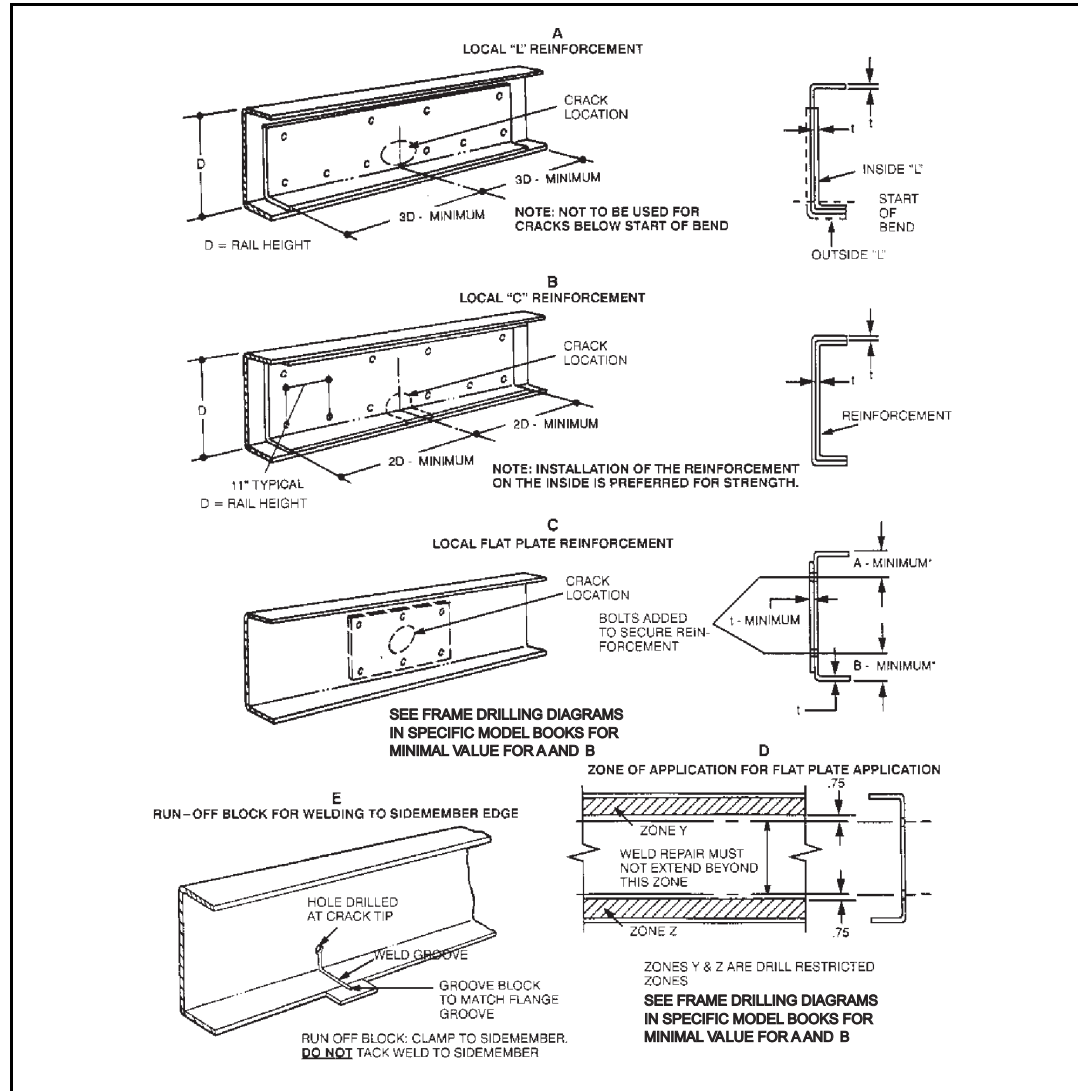


Figure 2.5 Reinforcement Application

01_0015

Cracks which occur in the critical zones have a greater probability of growing vertically through the section, and the reduced strength after weld repair necessitates a more substantial reinforcement.

These guidelines potentially affect the structural integrity of the frame assembly and are intended for those who have the equipment and experience required to qualify as frame repair specialists.

General Weld Repair Reinforcement Procedures

1. The thickness and material strength of the local plate, “L” and channel reinforcements should match the section being reinforced.
2. The corners of the reinforcements which will be in contact with the sidemember along the reinforcement edges must be chamfered to prevent damage to the sidemember.
3. All sidemember reinforcements must be bolted to the web section within the zone shown in the frame drilling guidelines in the specific model body builder book. The bolts must be of SAE Grade 8 or better, with integral flanges or with hardened flat washers and must be tightened to Grade 8 levels.
4. Crossmember modification or replacement may be required if the reinforcement is on the same side as the crossmember.
5. Consider the potential effects of the reinforcements on the various components mounted to the frame. Check clearances for suspension, wiring, plumbing and other controls.
6. For attachment of reinforcements, use existing bolts wherever this is practical.
7. The weld repaired area of the sidemember and all of the reinforcement should be primed and painted before reinforcement installation. For corrosive environments, additional treatment of the interface may be needed.

Full Length Channel Weld Repair Reinforcements

“Full length” channel reinforcements are available through International[®] dealers for most models. The actual length, starting location and ending location vary from model to model. Different length reinforcements may also be available.

When applied as a repair reinforcement, these reinforcements DO NOT increase the load capacity of the vehicle. Their advantage in this case is their availability. A disadvantage of this type is that it is likely to affect more of the components which mount to the frame. In some cases this disadvantage may be offset by cutting the full length reinforcement to create a local reinforcement.

Recommended Applications

1. Cases of repair of vertical cracks in either the top or bottom flanges at very low mileage.

2. Cases in which the weld repair is accompanied by extensive straightening of heat treated sidemembers.

Full Length “L” Weld Repair Reinforcements

Steps 1 and 2 above also apply to the full length “L” reinforcements available from International. All of these are the inverted “L” type and are designed for installation on the outside of the sidemember section (except 9000 Series) (Figure 2.5 A).

Recommended Applications

This type of reinforcement is recommended for cases of cracking at very low mileage where a web crack has extended beyond the range for a flat plate reinforcement but ends short of the bend radius. It is also applicable to cases in which the cracking is accompanied by flange buckling.

Application Procedures

1. For custom-fabricated full length “L” reinforcements, the section should be oriented up or down so that the flange is on the same side as the damaged area.
2. For maximum strength the flange should be on the outside of the section.
3. Follow the general recommendations above for attachment of the reinforcement.

Local Channel Weld Repair Reinforcements

This type of reinforcement must be custom-fabricated either by cutting lengths from “full length” reinforcements or by forming from flat stock (Figure 2.5 B).

Recommended Applications

1. Cases in which the weld repair extends into the sidemember flange after substantial service life.
2. Cases accompanied by extensive abrasive wear of the sidemember section. In these cases the length of the wear area should be added to the length recommendations below.

Application Procedures

1. The channel should be installed on the outside of the section for greater strength.
2. Figure 2.5 B gives recommended dimensional data and attachment specifications for a typical installation. Holes drilled for the attachment must be within the frame drilling guidelines in the specific model body builder book.

Local “L” or Inverted “L” Weld Repair Reinforcements

This type of reinforcement is also generally custom-fabricated. It has a greater tendency to loosen than a channel reinforcement because, for vertical deflections of the frame assembly, it tends to bend about an axis different from that of the main sidemember section. Because of this its length and/or attachment specifications are typically greater than for the channel type.

Recommended Applications

This type of reinforcement is recommended for cases in which the weld repair is confined to the web of the section but extends beyond the application zone of the flat plate reinforcements shown in Figure 2.5 D.

Application Procedures

1. Figure 2.5 A shows a typical installation for an “L” reinforcement on the inside of a sidemember section along with minimum recommended dimensions.
2. The flange of the reinforcement should be oriented up or down so that flange is on the same side as the damaged area.
3. For maximum strength the reinforcement should be installed on the outside of the sidemember section.

Flat Plate Weld Repair Reinforcements

This reinforcement is intended for the less critical, web portion of the sidemember section where typical cracking is due to local stresses which tend to “diaphragm” or “dish” the web without creating appreciable stresses for overall bending of the section. Typical crack patterns radiate out from the edge of a mounting bracket or crossmember or from a hole in the web. Cracks which radiate from a web hole occupied by a fastener are frequently an indication of a defective joint, whether by the loosening of the fastener or poor joint design (Figure 2.5 C).

Recommended Applications

The flat plate reinforcements are recommended for weld repairs in which the weld does not extend beyond the zone defined in Figure 2.5 D.

Application Procedures

1. A typical installation is shown in Figure 2.5 C. The length and height of the plate will vary with the size of the weld repair area. In general it should be such that it will accommodate an array of reinforcement attachment bolts at a typical 3 to 5 inch (76 to 127 mm) spacing all around the weld repair area.
2. The plate should generally be installed on the side opposite the component which transferred the local bending load into the web.
3. The edges of the plate should be staggered with respect to the edges of other relatively stiff web mounted components to avoid the creation of stress concentrations.

BOLT AND TORQUE INFORMATION

Most frames are assembled with bolts and nuts. Others are riveted. **BOLTS MUST ALWAYS BE USED WHEN ATTACHING A REINFORCEMENT.** Rivets should be replaced by bolts as required when the frame is repaired and reinforced.

In bolted joints, the majority of the load is transferred by frictional force or clamping force between the members of the joint. The bolts must be properly tightened to develop and maintain the desired clamping force. Operation of the joint with loose or improperly tightened bolts can lead to failure of the joint. The bolts and nuts should be inspected periodically to insure that proper torque is maintained.

Bolts of high strength material conforming to SAE Grade 8 bolts should be used on all frames. For installation of reinforcements, 0.5 inch (13 mm) diameter flange head bolts are recommended. The SAE Grade 8 bolt is identified by six radial line markings on the head of the bolt (Figure 2.6). Nuts must be Grade 8 flange type.

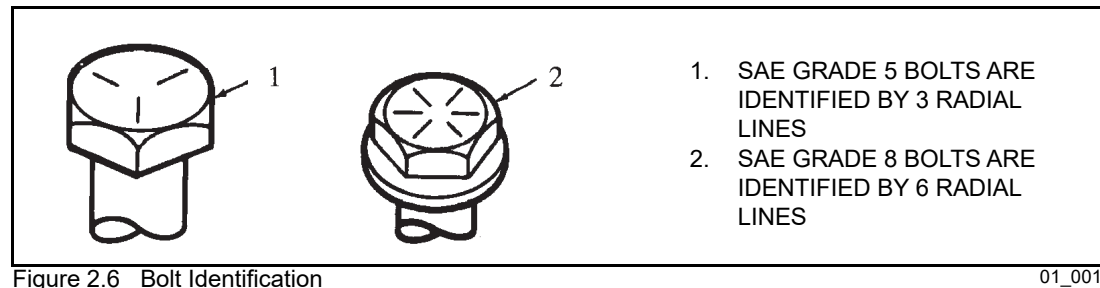


Figure 2.6 Bolt Identification

These bolts, 0.5 inch (13 mm) diameter flange head type, should be tightened to 110 to 120 ft-lbs. (149 to 163 Nm) based on new bolts and nuts lubricated with engine oil. Whenever possible, hold the bolt and tighten the nut.

If frame components are aluminum, flange head bolts and nuts, or bolts with hardened flat washers must be used. If modification or repair requires replacement of existing bolts with new bolts or bolts of a greater length, the old flange head nuts should not be used with new standard bolts.

Careful consideration is given to the number, location and sizes of frame bolt holes in the design of a vehicle. The number, location and sizes of additional bolt holes put in the frame subsequent to manufacture of the vehicle can adversely affect frame strength. The adverse effect of additional bolt holes can be minimized by following the guidelines.

HUCKBOLT FASTENERS (HUCK-SPIN 2)

Huck-Spin 2 fasteners are used in various positions in frame rail construction. Advantages to this style fastener are consistent clamp load and a high resistance to loosening due to vibration. The need to recheck fastener torque is eliminated.

NOTE: Huck-Spin 2 fasteners cannot be installed without Huck installation equipment.

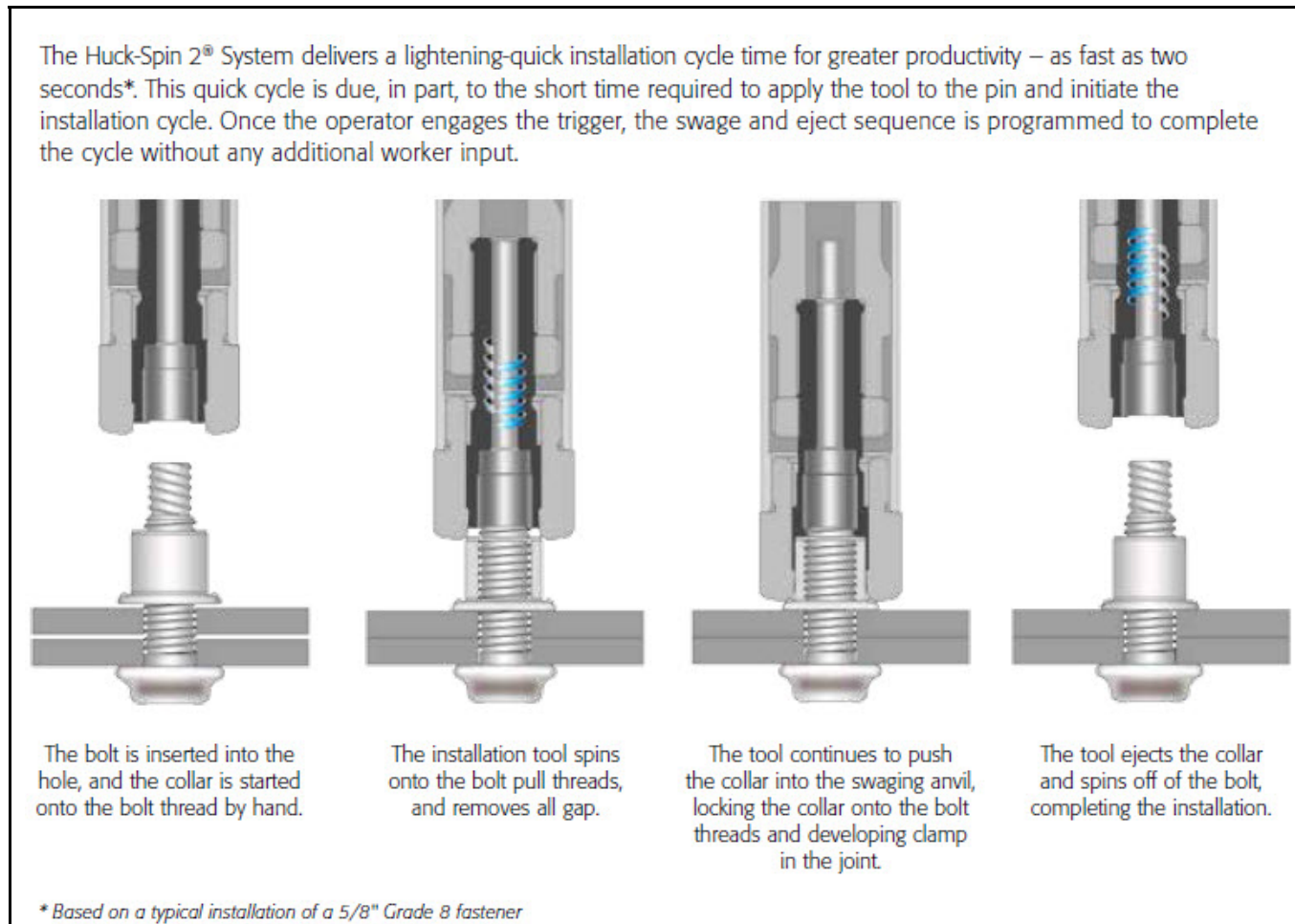


Figure 2.7 Huck-Spin 2 Fasteners

01_0294

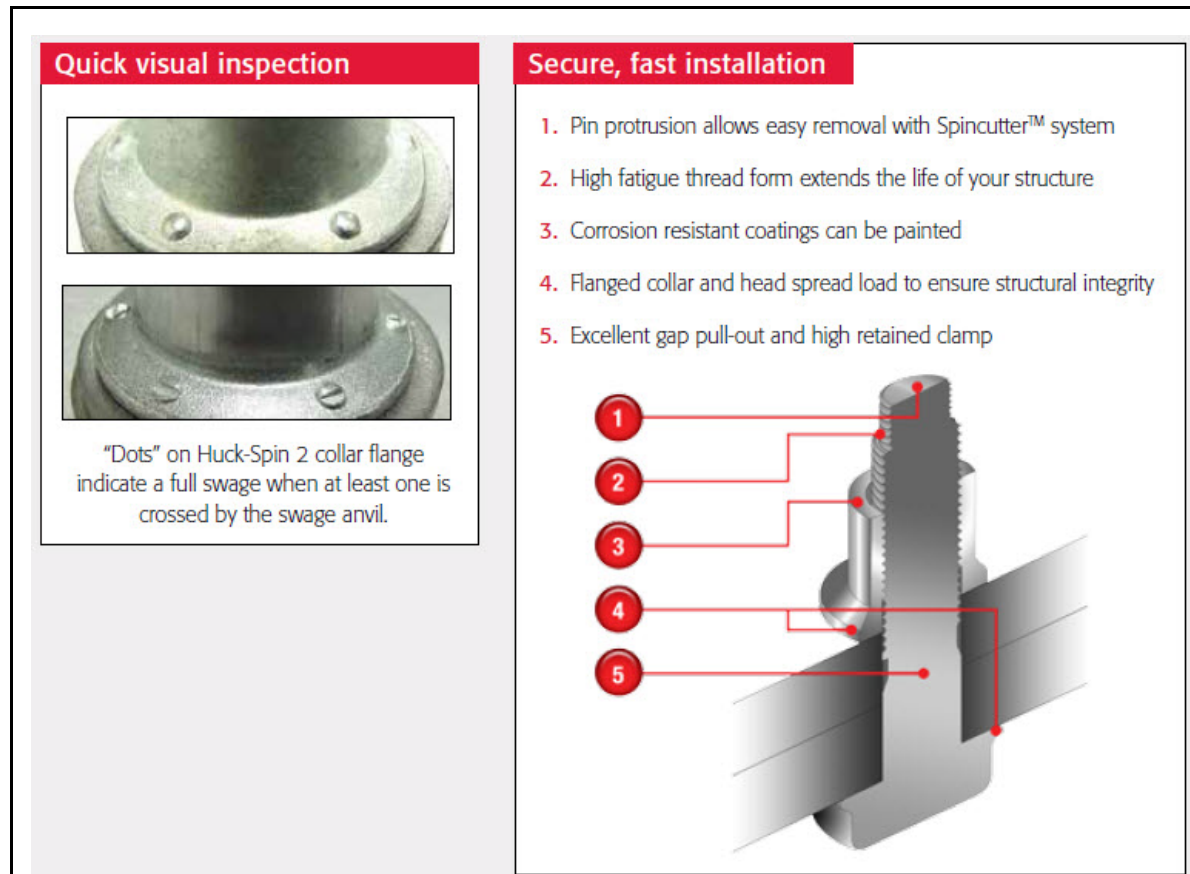


Figure 2.8 Huck-Spin 2 Installation

01_0295

CAUTION: The Huck-Spin 2 fastener is not intended for re-use. To do so can result in damage to the vehicle frame or components attached to the frame.

CAUTION: In the event that Huck fasteners are removed, in order to retain the same joint integrity, it is strongly recommended that new Huck fasteners be used for attachment/reattachment of components.

SPECIAL SERVICE TOOLS

ORDER TOOLS FROM:

Huck International, Inc.	Phone: (800) 278-4825
P.O. Box 2270, One Corporate Drive	Fax: (845) 334-7333
Kingston, NY 12401	

AFTERMARKET MODIFICATIONS

Cutting the frame behind the rear axle to shorten the frame is acceptable. Mechanical cutting or sawing is preferred to torch cutting. Whenever it is necessary to cut the frame, the sidemember should be cut at an angle of 90° to the longitudinal axis.

For information on cutting of the frames to lengthen the frames or modify the wheelbase, refer to “Wheelbase Alterations”.

Where mounting angles are to be welded to fifth wheel assemblies, refer to fifth wheel manufacturer's recommendations.

In some cases, specialized equipment such as hoists, winches, lifts, snowplows, pusher and tag axles are added to the vehicle by distributors, installers or dealers. Unless otherwise specified by the customer at the time of assembly, the vehicle is generally equipped with a standard chassis frame and the manufacturer has not made special allowances for the special equipment which is being added.

The addition or installation of this special equipment on the vehicle can significantly affect the loading of the chassis frame. In some cases, it may be necessary to reinforce the frame. Care must be exercised to insure that the gross vehicle weight rating (GVWR) and/or the gross axle weight ratings (GAWR) are not exceeded.

Installation of this special equipment may involve State and Federal requirements which affect vehicle certification for noise emissions, exhaust emissions, brake requirements, lighting system requirements, etc. The specialized equipment installer is responsible for the safety and durability of their product and, in addition, is responsible to insure that the equipment and its installation comply with all applicable State and Federal Department of Transportation requirements and OSHA regulations.

Addition of specialized equipment may have a significant effect on other vehicle components, such as the brake system, steering system, suspension system, etc. Simple reinforcement of the chassis frame may not be adequate to provide safe operation of the vehicle.

In any modification of the chassis frame, the addition of holes, reinforcements, welds, clamps, splices, etc. may cause an increase in the local stress in the frame at the point of the modification. These local stress concentrations can significantly affect the life of the chassis frame. The specific effect which the stress concentrator will have on the life of the chassis frame is influenced by the location of the stress concentration, the frequency and severity of the loading, and the type of stress concentration. Any modification of the frame may void the manufacturer's warranty.

Refer to “Welding and Reinforcement” information.

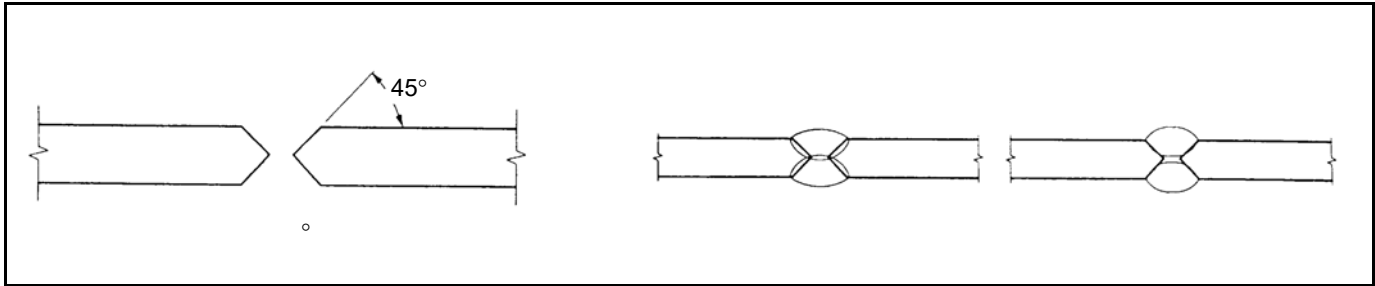


Figure 2.24 Frames – Preparation of Joint for Welding Extension

01_0034

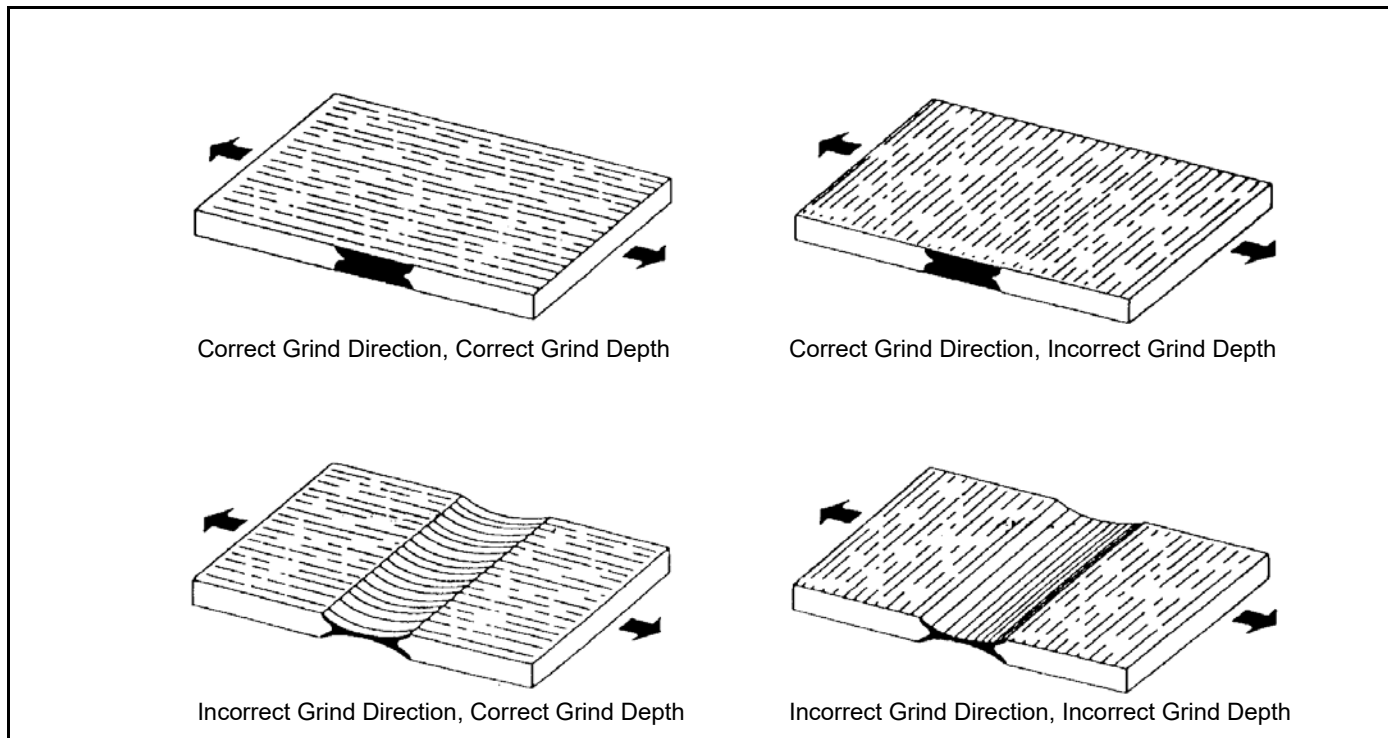


Figure 2.25 Cross-sectional Views Showing Correct and Incorrect Methods of Finishing the Joint

01_0035

WHEELBASE ALTERATIONS

Shortening or lengthening a wheelbase is an added expense for the customer. Therefore, it is often to the customer's benefit to order a chassis from the factory with the desired wheelbase rather than to alter the wheelbase of the chassis on-site.

The preferred method for altering the wheelbase is to slide the rear axle forward or rearward as required. Invariably, this requires the lengthening or shortening of air lines, brake lines, electrical lines, and driveline. Extreme care should be taken in the modification of the air lines, brake lines, electrical lines and driveline to insure that they operate as reliably as those with which the vehicle was manufactured.

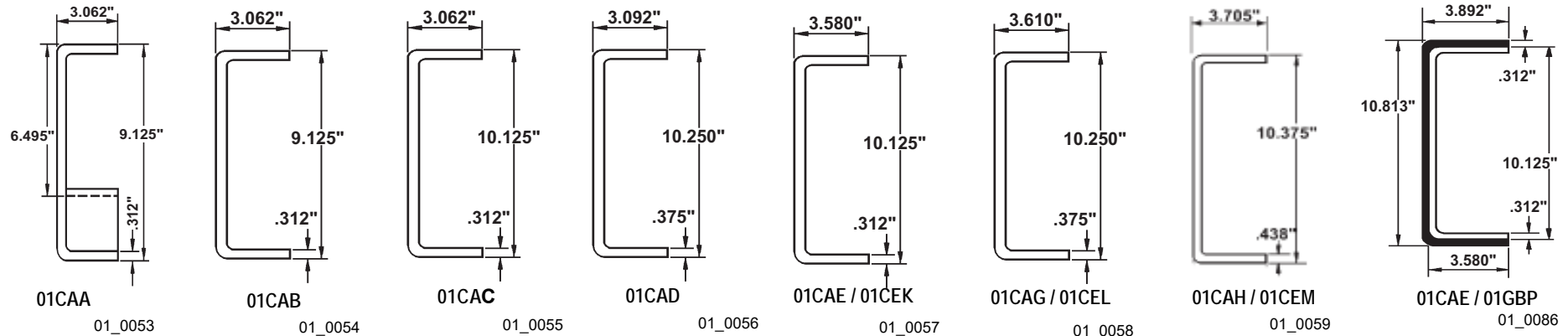
If the wheelbase is lengthened, a reinforcement may be required. Consult your International® dealer before lengthening the wheelbase.

In those instances when it is necessary to cut and weld the frame to alter the wheelbase, the frame must be reinforced with a channel-type reinforcement of the same strength as the original frame material in the area where the frame has been cut, extending at least two feet on either side of the cut and bolted as specified in Figure 2.5 D shown earlier in this section.

If the frame was built with both a main frame and a reinforcement, the reinforcement should be removed before cutting the main frame. **IT IS ESSENTIAL THAT A NEW ONE-PIECE OUTER CHANNEL REINFORCEMENT BE OBTAINED RATHER THAN CUTTING AND RE-USING THE ORIGINAL REINFORCEMENT.** The original frame should also be reinforced with an inner channel reinforcement, extending at least two feet beyond the cut(s) on either side of the cut(s). The reinforcement must be of the same material as the original frame. Blank and pre-punched chassis channel reinforcements are available through your dealer parts department.

On both medium and high strength aluminum frames, **RE-WELDING TO LENGTHEN THE FRAME IS NOT RECOMMENDED.** Refer to “Reinforcement” and “Reinforcement Attachment” for additional information.

FRAME RAIL CROSS-SECTION



Frame Key Code	Side Rail & Reinforcement Descriptions ^[2]						
	Dimensions (inches)			Yield Strength Nominal (psi)	Material #	Section Modulus ^[1]	Resisting Bending Moment (In.-Lbs.)
	Depth	Width	Thickness			Nominal	Design
Straight Channel Side Rail – Kick-Up at Rear Suspension Rearward ^[3]							
01CAA	9.125	3.062	0.312	80,000	B	10.74	859,200
Straight Channel Side Rail							
01CAB	9.125	3.062	0.312	80,000	B	10.74	859,200
01CAC	10.125	3.062	0.312	50,000	B	12.64	632,000
01CAD	10.250	3.092	0.375	80,000	B	15.14	1,211,200
01CAE, 01CEK ^[4]	10.125	3.580	0.312	120,000	C	14.18	1,701,600
01CAG, 01CEL ^[4]	10.250	3.610	0.375	120,000	C	16.98	2,037,600
01CAH, 01CEM ^[4]	10.375	3.705	0.438	120,000	C	20.11	2,413,200
Straight Channel Side Rail with Outer "C" Channel Reinforcement							
01CAE	10.125	3.580	0.312	120,000	C	29.84	3,580,800
01GBP	10.813	3.892	0.312	120,000	C		

NOTES:

B = High Strength Low Alloy Steel C = Heat Treated Alloy Steel

[1]=Section Modulus: Nominal calculated using design dimensions; indicates the design load capacity of the frame

[2]=Reinforcement dimensions and specifications are shown in italics

[3]=Rail depth given is for base rail... depth of kick-up in AF section is 6.495"

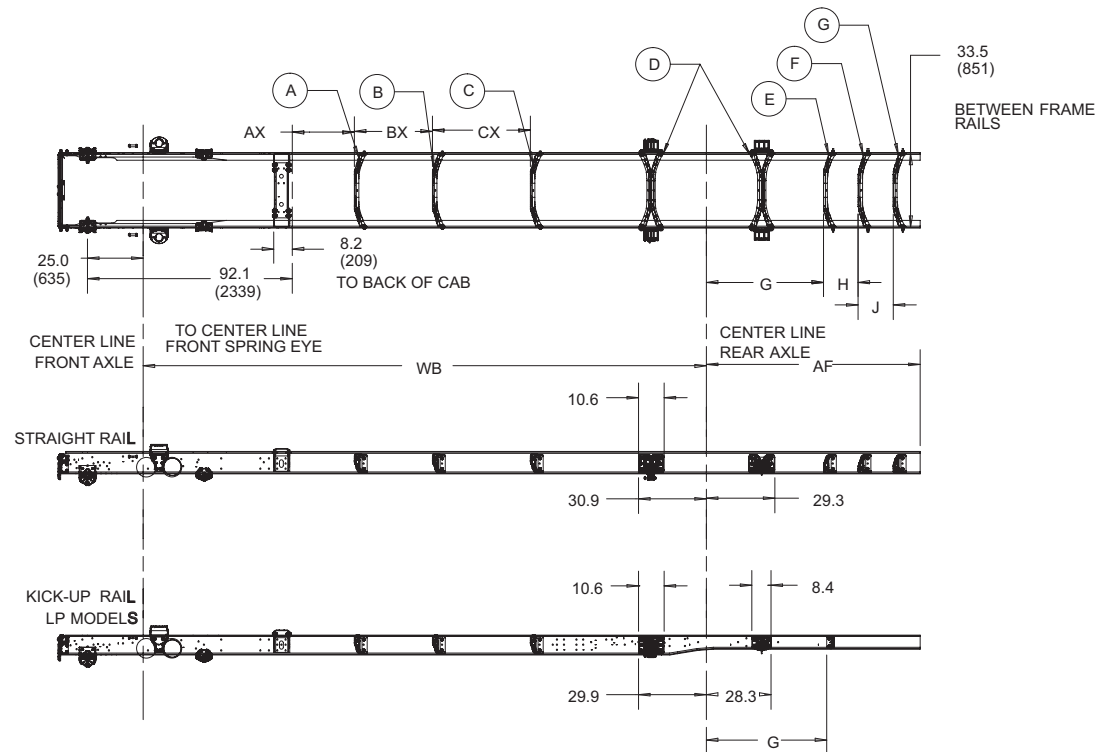
[4]=Limited to 33,000-lb GVWR

INTERMEDIATE CROSSMEMBER LOCATION

INTERMEDIATE CROSSMEMBER LOCATION

LP and 4x2 Day Cab

Wheelbase Range		AX	BX	CX
Min	Max			
Inches (Millimeters)				
up to 138 (3500)		-	-	-
140 (3550)	156 (3950)	19 (489)	-	-
158 (4000)	169 (4300)	28 (713)	-	-
171 (4350)	183 (4650)	37 (937)	-	-
185 (4700)	195 (4950)	43 (1161)	-	-
197 (5000)	211 (5350)	37 (937)	35 (896)	-
213 (5400)	224 (5700)		53 (1344)	-
226 (5750)	236 (6000)		-	-
238 (6050)	254 (6450)	46 (1161)	62 (1568)	-
256 (6500)	266 (6750)	37 (937)	44 (1120)	44 (1120)
268 (6800)	280 (7100)		53 (1344)	62 (1568)
282 (7150)	293 (7450)		62 (1568)	
295 (7500)	307 (7800)			
309 (7850)	321 (8150)			
323 (8200)	331 (8400)			



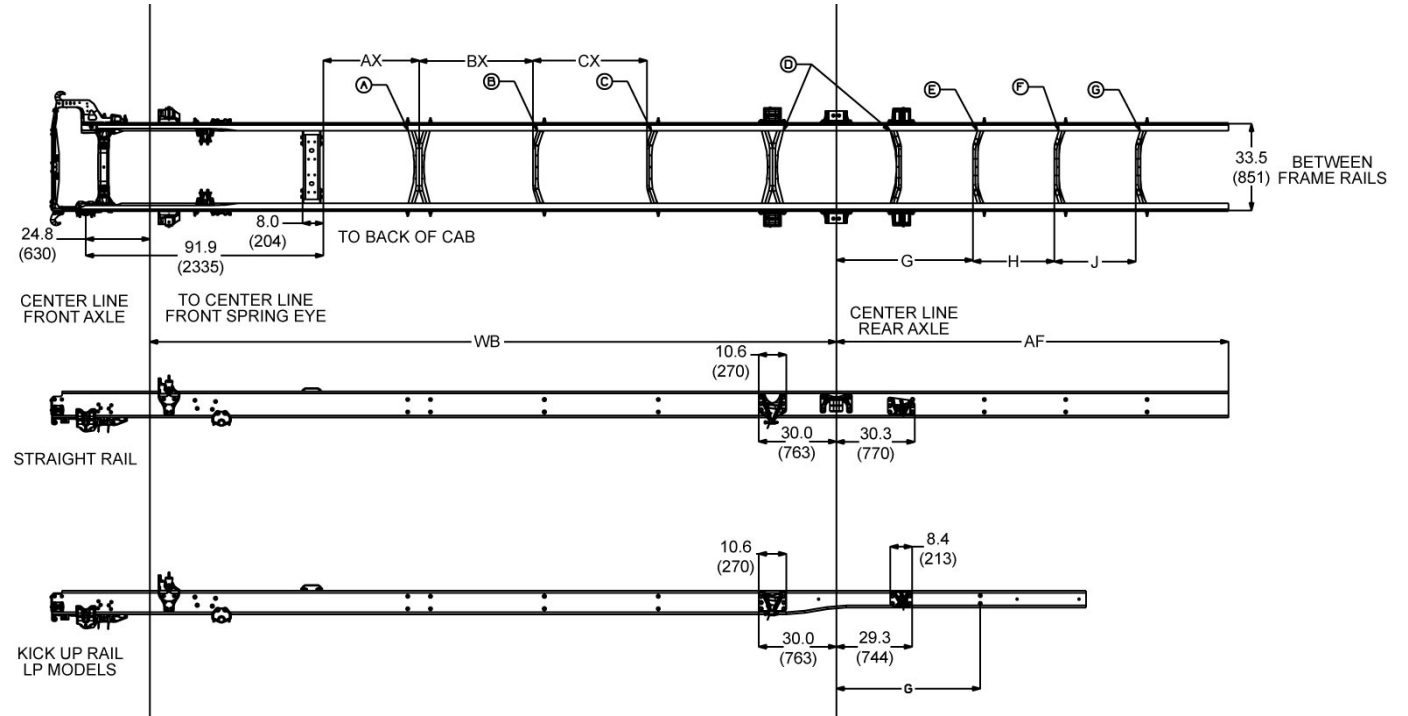
- (A) (B) (C) SINGLE STAMPED CROSSMEMBER MOUNTED WITH FLAT FLANGE UP AND WEB FORWARD
- (D) REAR SUSPENSION CROSSMEMBER
- (E) WITH STRAIGHT RAILS – SINGLE STAMPED CROSSMEMBER MOUNTED WITH FLAT FLANGE DOWN AND WEB FORWARD. WITH KICK-UP RAILS – C-CHANNEL AF CROSSMEMBER
- (F) (G) WITH STRAIGHT RAILS – SINGLE STAMPED CROSSMEMBER MOUNTED WITH FLAT FLANGE DOWN AND WEB FORWARD

INTERMEDIATE CROSSMEMBER LOCATION

4x2 Day Cab with Staggered Fuel Tanks

Wheelbase Range		AX	BX [3]	CX
Min	Max			
Inches (Millimeters)				
up to 138 (3500)		–	–	–
140 (3550)	169 (4300)	22 (567)	–	–
171 (4350)	183 (4650)	31 (791)	–	–
177 (4500) ^[1]	–	27 (695)	–	–
185 (4700)	195 (4950)	40 (1015)	–	–
197 (5000)	211 (5350)	31 (791)	41 (1042)	–
212 (5400)	236 (6000)		59 (1490)	–
238 (6050)	254 (6450)	40 (1015)	67 (1714)	–
256 (6500)	266 (6750)	31 (791)	67 (1714)	44 (1120)
268 (6800)	280 (7100)			59 (1490)
282 (7150)	293 (7450)			62 (1568)
295 (7500)	307 (7800)			71 (1792)
309 (7850)	321 (8150)			
323 (8200)	331 (8400)			

[1] With 04WZA



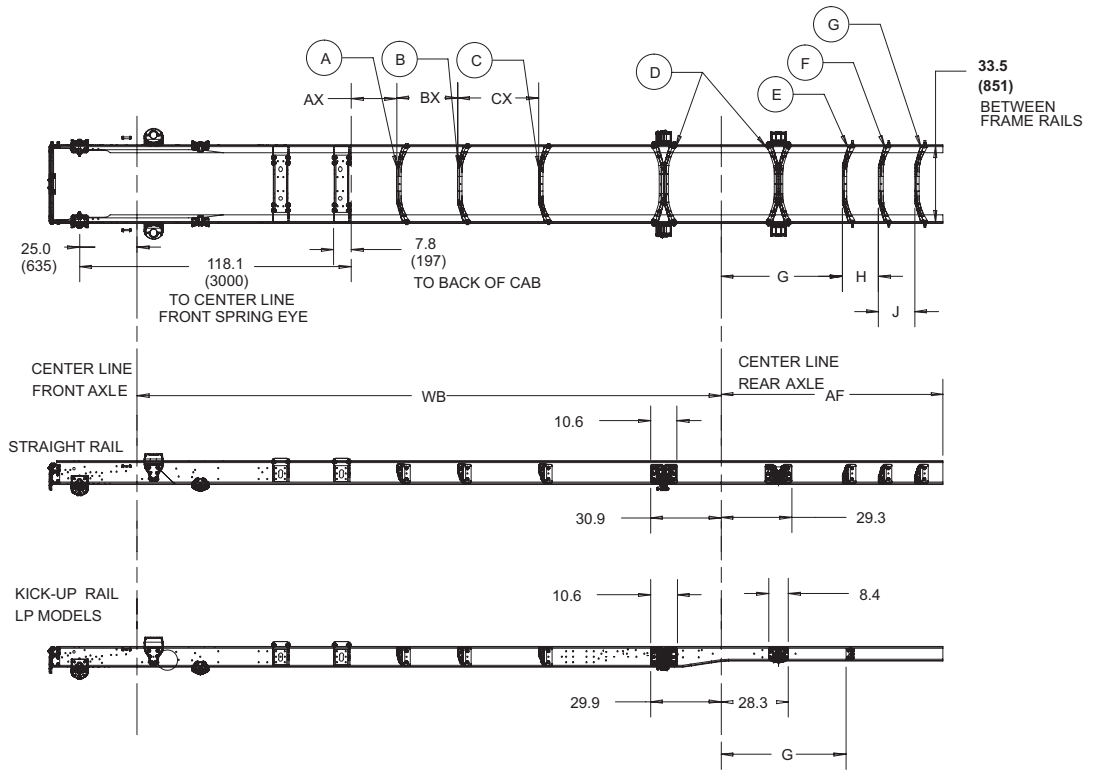
MV_ddcrossmember

INTERMEDIATE CROSSMEMBER LOCATION

INTERMEDIATE CROSSMEMBER LOCATION

LP and 4x2 Extended Cab

Wheelbase Range		AX	BX	CX
Min	Max			
Inches (Millimeters)				
up to 169 (4300)		—	—	—
171 (4350)	183 (4650)	11 (277)	—	—
185 (4700)	195 (4950)	20 (501)	—	—
197 (5000)	211 (5350)	11 (277)	35 (896)	—
213 (5400)	224 (5700)		53 (1344)	—
226 (5750)	236 (6000)	—	—	—
238 (6050)	254 (6450)	20 (501)	62 (1568)	—
256 (6500)	266 (6750)	11 (277)	44 (1120)	44 (1120)
268 (6800)	280 (7100)		53 (1344)	62 (1568)
282 (7150)	293 (7450)		62 (1568)	53 (1344)
295 (7500)	307 (7800)		62 (1568)	53 (1344)
309 (7850)	311 (7900)	20 (501)	—	—

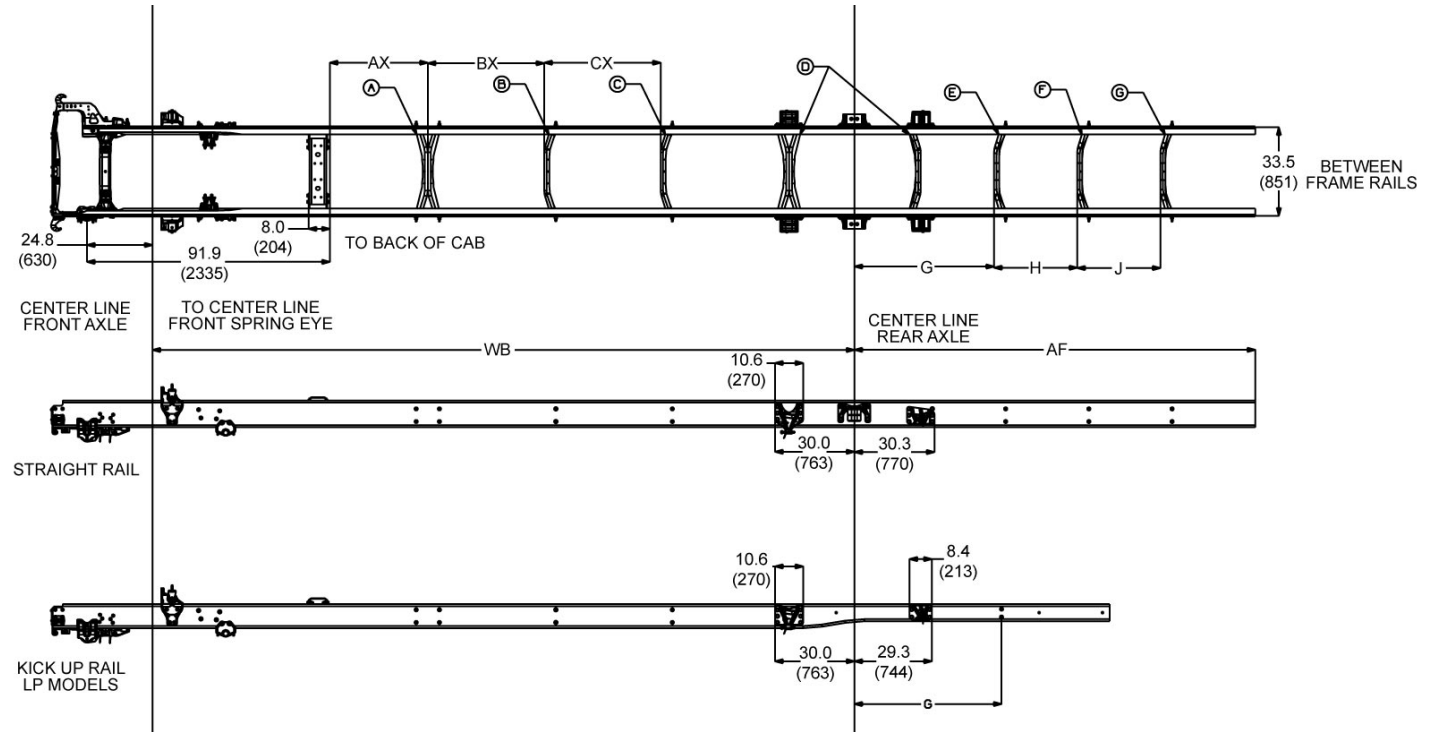


- (A) (B) (C) SINGLE STAMPED CROSSMEMBER MOUNTED WITH FLAT FLANGE UP AND WEB FORWARD
- (D) REAR SUSPENSION CROSSMEMBER
- (E) WITH STRAIGHT RAILS – SINGLE STAMPED CROSSMEMBER MOUNTED WITH FLAT FLANGE DOWN AND WEB FORWARD. WITH KICK-UP RAILS – C-CHANNEL AF CROSSMEMBER
- (F) (G) WITH STRAIGHT RAILS – SINGLE STAMPED CROSSMEMBER MOUNTED WITH FLAT FLANGE DOWN AND WEB FORWARD

INTERMEDIATE CROSSMEMBER LOCATION

4x2 Extended Cab with Staggered Fuel Tanks

Wheelbase Range		AX	BX	CX
Min	Max			
Inches (Millimeters)				
up to 169 (4300)		-	-	-
171 (4350)	195 (4950)	14 (355)	-	-
197 (5000)	211 (5350)		32 (818)	-
213 (5400)	236 (6000)		50 (1266)	-
238 (6050)	254 (6450)		67 (1714)	-
256 (6500)	266 (6750)		41 (1042)	44 (1120)
268 (6800)	280 (7100)		50 (1266)	62 (1568)
282 (7150)	293 (7450)		59 (1490)	
295 (7500)	307 (7800)		68 (1714)	53 (1344)
309 (7850)	311 (7900)			



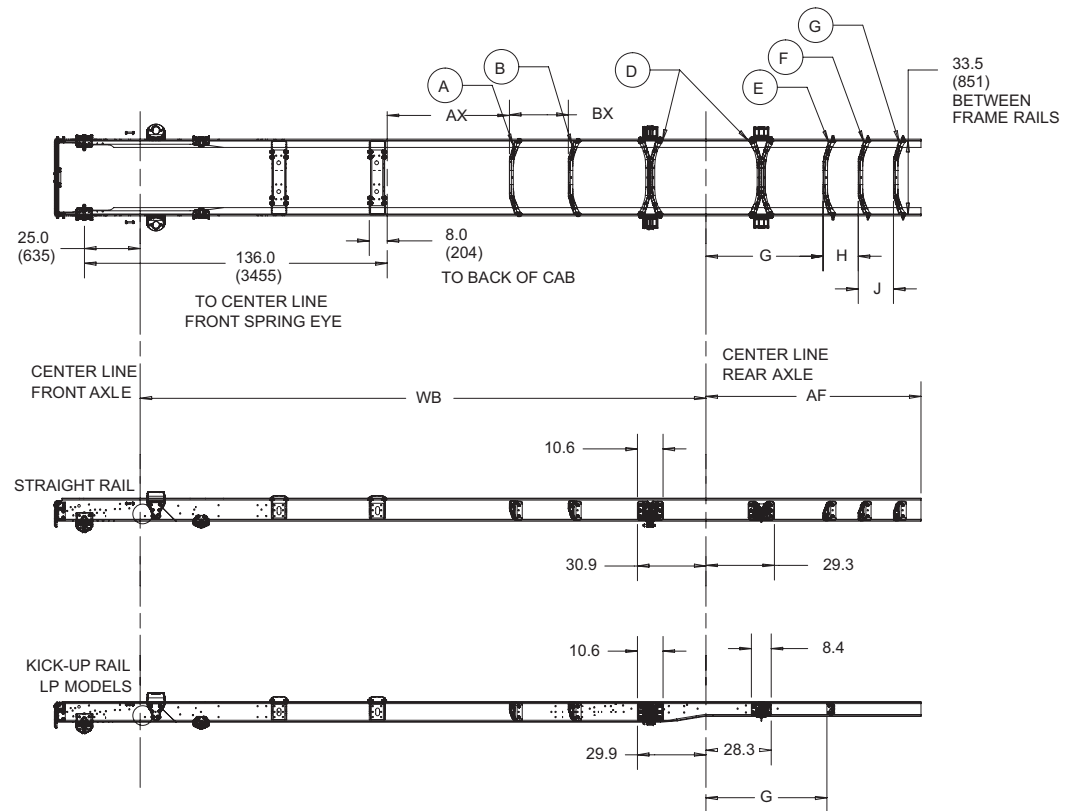
MV_ddcrossmember

INTERMEDIATE CROSSMEMBER LOCATION

INTERMEDIATE CROSSMEMBER LOCATION

LP and 4x2 Crew Cab

Wheelbase Range		AX	BX
Min	Max		
Inches (Millimeters)			
up to 183 (4650)		–	–
185 (4700)	195 (5000)	19 (494)	–
197 (5050)	211 (5350)	28 (718)	–
213 (5400)	224 (5700)	37 (942)	–
226 (5750)	236 (6100)	55 (1390)	–
238 (6150)	254 (6450)	19 (494)	44 (1120)
256 (6500)	266 (6750)	37 (942)	
268 (6800)	280 (7100)	46 (1166)	53 (1344)
282 (7150)	293 (7450)	55 (1390)	
295 (7500)	321 (8150)	62 (1568)	62 (1568)

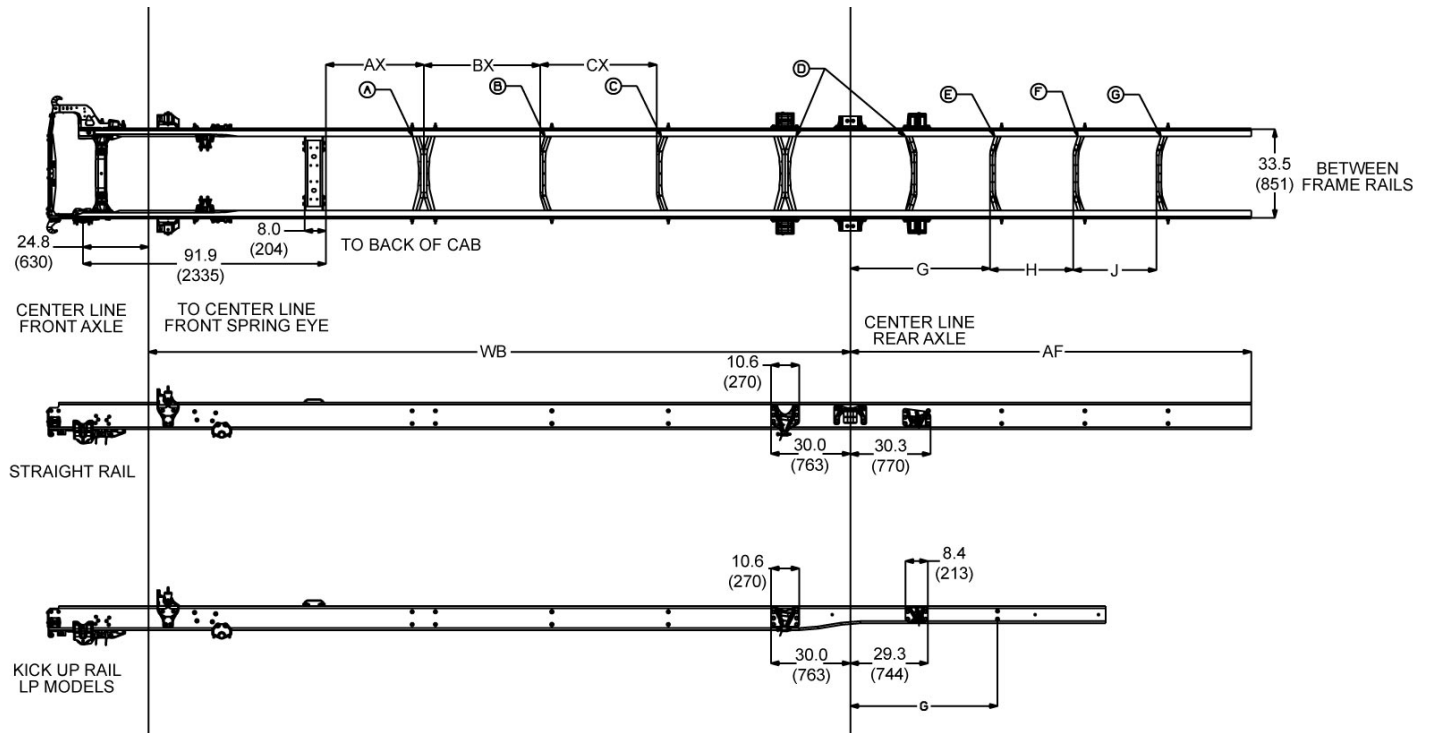


- (A) (B) SINGLE STAMPED CROSSMEMBER MOUNTED WITH FLAT FLANGE UP AND WEB FORWARD
- (D) REAR SUSPENSION CROSSMEMBER
- (E) WITH STRAIGHT RAILS – SINGLE STAMPED CROSSMEMBER MOUNTED WITH FLAT FLANGE DOWN AND WEB FORWARD. WITH KICK-UP RAILS – C-CHANNEL AF CROSSMEMBER
- (F) (G) WITH STRAIGHT RAILS – SINGLE STAMPED CROSSMEMBER MOUNTED WITH FLAT FLANGE DOWN AND WEB FORWARD

INTERMEDIATE CROSSMEMBER LOCATION

4x2 Crew Cab with Staggered Fuel Tanks

Wheelbase Range		AX	BX
Min	Max		
Inches (Millimeters)			
up to 183 (4650)		–	–
185 (4700)	195 (5000)	19 (494)	–
197 (5050)	211 (5350)	28 (718)	–
213 (5400)	224 (5700)	37 (942)	–
226 (5750)	236 (6100)	55 (1390)	–
238 (6150)	254 (6450)	19 (494)	44 (1120)
256 (6500)	266 (6750)	37 (942)	
268 (6800)	280 (7100)	46 (1166)	
282 (7150)	293 (7450)	55 (1390)	53 (1344)
295 (7500)	321 (8150)	62 (1568)	62 (1568)



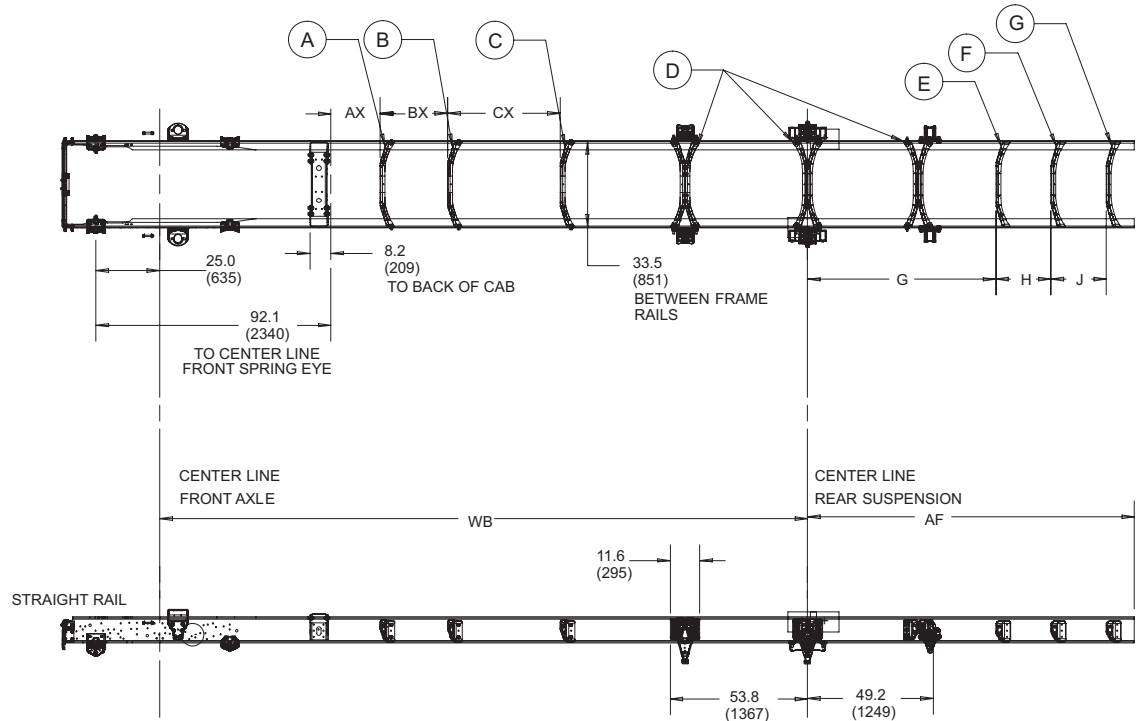
mv_ddcrossmember

INTERMEDIATE CROSSMEMBER LOCATION

INTERMEDIATE CROSSMEMBER LOCATION

6x4 Day Cab

Wheelbase Range		AX	BX	CX
Min	Max			
Inches (Millimeters)				
up to 158 (4000)		-	-	-
160 (4050)	197 (5000)	19 (489)	-	-
199 (5050)	211 (5350)	37 (937)	-	-
213 (5400)	224 (5700)	46 (1161)	-	-
226 (5750)	238 (6050)	37 (937)	35 (896)	-
240 (6100)	252 (6400)		44 (1120)	-
254 (6450)	266 (6750)	46 (1161)	53 (1344)	-
268 (6800)	280 (7100)		62 (1568)	26 (672)
282 (7150)	293 (7450)		35 (896)	53 (1344)
295 (7500)	307 (7800)	37 (937)	44 (1120)	62 (1568)
309 (7850)	321 (8150)		53 (1344)	
323 (8200)	331 (8400)			

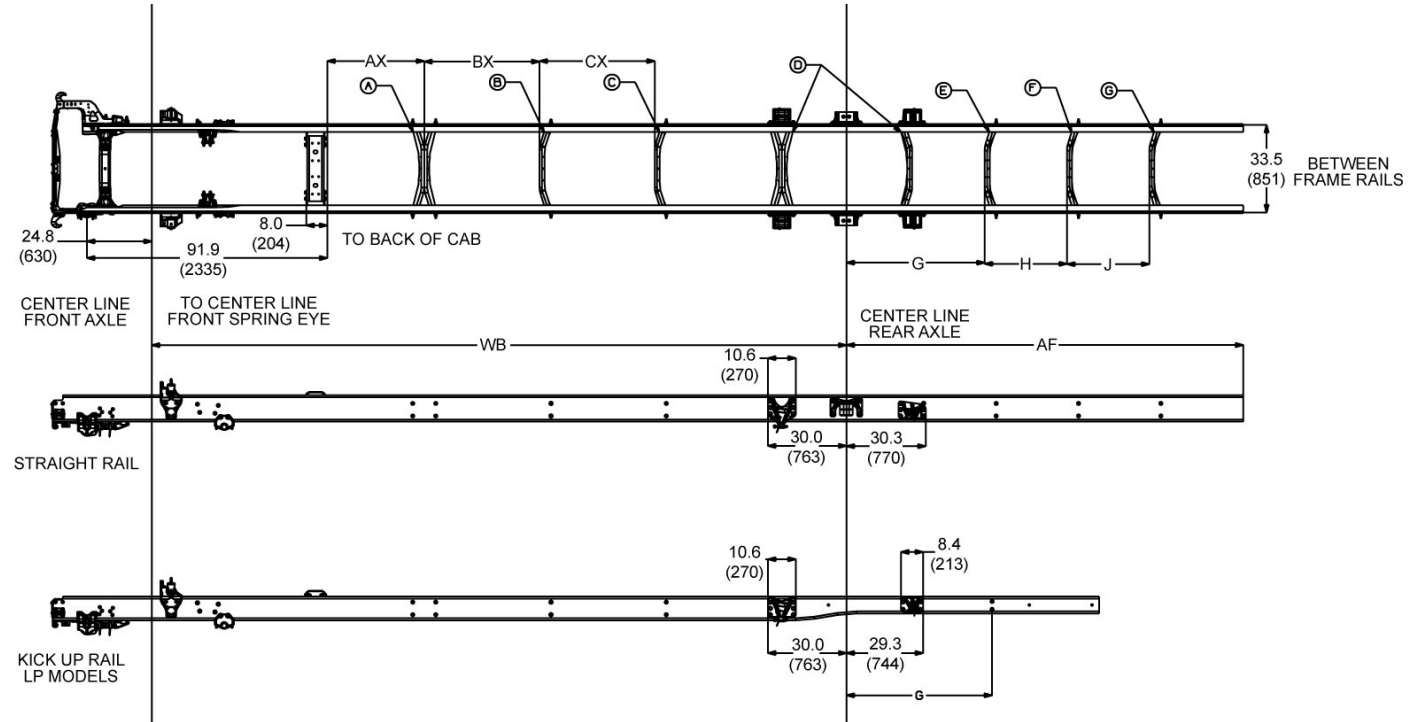


- (A) (B) (C) SINGLE STAMPED CROSSMEMBER MOUNTED WITH FLAT FLANGE UP AND WEB FORWARD
- (D) REAR SUSPENSION CROSSMEMBER – DOUBLE STAMPED CROSSMEMBER
- (E) (F) (G) STAMPED CROSSMEMBER MOUNTED WITH FLAT FLANGE UP

INTERMEDIATE CROSSMEMBER LOCATION

6x4 Day Cab with Staggered Fuel Tanks

Wheelbase Range		AX	BX	CX
Min	Max			
Inches (Millimeters)				
up to 157 (4000)		-	-	-
160 (4050)	197 (5000)	23 (567)	-	-
199 (5050)	211 (5350)	31 (791)	-	-
213 (5400)	224 (5700)	40 (1015)	-	-
226 (5750)	238 (6050)	31 (791)	41 (1042)	-
240 (6100)	252 (6400)		50 (1266)	-
254 (6450)	266 (6750)	40 (1015)	59 (1490)	-
268 (6800)	280 (7100)		67 (1714)	26 (672)
282 (7150)	293 (7450)		41 (1042)	53 (1344)
309 (7850)	321 (8150)	31 (791)	50 (1266)	
323 (8200)	331 (8400)		59 (1490)	62 (1568)



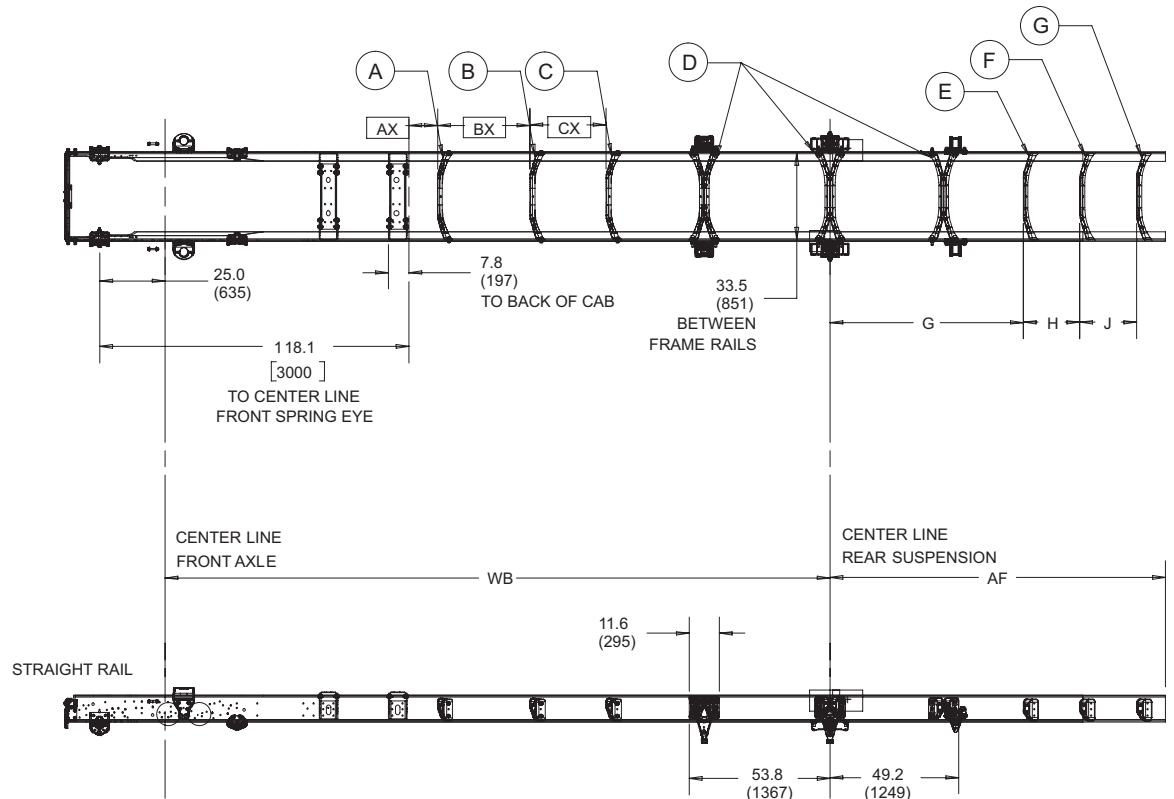
MV_ddcrossmember

INTERMEDIATE CROSSMEMBER LOCATION

INTERMEDIATE CROSSMEMBER LOCATION

6x4 Extended Cab

Wheelbase Range		AX	BX	CX
Min	Max			
Inches (Millimeters)				
up to 197 (5000)		-	-	-
199 (5050)	211 (5350)	11 (277)	-	-
213 (5400)	224 (5700)	20 (501)	-	-
226 (5750)	238 (6050)	11 (277)	35 (896)	-
240 (6100)	252 (6400)		44 (1120)	-
254 (6450)	266 (6750)	20 (501)	53 (1344)	-
268 (6800)	280 (7100)		62 (1568)	26 (672)
282 (7150)	293 (7450)		35 (896)	53 (1344)
295 (7500)	307 (7800)	11 (277)	44 (1120)	62 (1568)
309 (7850)	321 (8150)		53 (1344)	62 (1568)
323 (8200)	331 (8400)		53 (1344)	62 (1568)

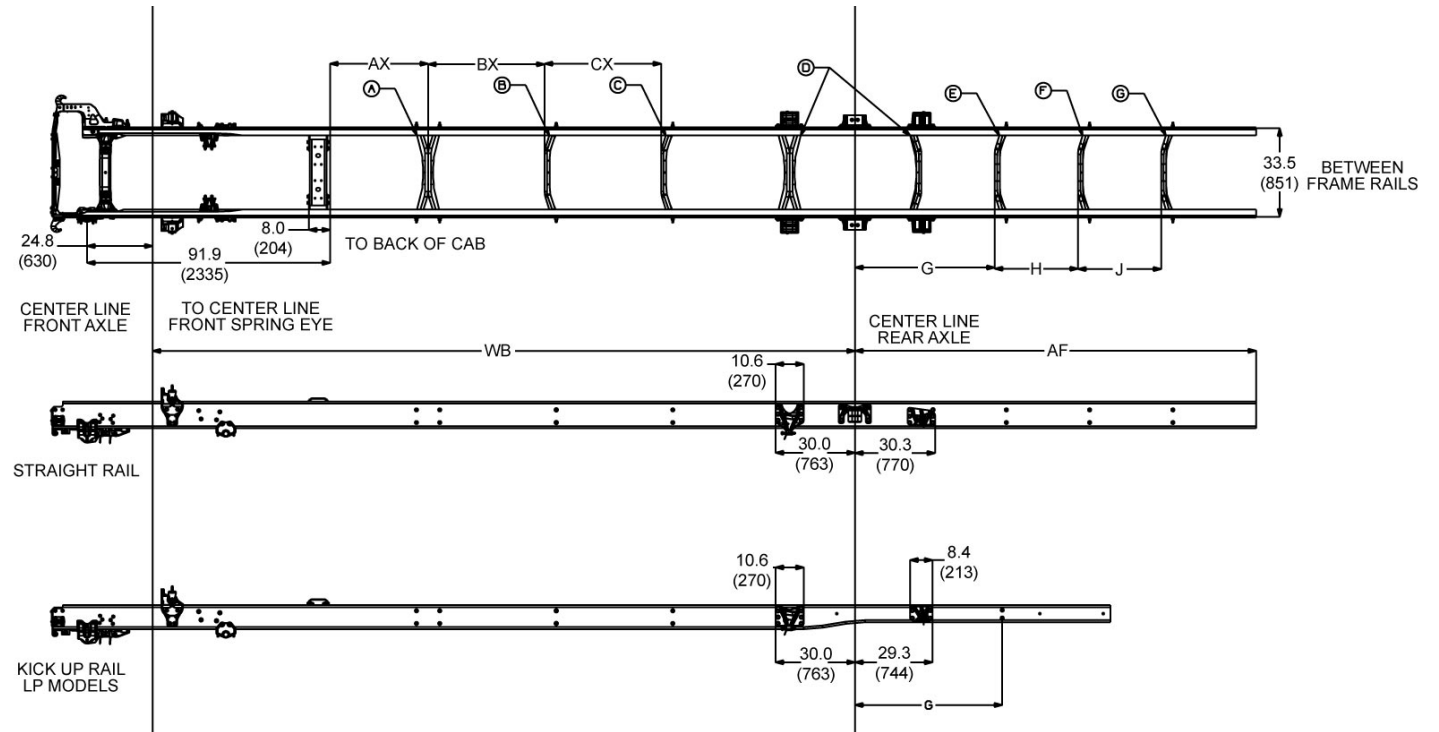


- (A) (B) (C) SINGLE STAMPED CROSSMEMBER MOUNTED WITH FLAT FLANGE UP AND WEB FORWARD
- (D) REAR SUSPENSION CROSSMEMBER – DOUBLE STAMPED CROSSMEMBER
- (E) (F) (G) STAMPED CROSSMEMBER MOUNTED WITH FLAT FLANGE UP

INTERMEDIATE CROSSMEMBER LOCATION

6x4 Extended Cab with Staggered Fuel Tanks

Wheelbase Range		AX	BX	CX
Min	Max			
Inches (Millimeters)				
up to 224 (5700)			-	-
226 (5750)	238 (6050)	14 (355)	32 (818)	-
240 (6100)	252 (6400)		41 (1042)	-
254 (6450)	266 (6750)		50 (1266)	-
268 (6800)	280 (7100)		59 (1490)	-
282 (7150)	293 (7450)		67 (1714)	26 (672)
295 (7500)	307 (7800)		32 (818)	53 (1344)
309 (7850)	321 (8150)		41 (1042)	
323 (8200)	331 (8400)		50 (1266)	62 (1568)



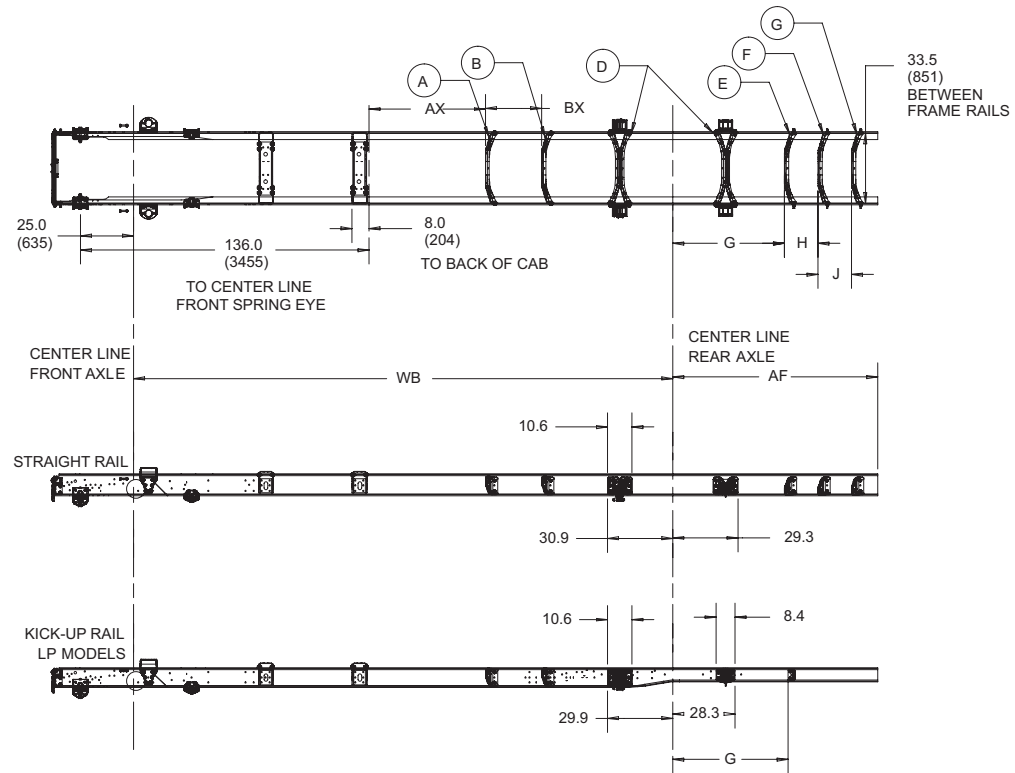
MV_ddcrossmember

INTERMEDIATE CROSSMEMBER LOCATION

INTERMEDIATE CROSSMEMBER LOCATION

6x4 Crew Cab

Wheelbase Range		AX	BX
Min	Max		
Inches (Millimeters)			
up to 211 (5350)		–	–
213 (5400)	224 (5700)	28 (718)	–
226 (5750)	238 (6050)		–
240 (6100)	252 (6400)	37 (942)	–
254 (6450)	266 (6750)	46 (1166)	–
268 (6800)	280 (7100)	55 (1390)	26 (672)
282 (7150)	293 (7450)	28 (718)	44 (1120)
295 (7500)	307 (7800)		53 (1344)
309 (7850)	321 (8150)	37 (942)	–

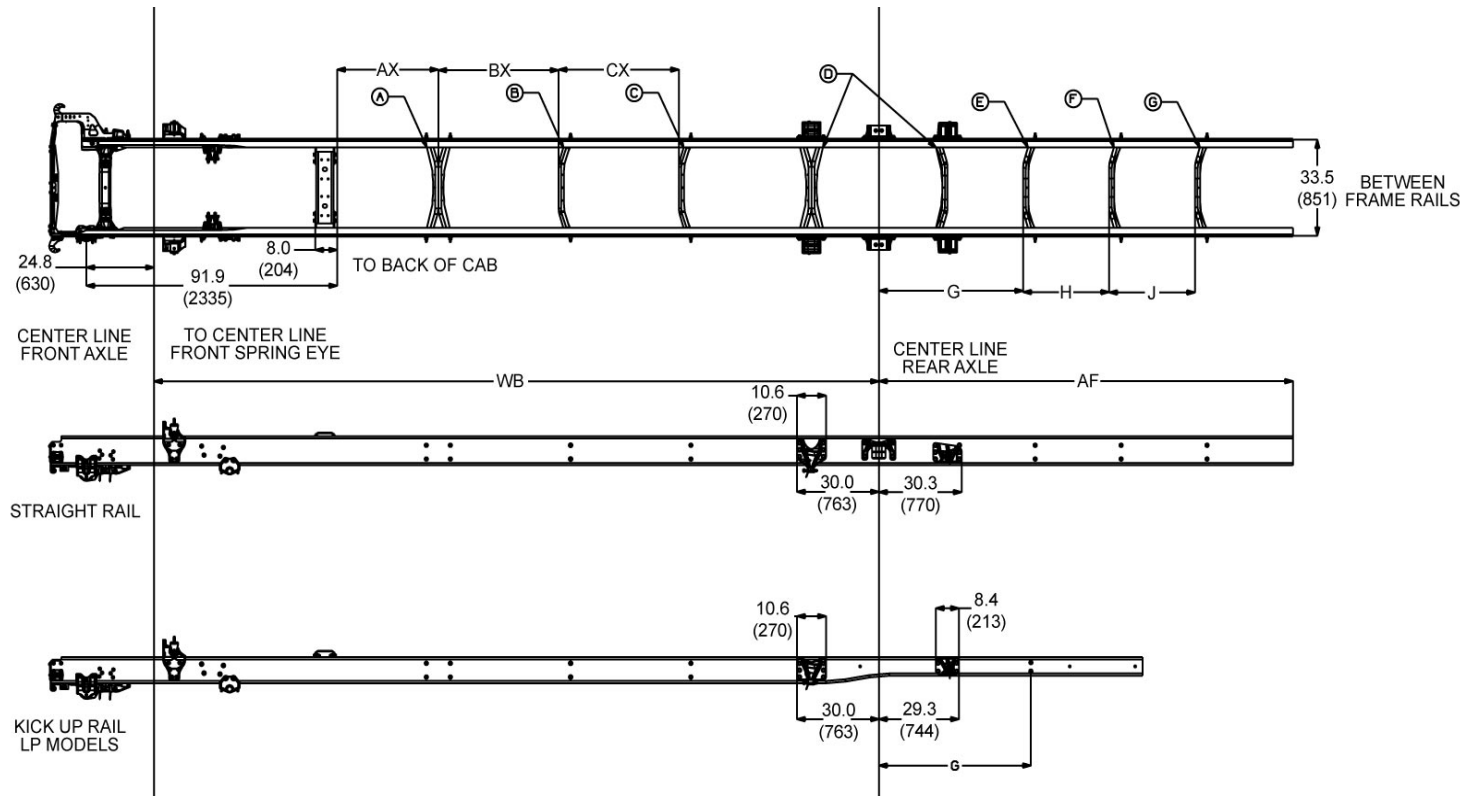


- (A) (B) SINGLE STAMPED CROSSMEMBER MOUNTED WITH FLAT FLANGE UP AND WEB FORWARD
- (D) REAR SUSPENSION CROSSMEMBER
- (E) WITH STRAIGHT RAILS – SINGLE STAMPED CROSSMEMBER MOUNTED WITH FLAT FLANGE DOWN AND WEB FORWARD. WITH KICK-UP RAILS – C-CHANNEL AF CROSSMEMBER
- (F) (G) WITH STRAIGHT RAILS – SINGLE STAMPED CROSSMEMBER MOUNTED WITH FLAT FLANGE DOWN AND WEB FORWARD

INTERMEDIATE CROSSMEMBER LOCATION

6x4 Crew Cab with Staggered Fuel Tanks

Wheelbase Range		AX	BX
Min	Max		
Inches (Millimeters)			
up to 211 (5350)		—	—
213 (5400)	224 (5700)	28 (718)	—
226 (5750)	238 (6050)		—
240 (6100)	252 (6400)	37 (942)	—
254 (6450)	266 (6750)	46 (1166)	—
268 (6800)	280 (7100)	55 (1390)	26 (672)
282 (7150)	293 (7450)	28 (718)	44 (1120)
295 (7500)	307 (7800)		53 (1344)
309 (7850)	321 (8150)	37 (942)	—



MV_ddcrossmember

AF CROSSMEMBER LOCATIONS

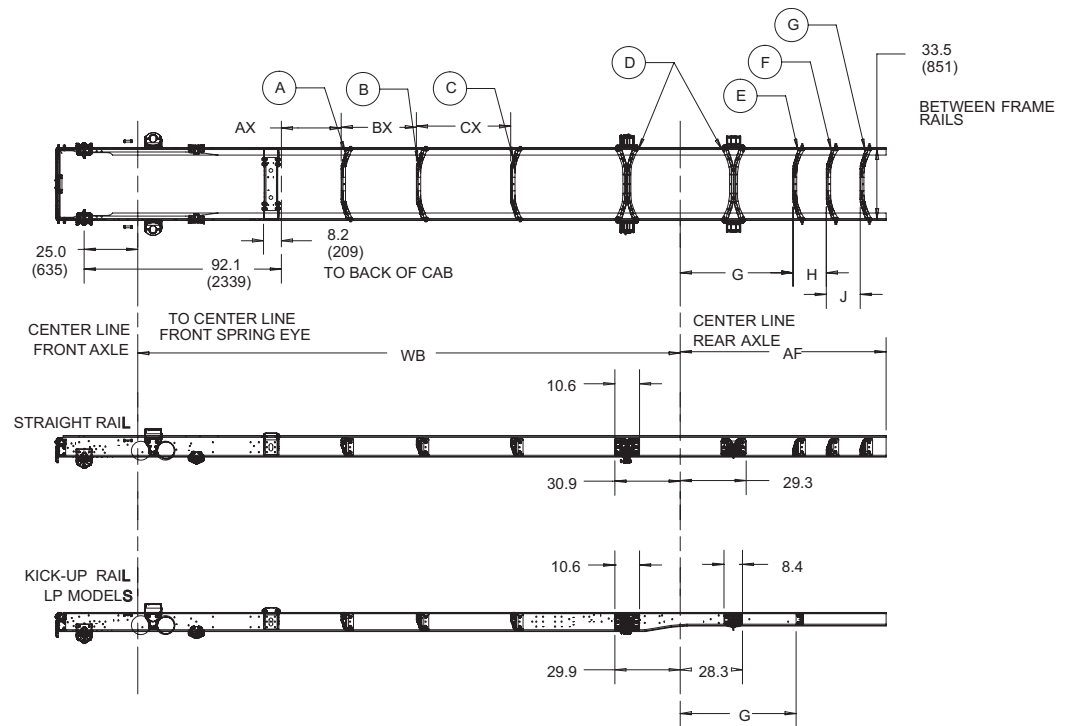
4x2

With Straight Rails

Crossmember	AF Range		G	H	J
	Min	Max			
Inches (Millimeters)					
1	85 (2150)	175 (4450)	53 (1338)	—	—
2	116 (2950)			31 (800)	—
3	144 (3650)			31 (800)	—

With LP Rails

Crossmember	AF	G
	Inches (Millimeters)	
1	96 (2450)	51 (1298)



- (A) (B) (C) SINGLE STAMPED CROSSMEMBER MOUNTED WITH FLAT FLANGE UP AND WEB FORWARD
- (D) REAR SUSPENSION CROSSMEMBER
- (E) WITH STRAIGHT RAILS – SINGLE STAMPED CROSSMEMBER MOUNTED WITH FLAT FLANGE DOWN AND WEB FORWARD. WITH KICK-UP RAILS – C-CHANNEL AF CROSSMEMBER
- (F) (G) WITH STRAIGHT RAILS – SINGLE STAMPED CROSSMEMBER MOUNTED WITH FLAT FLANGE DOWN AND WEB FORWARD

AF CROSSMEMBER LOCATIONS

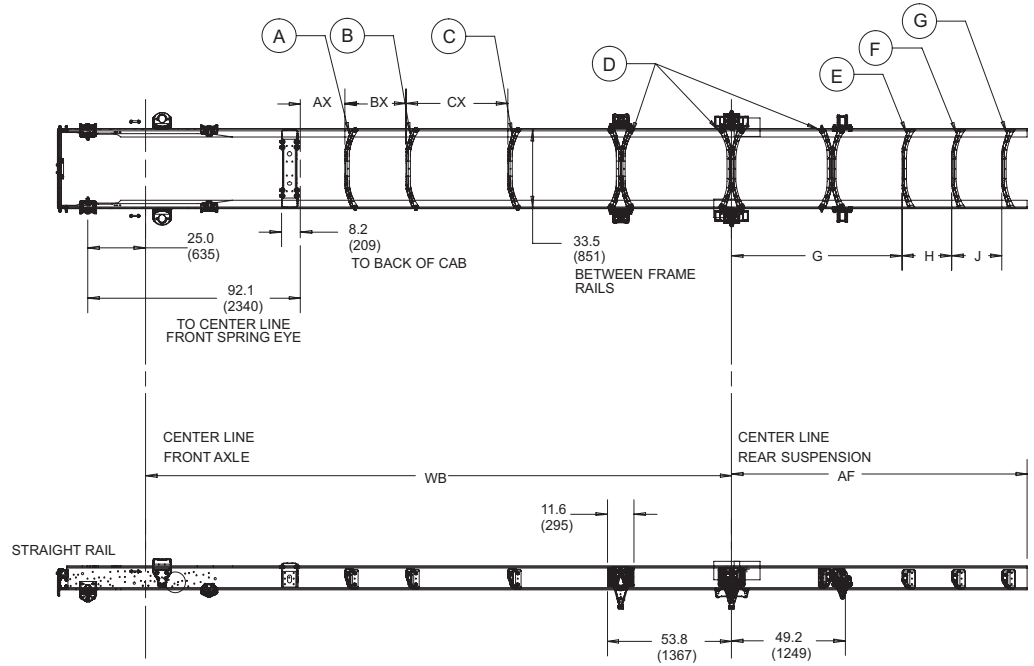
6x4

With 52" Spread Suspension

Crossmember	AF Range		G	H	J
	Min	Max			
Inches (Millimeters)					
1	104 (2650)	175 (4450)	72 (1838)	-	-
2	134 (3400)			30 (750)	-
3	163 (4150)			30 (750)	-

With 55" and 60" Spread Suspension

Crossmember	AF Range		G	H	J
	Min	Max			
Inches (Millimeters)					
1	112 (2650)	175 (4450)	80 (2038)	-	-
2	142 (3600)			30 (750)	-
3	171 (4350)			30 (750)	-

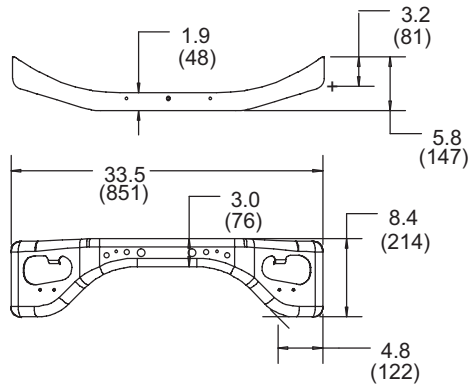


- (A) (B) (C) SINGLE STAMPED CROSSMEMBER MOUNTED WITH FLAT FLANGE UP AND WEB FORWARD
- (D) REAR SUSPENSION CROSSMEMBER – DOUBLE STAMPED CROSSMEMBER
- (E) (F) (G) STAMPED CROSSMEMBER MOUNTED WITH FLAT FLANGE UP

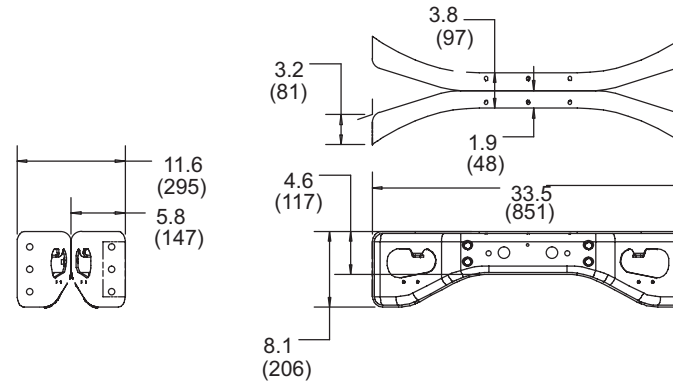
01_0063

CROSSMEMBERS

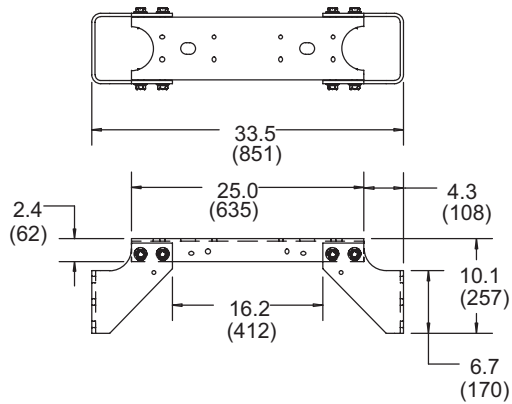
All Models



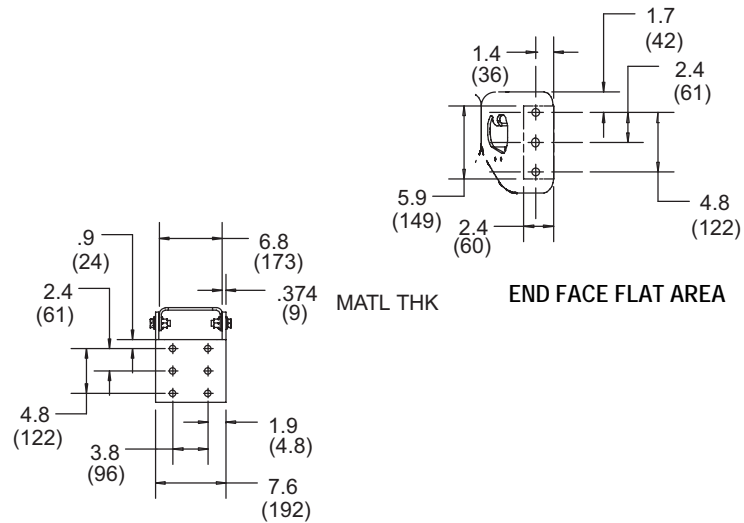
SINGLE STAMPED CROSSMEMBER



DOUBLE STAMPED CROSSMEMBER

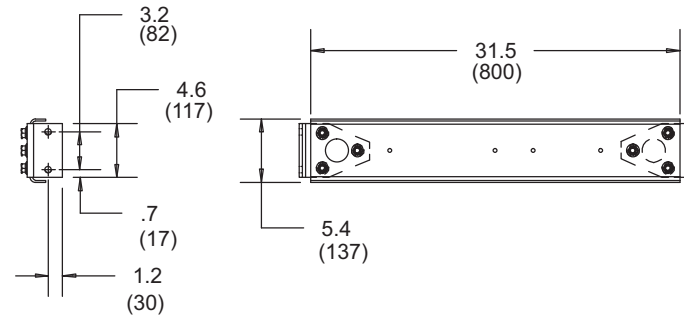
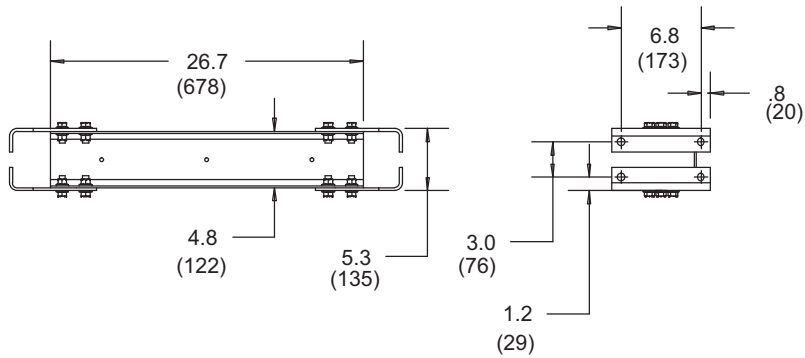
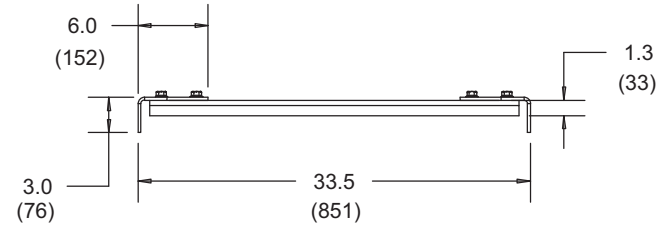
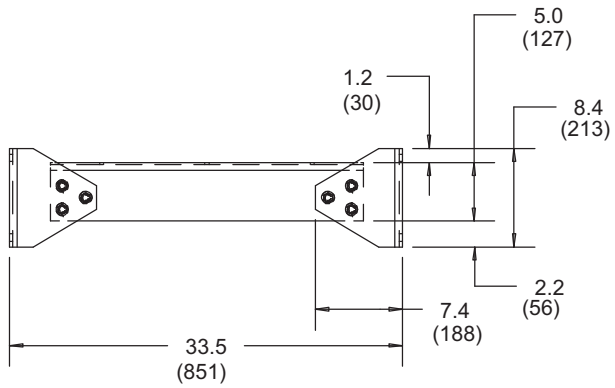


REAR CAB MOUNTING CROSSMEMBER



Crossmembers With Tapered Rails

LP



"C" CHANNEL REAR SUSPENSION CROSSMEMBER

"C" CHANNEL AF CROSSMEMBER

01_0067

FRAME DRILLING GUIDELINES

All Models

The drilling of the frame sidemember presents no unusual difficulty. Standard high speed steel drills of good quality will serve provided they are sharpened properly and not overheated during sharpening or use.

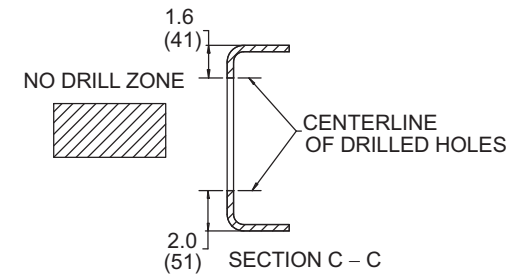
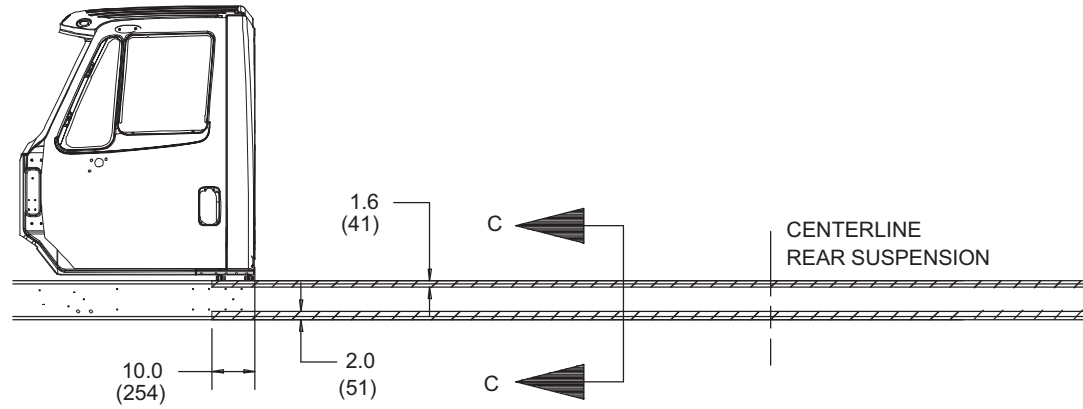
Hole Location Guidelines

1. Never drill holes into the restricted areas of the frame rails. Refer to diagrams on the following pages.
2. Use existing holes whenever possible.
3. Maintain a minimum of 0.75 inch (19 mm) of material between holes.
4. There should not be more than three holes located on a vertical line.
5. Bolt holes should be no larger than is required for the size of bolts being used, in no instance larger than 11/16 (.688 inch).
6. If reinforcements are used, avoid drilling holes closer than 2.0 inches (51 mm) from the ends of the reinforcement.
7. Bolts must be periodically checked to insure that the proper torque and clamping force is maintained.
8. Never drill any holes in the flanges of the frame rail.

FRAME DRILLING RESTRICTIONS

4x2 and 6x4 Non-LP

Straight Rails/Straight Trucks

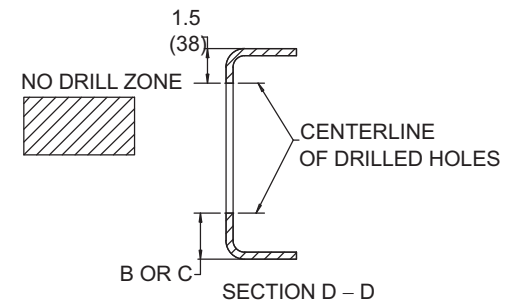
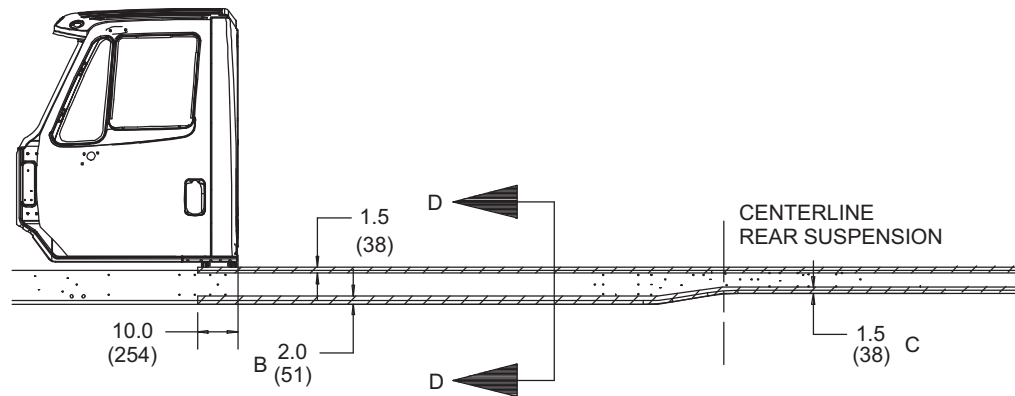


01_0068

FRAME DRILLING RESTRICTIONS

LP

Tapered Rails



MAXIMUM WHEELBASE AVAILABILITY CHART

Feature	Front Axle Rating	WB (in)																										Recommended Wheelbase Limit	Maximum Wheelbase Limit	
		130	140	150	160	170	180	190	200	210	220	230	240	250	260	270	280	290	300	310	320	330	340	350	360	370	380			
01CAA	8K																									254		254		
	9K																									254		254		
	10K*	152																								217		217		
	11K																													
	12K																													
	13K																													
	14K																													
01CAB	8K																									285	311	311		
	9K																									260	293	293		
	10K																									260	293	293		
	11K																													
	12K																													
	13K																													
	14K																													
01CAC	8K																									285	311	311		
	9K																									260	293	293		
	10K																									260	293	293		
	11K																											171		
	12K																											171		
	13K																													
	14K																													
01CAD	8K																											311		
	9K																									260	311	311		
	10K																									260	311	311		
	11K																			171	272	272								
	12K	171																								272		272		
	13K																													
	14K																													
01CAE, 01CEK	8K																									283	297	297		
	9K																									283	297	297		
	10K																									283	297	297		
	11K																									254	266	266		
	12K																									238	252	252		
	13K	224																								238		238		
	14K	213																								236		236		
01CAG, 01CEL	8K																											311		
	9K																											311		
	10K																											311		
	11K																									283	297	297		
	12K																									266	278	278		
	13K																									248	260	260		
	14K	230																								242		242		

MAXIMUM WHEELBASE AVAILABILITY CHART

Feature	Front Axle Rating	WB (in)																								Recommended Wheelbase Limit	Maximum Wheelbase Limit
		130	140	150	160	170	180	190	200	210	220	230	240	250	260	270	280	290	300	310	320	330	340	350	360		
01CAH, 01CEM	8K																					311		311			
	9K																					311		311			
	10K																					311		311			
	11K																			299	311	299	311				
	12K																			293	307	293	307				
	13K																	276	301	276	301						
	14K															256	291	256	291								

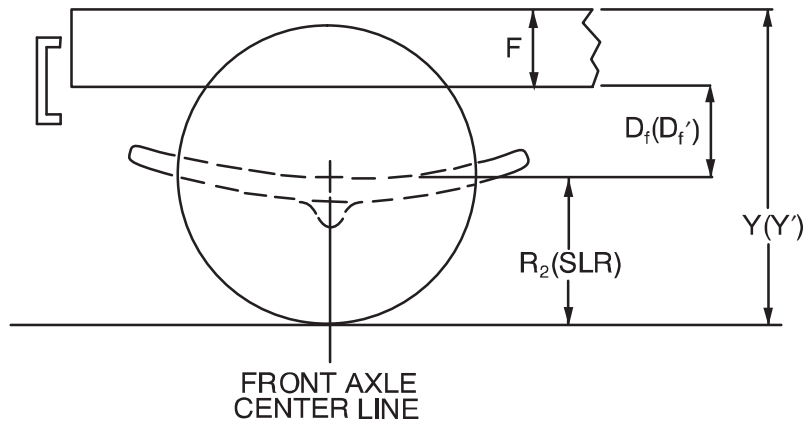
NOTE:

* Bucket lift application requires 152" wheelbase or less. Ambulance and rescue applications require 217" wheelbase or less. Contact Application Engineering if your wheelbase or axle load exceeds the values given.

FRAME HEIGHT CALCULATION – AT CENTERLINE OF FRONT AXLE

All Models

The front frame height (@ the centerline of the front axle) may be calculated using the following equations. Refer to the illustration for a visual explanation of the symbols used in these calculations.



01_0071

- D_f = Wheel axis to bottom of frame in unladen position. Refer to tabulated data.
- D_f' = Wheel axis to bottom of frame in loaded position. Refer to tabulated data.
- F = Frame rail height. Refer to tabulated data.
- SLR = Static Loaded Radius. The distance from the wheel axis to the ground for a properly inflated, fully loaded (loaded to its maximum capacity) tire. To obtain tire dimensions, contact the tire manufacturer.
- R_1 = Tire Radius (one half of tire outside diameter) **NOT** mounted on the vehicle. To obtain tire dimensions, contact the tire manufacturer.
- R_2 = Calculated Tire Radius on an unloaded chassis. The value of R_2 is calculated using the following method.

$$R_2 = R_1 - .2(R_1 - SLR)$$

- Y = Front Frame Height at the front axle centerline in unladen condition.
- Y' = Front Frame Height at the front axle centerline in loaded condition.

$$Y = D_f + R_2 + F$$

(for unladen condition)

$$Y' = D_f' + SLR + F$$

(for loaded condition)

NOTE: Values calculated for Y and Y' are strictly for the frame height at the front axle centerline. For frame heights at the front of the frame rail, refer to “FRAME HEIGHT CALCULATION – AT FRONT AND REAR RAIL ENDS”.

*FRAME HEIGHT DATA – FRONT**All Models*

Front Suspension			Spindle To Bottom Of Frame		Model		
Type	Capacity	Code	Unloaded – D _r	Loaded – D _r '	LP	4x2	6x4
Parabolic	8,000-lb	03ADA	5.5"	4.5"	X	X	
			12.4"	12.2"			
	9,000-lb	03AGW	6.6"	5.6"	X	X	
	10,000-lb	03ADB	7.1"	5.5"	X	X	
			12.4"	11.5"			
	11,000-lb	03AGE	7.1"	5.5"		X	
	12,000-lb	03ADC	7.5"	5.6"		X	
	13,000-lb	03AGS	7.1"	5.5"		X	
14,000-lb	03ADD	7.4"	5.7"		X		
14,600-lb	03AGT	7.58"	6.1"		X		

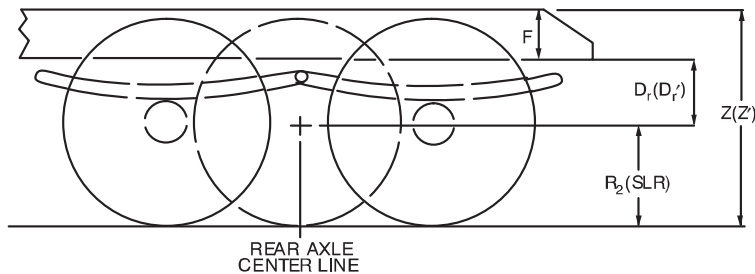
* Top of standard frame in model
Adjust dimensions for optional frame reinforcements – See Frame Section

Frame Code	Frame Description	Frame Rail Height (F)
01CAA	5/16" x 9 1/8" Tapered Rail – 80 psi Yield Strength	9.125"
01CAB	5/16" x 9 1/8" Straight Rail – 80 psi Yield Strength	9.125"
01CAD	3/8" x 10 1/4" Straight Rail – 80 psi Yield Strength	10.250"
01CAE/01CEK	5/16" x 10 1/8" Straight Rail – 120 psi Yield Strength	10.125"
01CAG/01CEL	3/8" x 10 1/4" Straight Rail – 120 psi Yield Strength	10.250"
01CAH/01CEM	7/16" x 10 3/8" Straight Rail – 120 psi Yield Strength	10.375"

FRAME HEIGHT CALCULATION – AT CENTERLINE OF REAR AXLE

All Models

The rear frame height (@ the centerline of the rear axle) may be calculated using the following equations. Refer to the illustration for a visual explanation of the symbols used in these calculations.



01_0072

- D_r** = Wheel axis to bottom of frame in unladen position. Refer to tabulated data.
- D_r'** = Wheel axis to bottom of frame in loaded position. Refer to tabulated data.
- F** = Frame rail height. Refer to tabulated data.
- SLR** = Static Loaded Radius. The distance from the wheel axis to the ground for a properly inflated, fully loaded (loaded to its maximum capacity) tire. To obtain tire dimensions, contact the tire manufacturer.
- R_1** = Tire Radius (one half of tire outside diameter) **NOT** mounted on the vehicle. To obtain tire dimensions, contact the tire manufacturer.
- R_2** = Calculated Tire Radius on an unloaded chassis. The value of **R_2** is calculated using the following method.

$$R_2 = R_1 - .2(R_1 - SLR)$$

Rear Frame Height at the rear axle centerline in unloaded condition.

- Z'** = Rear Frame Height at the rear axle centerline in loaded condition.

$$Z = D_r + R_2 + F \quad (\text{for unloaded condition})$$

$$Z' = D_r' + SLR + F \quad (\text{for loaded condition})$$

NOTE: Values calculated for **Z** and **Z'** are strictly for the frame height at the rear axle centerline. For frame heights at the rear of the frame rail, refer to “FRAME HEIGHT CALCULATION – AT FRONT AND REAR RAIL ENDS”.

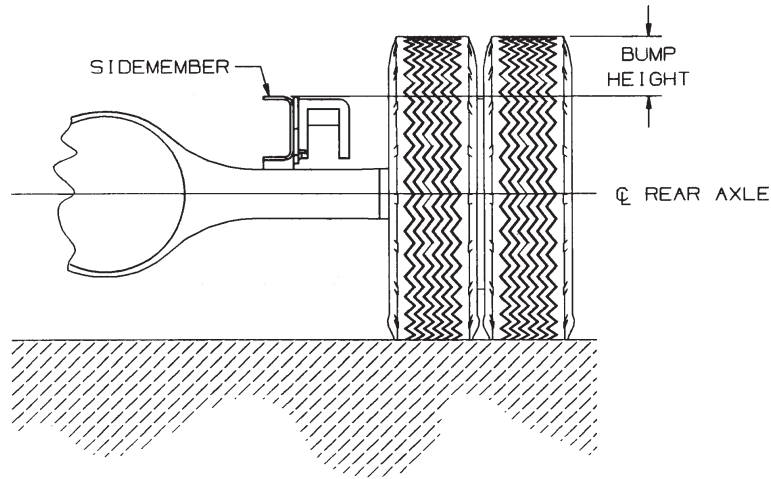
BUMP HEIGHTS – REAR

All Models

“Bump Height” refers to the maximum distance of the tires above the side rails as the rear axle of the truck travels over an object. Bump Heights are important in the selection of truck bodies since it may be necessary to incorporate wheelwells into the body floor to allow adequate clearance for tire travel.

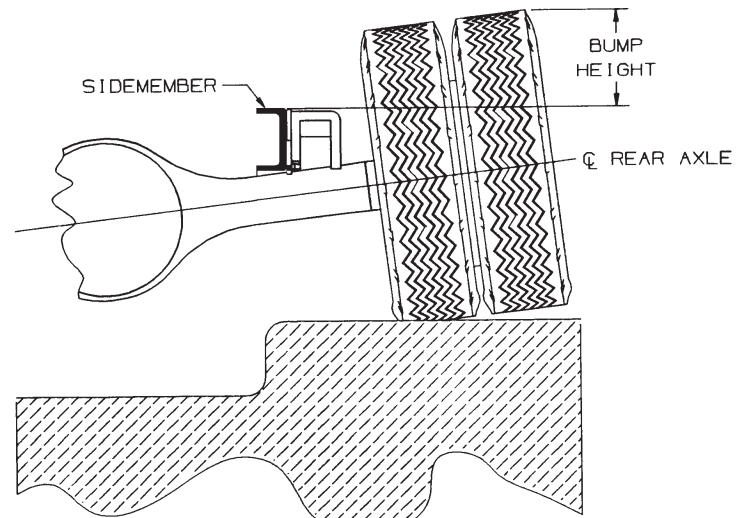
Straight Bump Height is used when both sets of wheels travel over an object at the same time, such as a parking lot speed bump.

Cocked Bump Height refers to the condition that exists when only one set of rear wheels travels over an object — an example of this would be climbing over a curb when turning a corner. The Cocked Bump Height Charts presented here assume a 7° deflection from horizontal.



STRAIGHT BUMP HEIGHT

01_0073



COCKED BUMP HEIGHT (@ 7° DEFLECTION)

01_0074

- "= Wheel Axis to bottom of frame in straight bump position. Refer to tabulated data.
- Tire radius (one-half of tire outside diameter) NOT mounted on the vehicle. To obtain tire dimensions, contact the tire manufacturer.
- Frame Rail Height.

<p>Straight Bump Height = $R_1 - D_r'' - F$</p> <p>Cocked Bump Height = Straight Bump Height + 3.5 In.</p>

FRAME AND BUMP HEIGHT DATA – REAR

All Models

Model	Frame Code	Frame Rail Height (F)	Rear Suspension		Spindle to Bottom of Sidemember		
			Type	Capacity	Unloaded – D _r	Loaded – D _r '	Bump – D _r ''
LP	01CAA	9.125"	Air	12,000	5.30" ± .25"	–	–
				15,500			
				18,500			
4x2 (non-LP)	01CAC	10.125"	Air	20,000 to 23,000	9.26" ± .25"	9.26" ± .25"	–
	01CAD	10.250"			9.38" ± .25"	9.38" ± .25"	
	01CAE, 01CEK	10.125"			9.26" ± .25"	9.26" ± .25"	
	01CAG, 01CEL	10.250"			9.38" ± .25"	9.38" ± .25"	
	01CAH, 01CEM	10.375"			9.51" ± .25"	9.51" ± .25"	
6x4	01CAE, 01CEK	10.125"	Air	40,000	9.26" ± .25"	9.26" ± .25"	–
	01CAG, 01CEL	10.250"			9.38" ± .25"	9.38" ± .25"	
	01CAH, 01CEM	10.375"			9.51" ± .25"	9.51" ± .25"	
LP	01CAA	9.125"	Vari-Rate	13,500	6.6" ± .50"	3.75" ± .50"	1.9" ± .50"
4x2 (non-LP)	01CAB	9.125"	Vari-Rate	13,500	7.31" ± .50"	–	–
	01CAC	10.125"			8.31" ± .50"		
	01CAD	10.250"			8.43" ± .50"		
	01CAE, 01CEK	10.125"			8.31" ± .50"		
	01CAG, 01CEL	10.250"			8.43" ± .50"		
	01CAH, 01CEM	10.375"			8.56" ± .50"		
LP	01CAA	9.125"	Vari-Rate	15,500	6.66" ± .50"	4.01" ± .50"	1.81" ± .50"
4x2 (non-LP)	01CAB	9.125"	Vari-Rate	15,500	6.37"	3.79"	1.59"
	01CAC	10.125"			7.37"	4.79"	2.59"
	01CAD	10.250"			7.49"	4.92"	2.72"
	01CAE, 01CEK	10.125"			7.37"	4.79"	2.59"
	01CAG, 01CEL	10.250"			7.49"	4.92"	2.72"
	01CAH, 01CEM	10.375"			7.62"	5.04"	2.84"

FRAME AND BUMP HEIGHT DATA – REAR (CONTINUED)

Model	Frame Code	Frame Rail Height (F)	Rear Suspension		Spindle to Bottom of Sidemember		
			Type	Capacity	Unloaded – D _r	Loaded – D _r '	Bump – D _r ''
LP	01CAA	9.125"	Vari-Rate	18,500	7.78"	4.48"	2.2"
4x2 (non-LP)	01CAB	9.125"	Vari-Rate	18,500	7.81"	5.03"	2.83"
	01CAC	10.125"			8.81"	6.03"	3.83"
	01CAD	10.250"			8.93"	6.16"	3.96"
	01CAE, 01CEK	10.125"			8.81"	6.03"	3.83"
	01CAG, 01CEL	10.250"			8.93"	6.16"	3.96"
	01CAH, 01CEM	10.375"			9.06"	6.28"	4.08"
LP	01CAA	9.125"	Vari-Rate	20,000	8.125"	4.75"	2.5"
4x2 (non-LP)	01CAB	9.125"	Vari-Rate	20,000	8.26" ± .50"	5.31"	3.13"
	01CAC	10.125"			9.26" ± .50"	6.31"	4.13"
	01CAD	10.250"			9.38" ± .50"	6.44"	4.26"
	01CAE, 01CEK	10.125"			9.26" ± .50"	6.31"	4.13"
	01CAG, 01CEL	10.250"			9.38" ± .50"	6.44"	4.26"
	01CAH, 01CEM	10.375"			9.51" ± .50"	6.56"	4.38"
4x2 (non-LP)	01CAB	9.125"	Vari-Rate	23,500			
	01CAC	10.125"			9.68"	6.13"	3.93"
	01CAD	10.250"			9.81"	6.26"	4.06"
	01CAE, 01CEK	10.125"			9.68"	6.13"	3.93"
	01CAG, 01CEL	10.250"			9.81"	6.26"	4.06"
	01CAH, 01CEM	10.375"			9.93"	6.38"	4.18"

FRAME AND BUMP HEIGHT DATA – REAR (CONTINUED)

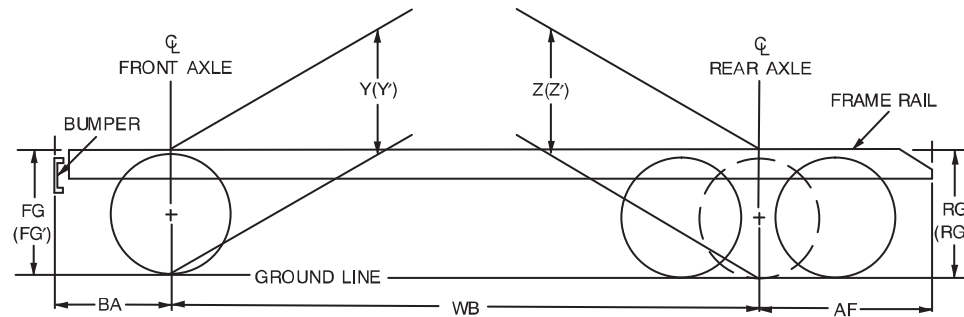
Model	Frame Code	Frame Rail Height (F)	Rear Suspension		Spindle to Bottom of Sidemember		
			Type	Capacity	Unloaded – D _r	Loaded – D _r '	Bump – D _r ''
4x2 (non-LP)	01CAD	10.250"	Vari-Rate	31,000	10.18"	6.24"	4.24"
	01CAE, 01CEK	10.125"			10.06"	6.12"	4.12"
	01CAG, 01CEL	10.250"			10.18"	6.24"	4.24"
	01CAH, 01CEM	10.375"			10.43"	6.49"	4.49"
4x2 (non LP)	01CAE	10.125"	Chalmers 1030	30,000			
6x4	01CAE, 01CEK	10.125"	Multileaf	34,000			
	01CAG, 01CEL	10.250"					
	01CAH, 01CEM	10.375"					
6x4	01CAE, 01CEKE	10.125"	Multileaf	40,000	10.88" ± .50"	9.50" ± .50"	8.10" ± .50"
	01CAG, 01CEL	10.250"			11.03" ± .50"	9.63" ± .50"	8.23" ± .50"
	01CAH, 01CEM	10.375"			11.15" ± .50"	9.75" ± .50"	8.35" ± .50"

FRAME HEIGHT CALCULATION – AT FRONT AND REAR RAIL ENDS

FRAME HEIGHT CALCULATION – AT FRONT AND REAR RAIL ENDS

All Models

Now that we have learned to calculate the frame height at both the front and rear axle centerlines, we can determine the frame height values at both rail ends.



First we must determine the rake of the frame (i.e., the slope of the frame from front end to rear end). If the front end of the frame is higher than the rear end (i.e., $Y > Z$ or $Y' > Z'$) then the truck is said to have a negative rake. In this situation, the equations for determining the frame height at the rail ends are:

For situations where the rake is positive (i.e., $Y < Z$ or $Y' < Z'$) the equations for determining frame height at the rail ends are:

Frame Height @ Front End of Rail:

$$FG = Y + \left(\frac{Y - Z}{WB} \times BA \right)$$

(for unloaded condition)

$$FG' = Y' + \left(\frac{Y' - Z'}{WB} \times BA \right)$$

(for loaded condition)

Frame Height @ Front End of Rail:

$$FG = Y - \left(\frac{Z - Y}{WB} \times BA \right)$$

(for unloaded condition)

$$FG' = Y' - \left(\frac{Z' - Y'}{WB} \times BA \right)$$

(for loaded condition)

Frame Height @ Rear End of Rail:

$$RG = Z - \left(\frac{Y - Z}{WB} \times AF \right)$$

(for unloaded condition)

$$RG' = Z' - \left(\frac{Y' - Z'}{WB} \times AF \right)$$

(for loaded condition)

Frame Height @ Rear End of Rail:

$$RG = Z + \left(\frac{Z - Y}{WB} \times AF \right)$$

(for unloaded condition)

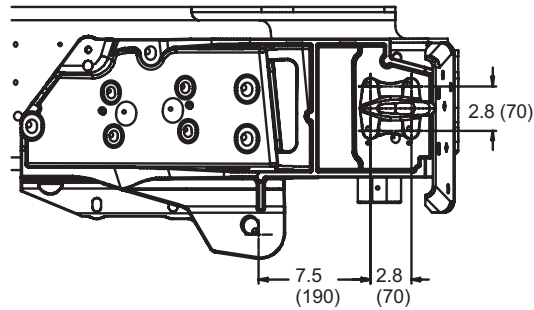
$$RG' = Z' + \left(\frac{Z' - Y'}{WB} \times AF \right)$$

(for loaded condition)

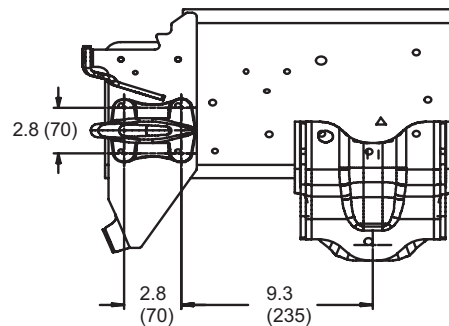
FRONT BUMPER AND TOW HOOKS

With Cummins B6.7 Engine

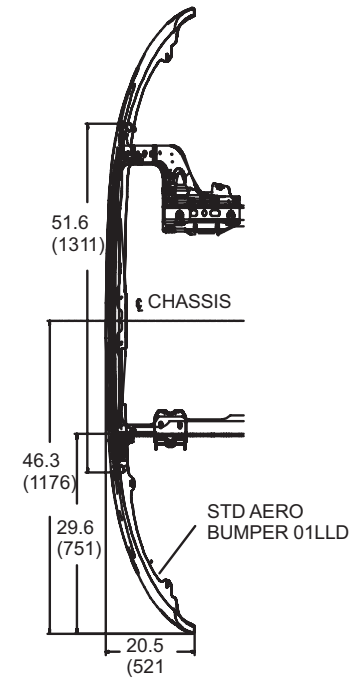
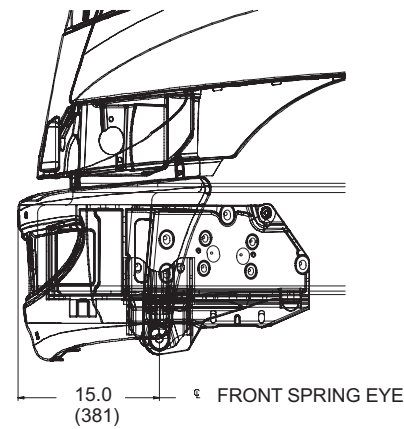
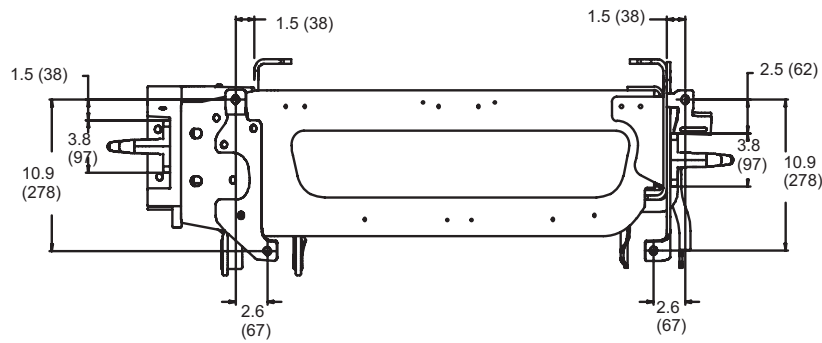
Front Aero Bumper (01LLD) and Front Tow Hooks (01570)



RIGHT SIDE



LEFT SIDE

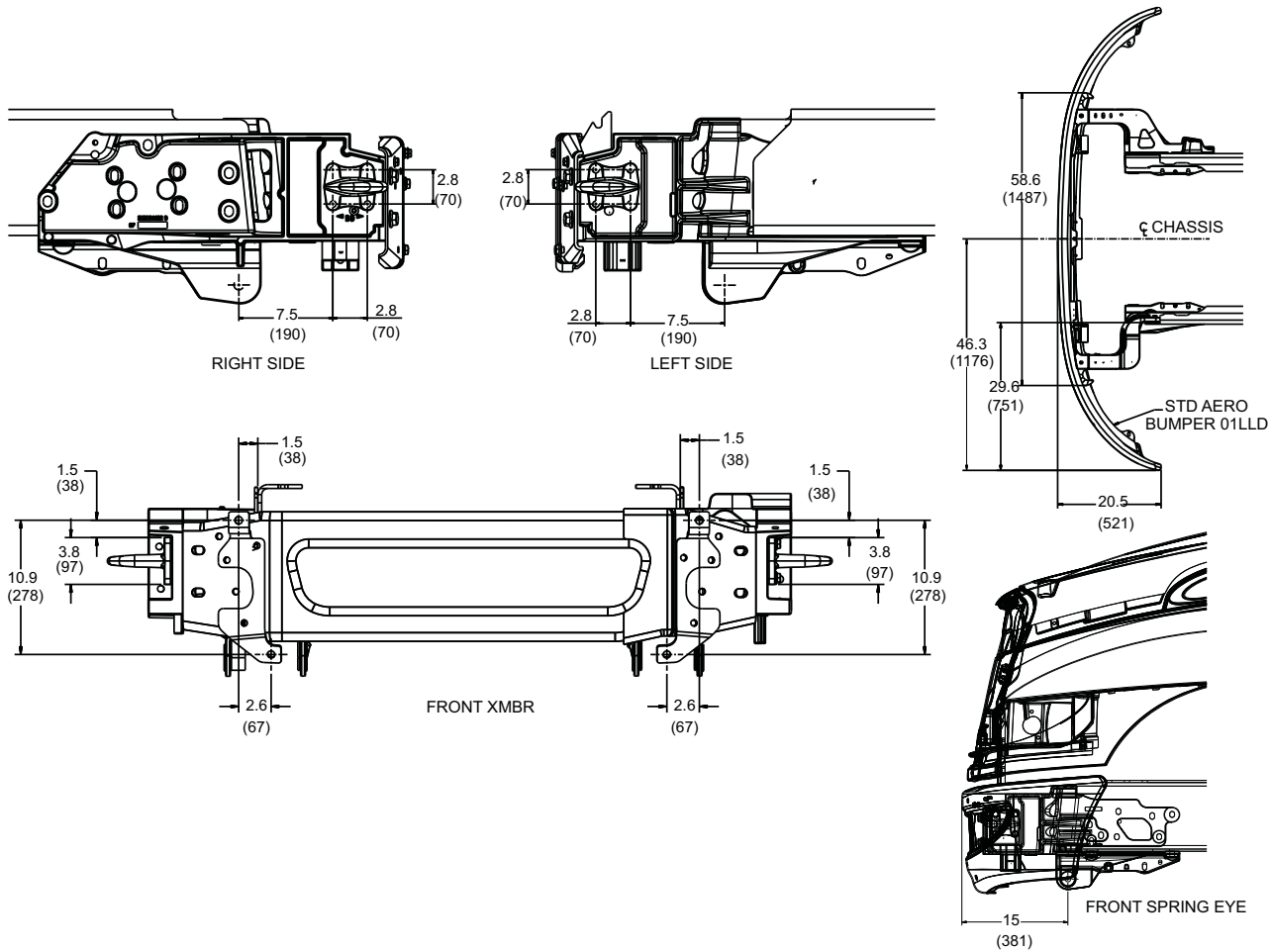


01_0076

FRONT BUMPER AND TOW HOOKS

With Cummins L9 Engine

Front Aero Bumper (01LLD) and Front Tow Hooks (01570)

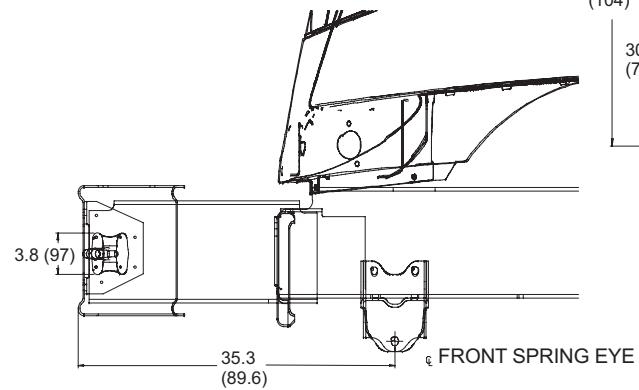
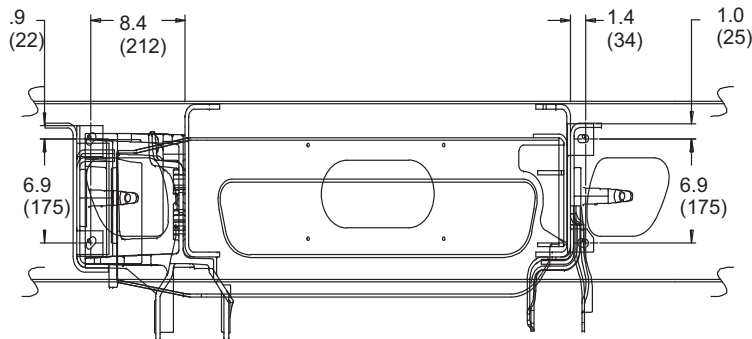
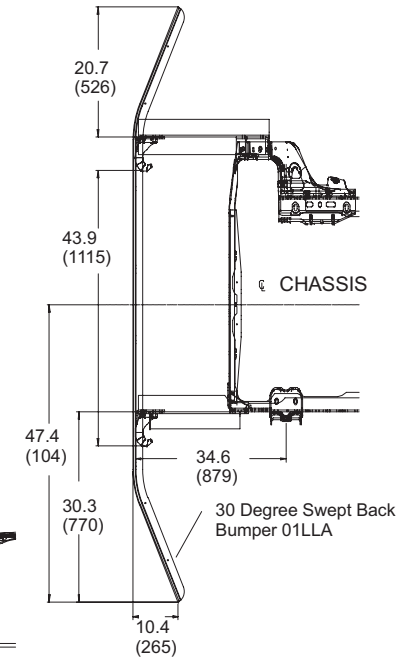
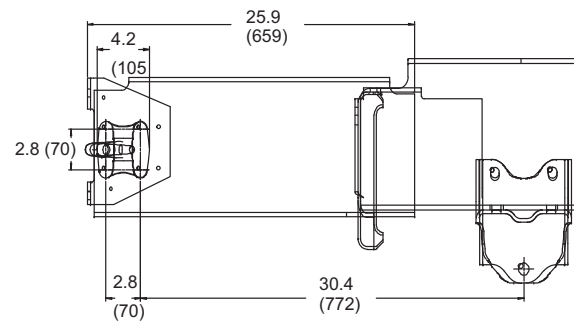
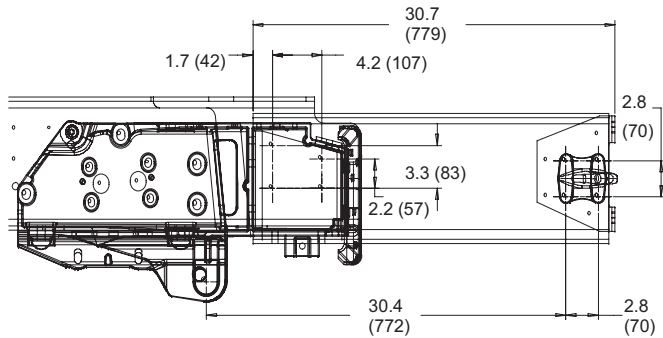


Front Bumper, Tow Hooks and Extensions

4x2 and LP

Swept Back Front Bumper (01LLA), Front Tow Hook (01570) and Bolt-On Front Frame Extension (01WDR)

NOTE: Bolt On Type Front Frame Extensions are not suitable for Snow Plow mounting.



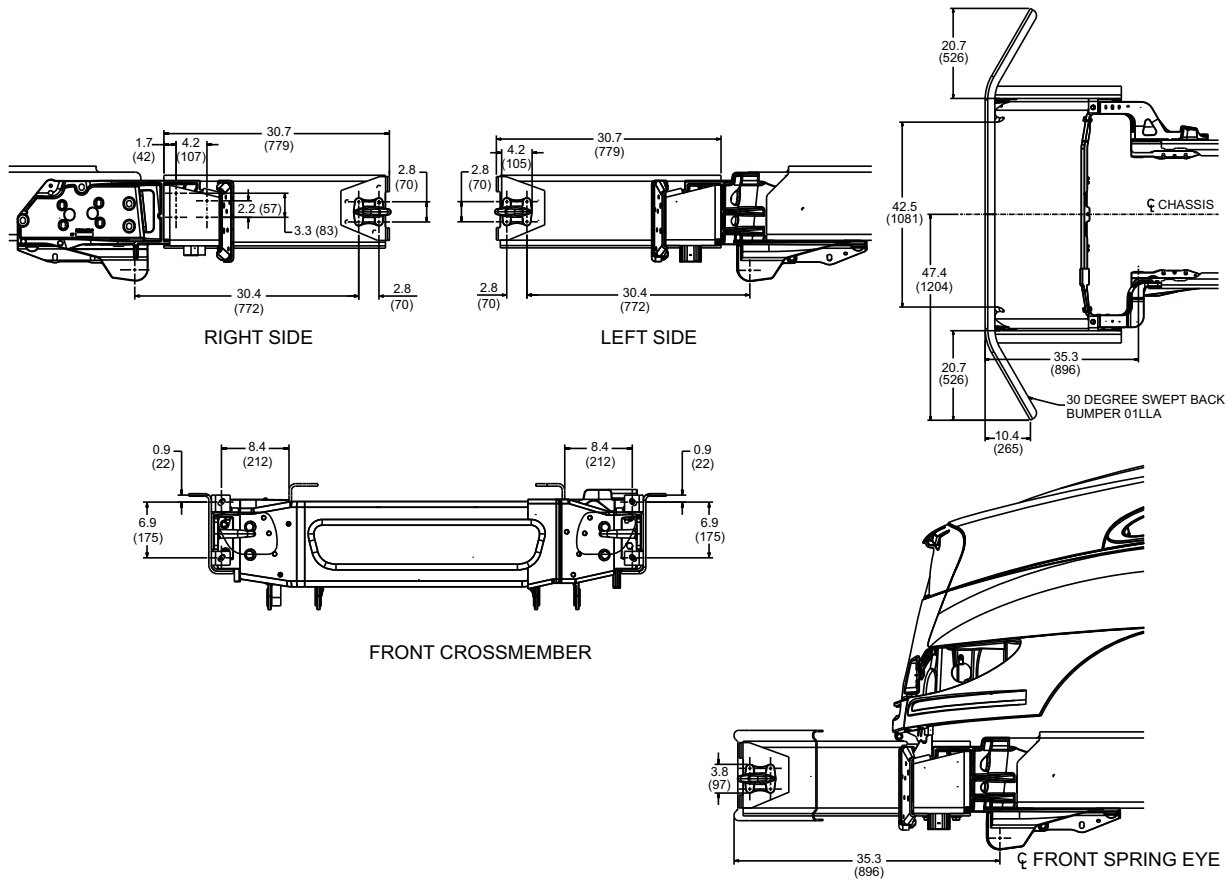
01_0077

FRONT BUMPER, TOW HOOKS AND EXTENSIONS

FRONT BUMPER, TOW HOOKS AND EXTENSIONS

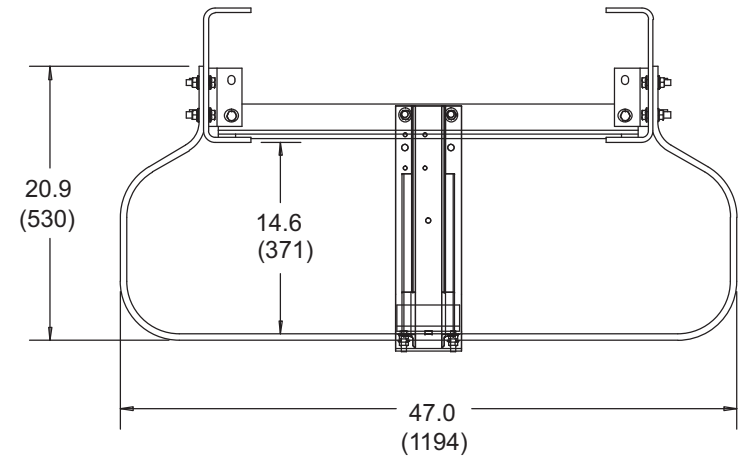
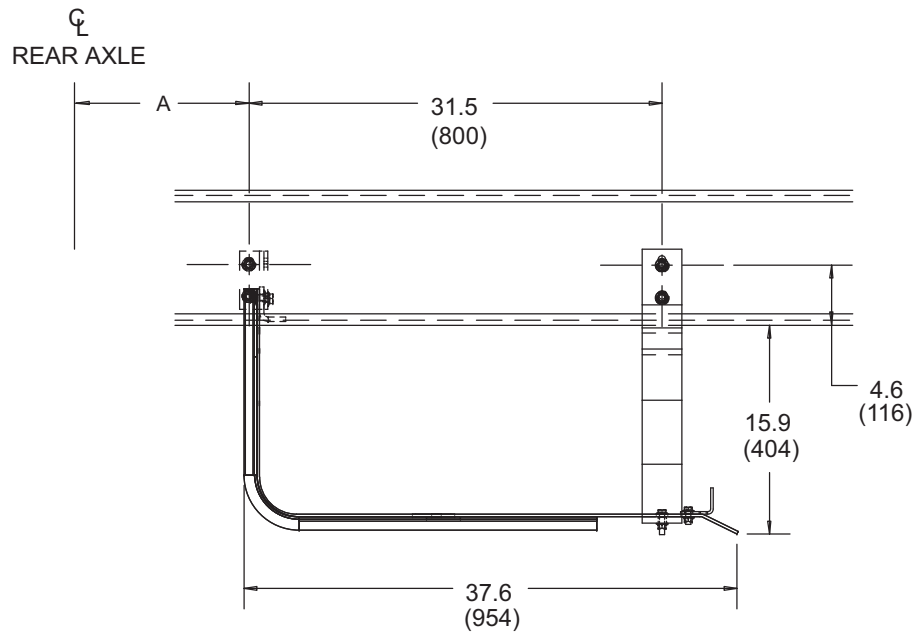
Swept Back Front Bumper (01LLA), Front Tow Hook (01570) and Bolt-On Front Frame Extension (01WDR)

NOTE: Bolt On Type Front Frame Extensions are not suitable for Snow Plow mounting.



TIRE CARRIER

All Models



01_0078

Dimensions From Rear Axle Centerline	
Suspension	A
All 4x2	40.6" (1030)
6x4 52" Air/4-Spring	59.8" (1520)
6x4 55", 60" Air	63.9" (1622)

OVERHANG LIMITS FOR REFUSE/RECYCLER BODIES

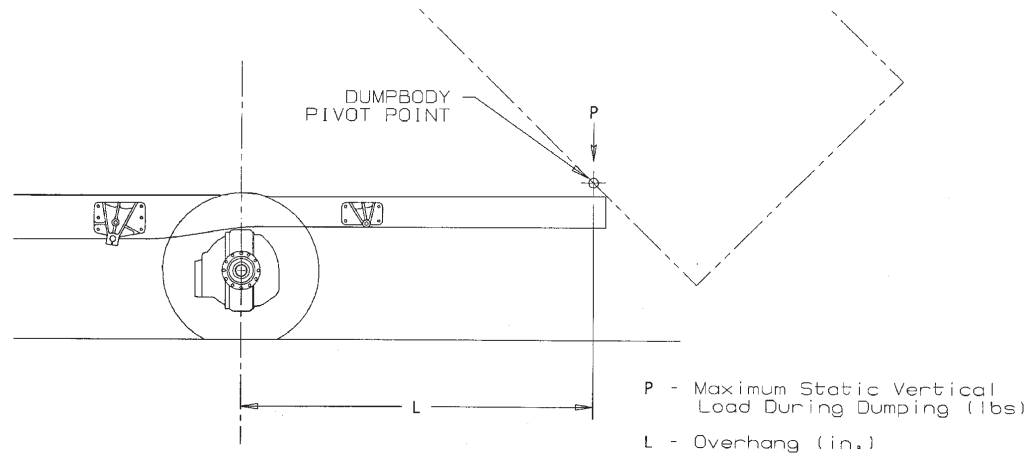
OVERHANG LIMITS FOR REFUSE/RECYCLER BODIES

LP

Dump, and other similar pivoting bodies, impose a great deal of stress on the frame rails in the rear suspension area. The body installer has the responsibility for determining the pivot pin load and for establishing operating guidelines to prevent exceeding this load.

The limits shown in this chart are for equal loading on both sidemembers, i.e. the center of gravity of the raised body is ideally centered and the chassis is on solid, level ground. If the center of gravity is laterally offset due either to uneven loading, uneven ground, or both, the bending moment on one of the rails could increase substantially. For this reason the body installer should derate the overhang limits to account for the lateral shift if either of these factors apply.

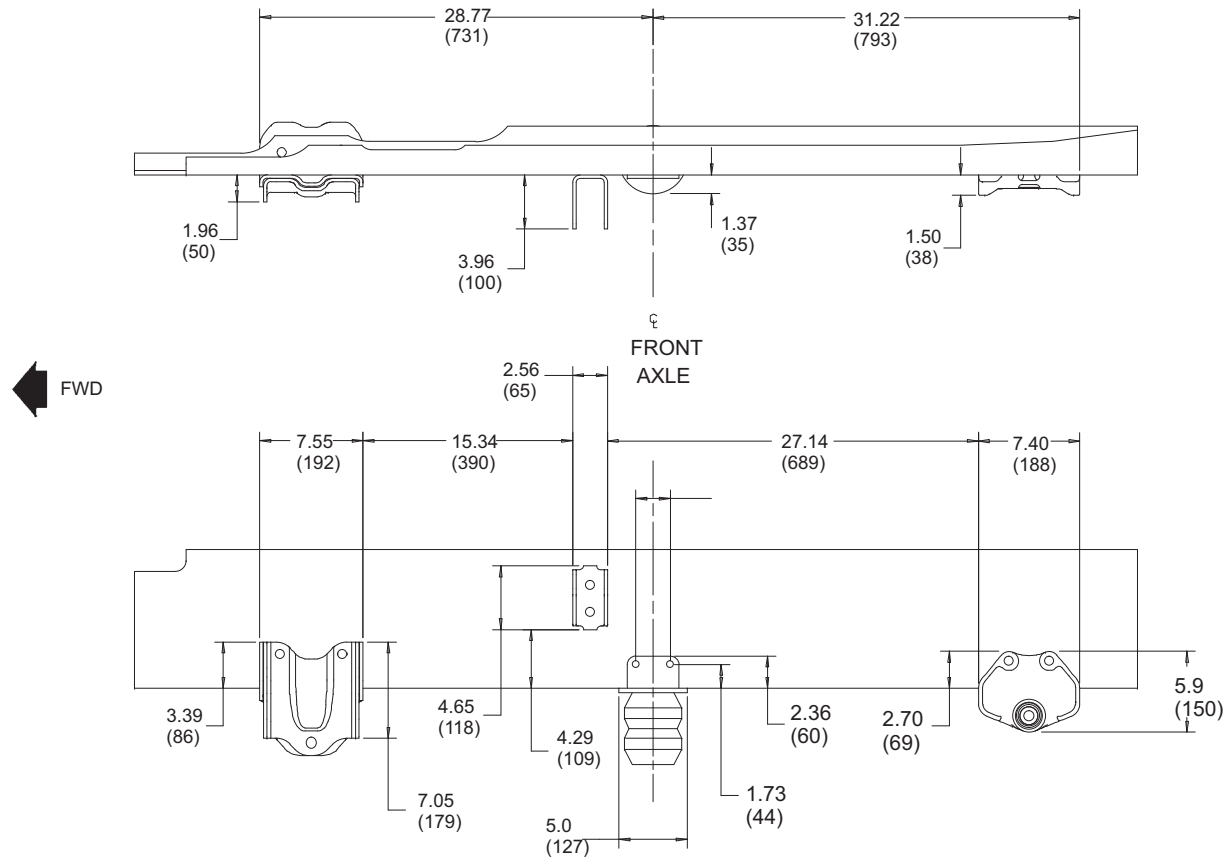
"P" (-lb)	Overhang Limit, "L" (in.)	
	LP - 80,000 PSI	
	Steel Leaf Springs	Air Suspension
6,000	95	90
8,000	82	71
10,000	68	61
12,000	59	53
14,000	52	47



FRONT SUSPENSIONS

FRONT SUSPENSION BRACKETS

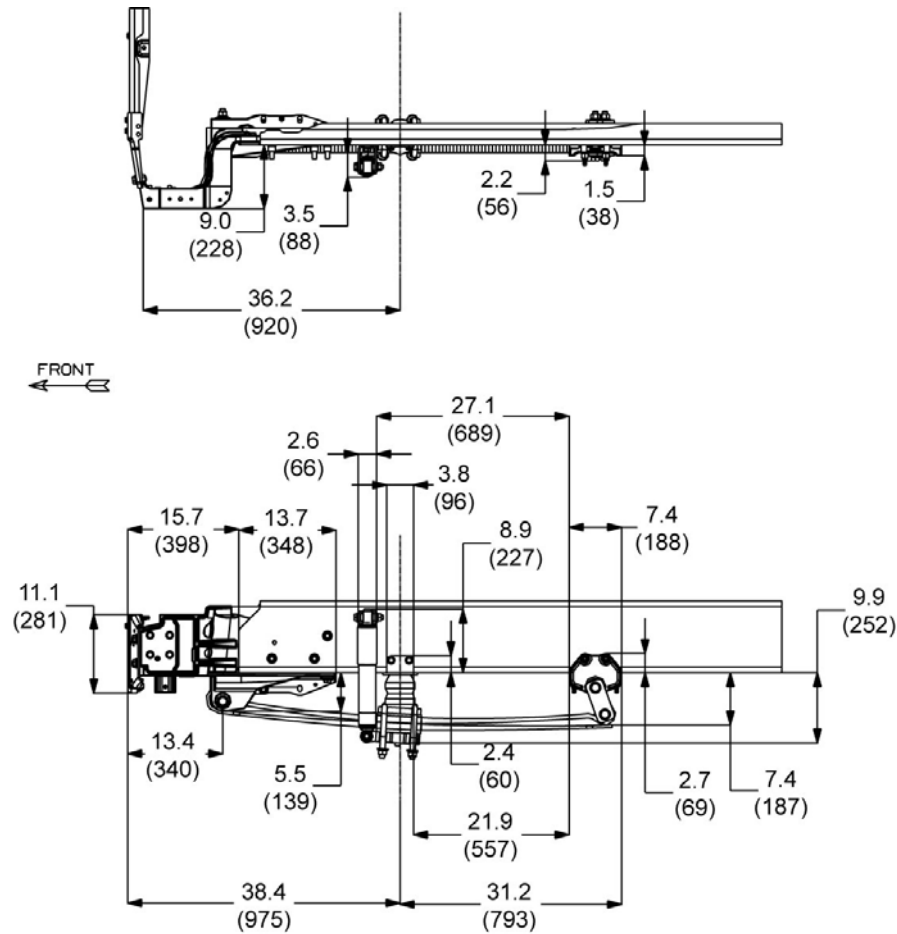
With Cummins B6.7 Engine - Left Side Rails



03_0004

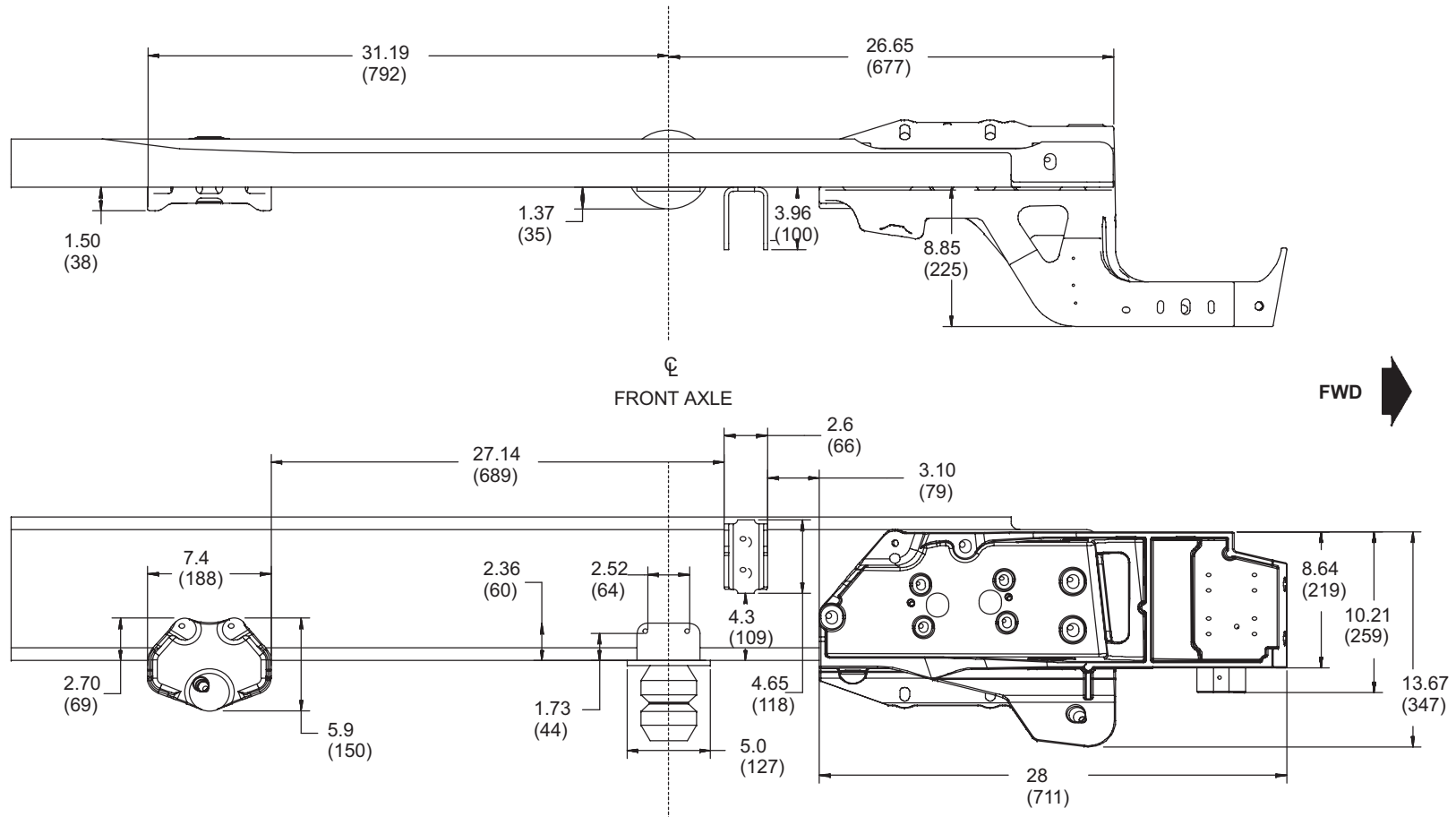
FRONT SUSPENSION BRACKETS

With Cummins L9 Engine - Left Side Rails



FRONT SUSPENSION BRACKETS

With Cummins B6.7 and L9 Engine - Right Side Rails



03_0005



BRAKES

ALL MODELS

Air Brake Modifications

Certification Procedures For DOT FMVSS-121

The Federal Department of Transportation's Motor Vehicle Safety Standard 121 required that virtually all trucks equipped with air brakes and manufactured on or after March 1, 1975 must comply with a comprehensive set of design and performance parameters concerning the air brakes and related systems.

Of the many requirements of FMVSS 121, two are of primary concern between the truck manufacturer and the body and allied equipment manufacturer. The first concern is the center of gravity location on a truck used for compliance testing and the second involves the tubing and air flow design of the brake system.

Cautions - FMVSS-121 Air Brake System Modifications

CAUTION: If wheelbase alterations are made to International vehicles with FMVSS-121 brakes:

- **DO NOT** make alterations to air lines with hose, piping or fittings of sizes other than those currently in use on the truck.
- **DO NOT** allow sharp bends or other constrictions in hosing.
- **DO NOT** exceed the minimum or maximum wheelbase available from the factory for that model after lengthening or shortening the wheelbase. For wheelbases longer or shorter than those available from the factory, International will provide verbal opinion (through contacting your local International dealer). International will be available to provide certification testing and documentation of compliance or non-compliance with FMVSS-121 for the specific situation at an additional cost.

CAUTION: Air reservoirs may be relocated providing these guidelines are followed:

- **DO NOT** make alterations to air lines with hose, piping or fittings of sizes other than those currently in use on the truck.
- **DO NOT** allow sharp bends or other constrictions in hosing.
- **DO NOT** alter brake line to port location.

CAUTION: Air-operated auxiliary attachments may be added to International FMVSS-121 vehicles if you:

- **DO NOT** use air tap locations other than those shown on these drawings for these models.
- **PRESSURE PROTECTION VALVES ARE REQUIRED WHERE SHOWN AND SHOULD BE MOUNTED WITH THE VENT PORT DOWNWARD. ALL NEW PARTS ARE AVAILABLE FROM INTERNATIONAL TRUCK DEALERS.** Since the FMVSS-121 has very specific criteria for the time allowed for air to reach and release the brakes, it is obvious that the tubing design is very critical and that the allowable sources for air tap must necessarily be restricted. Consult FMVSS-121 for criteria for time allowed for apply and release of brakes.

ALL MODELS

Brake Restrictions

Safety Measures

Should it be necessary to modify the braking system, for example in connection with a wheelbase alteration, the following must always be observed:

- Make sure that the brake circuits are not altered. Before any part of the braking system is dismantled, mark the brake pipes and connections concerned, or make a sketch showing the original routing.
- Avoid joints, preferably change the entire brake pipe.
- Preferably, use bent brake pipes instead of elbow unions so as not to affect the brake application/release times.
- Install the brake pipes in positions where they are protected against damage and heat.
- Install the air tanks so that the drain valves still function well and are easy to reach.

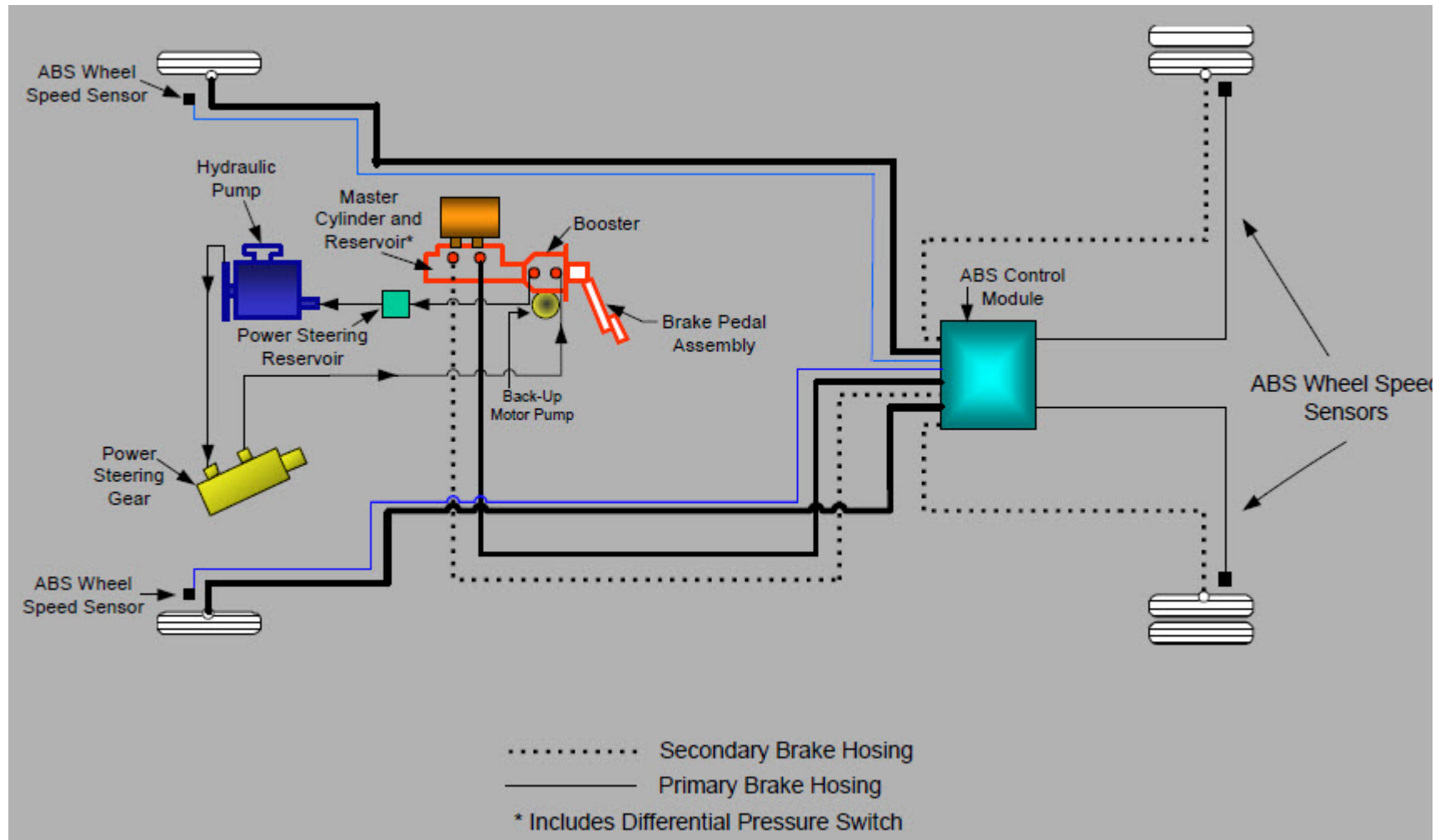
CAUTION: When a brake pipe is replaced or jointed, use only genuine International parts of the correct type.

NOTE: On trucks with ABS brakes, the sensor cable must not be jointed. If necessary, it must be completely replaced.

ANTILOCK HYDRAULIC BRAKE SYSTEM SCHEMATIC

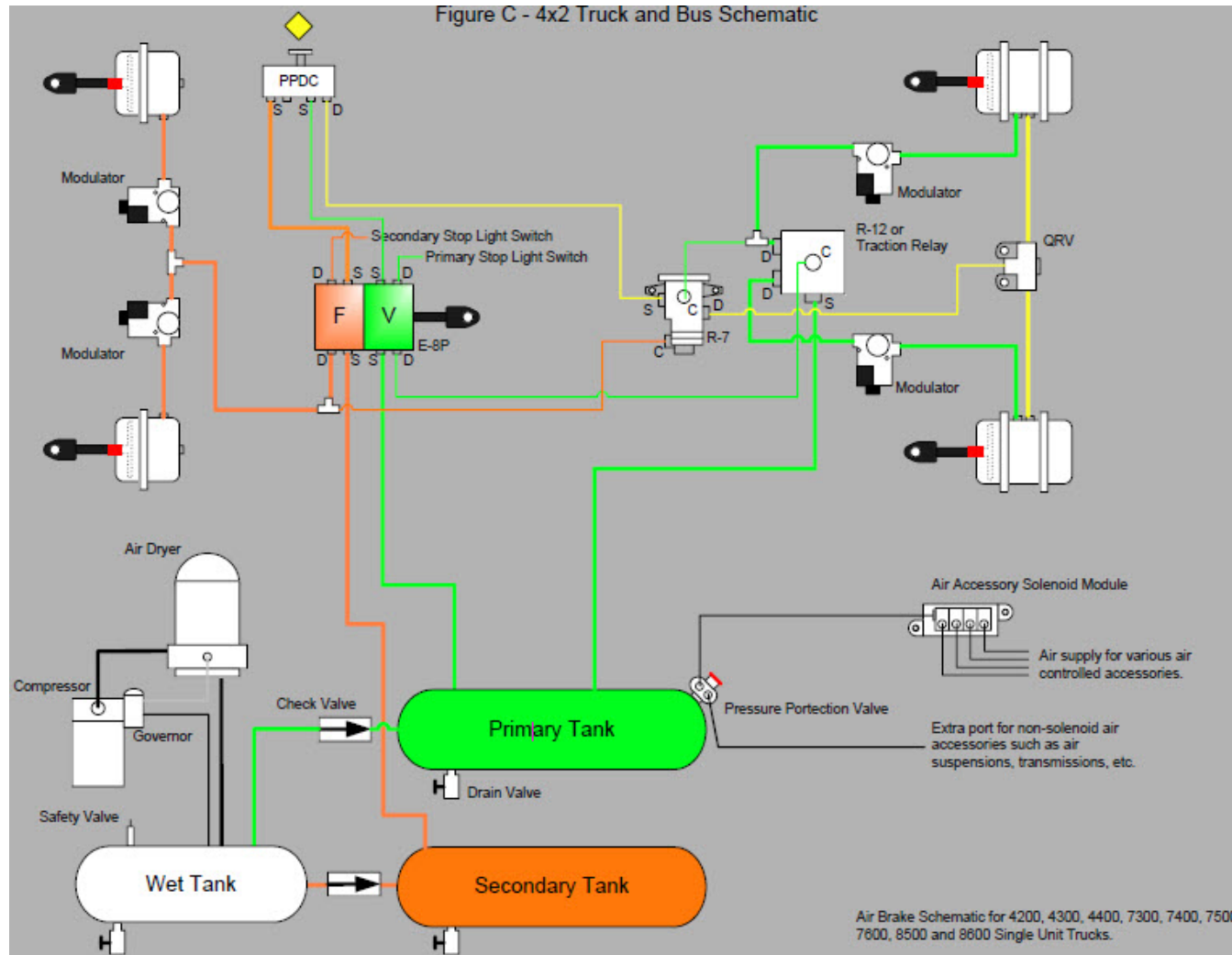
ANTILOCK HYDRAULIC BRAKE SYSTEM SCHEMATIC

with Truck Hydraulic Split Brake System 04100



ANTILOCK AIR BRAKE SYSTEM SCHEMATIC

with Truck Dual Air Brake System Code 04091

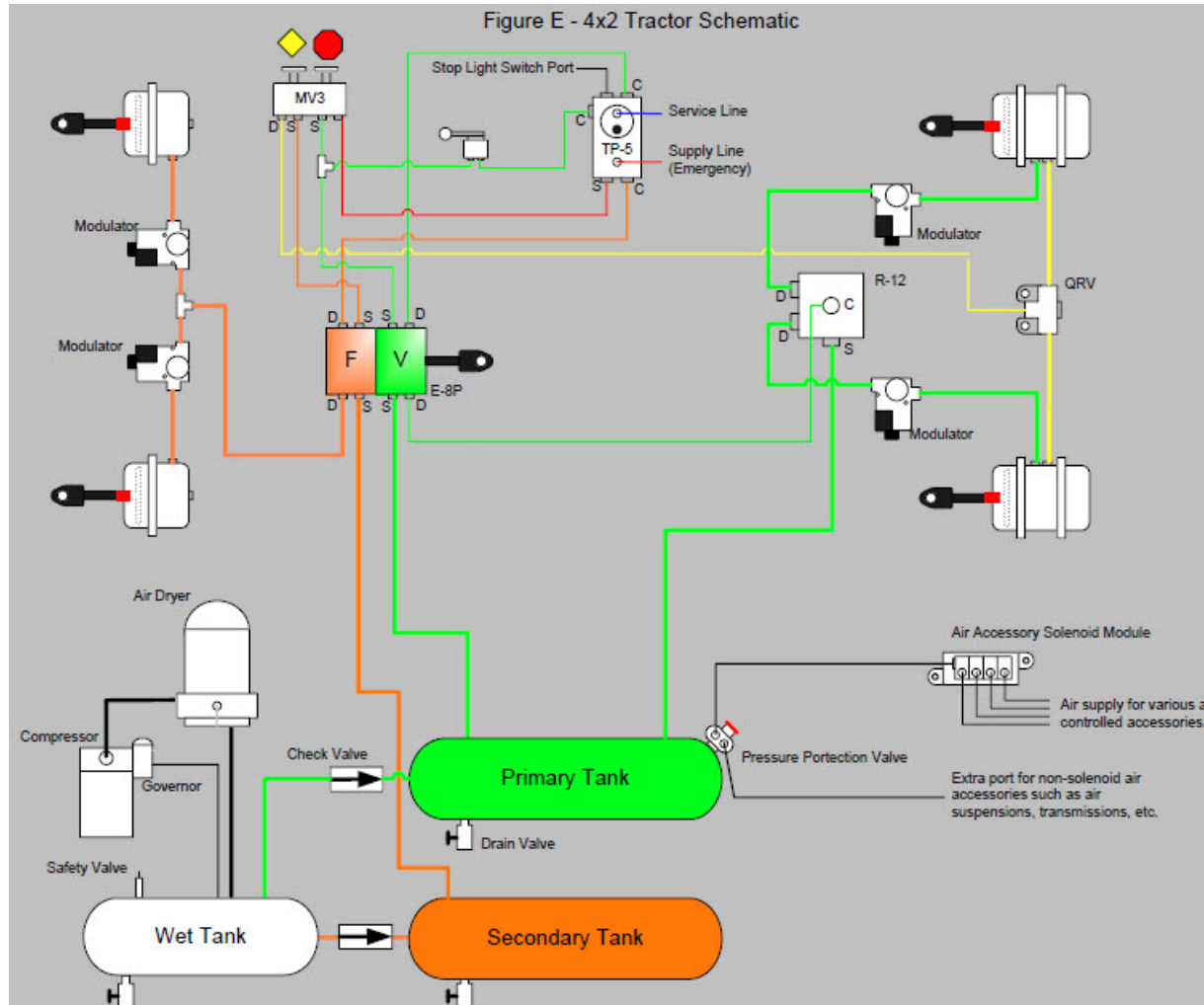


04_0103a

ANTILOCK AIR BRAKE SYSTEM SCHEMATIC

ANTILOCK AIR BRAKE SYSTEM SCHEMATIC

with Tractor Dual Air Brake System Code 04092



ROUTING GUIDELINES

All Models

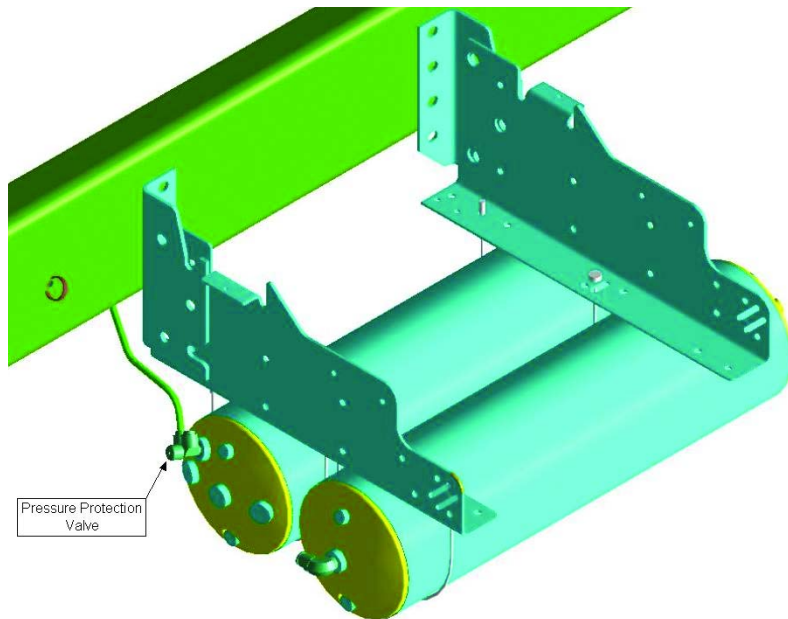
If modifications are made to International vehicles with the addition or re-routing of tubing the following guidelines found in the Federal Motor Carrier Safety Regulations Pocketbook, section 393.45, should be followed:

- Be designed and constructed in a manner that insures proper, adequate, and continued functioning of the tubing or hose.
- Be installed in a manner that insures proper continued functioning of the tubing or hose.
- Be long and flexible enough to accommodate without damage all normal motions of the part to which it is attached.
- Be suitably secured against chafing, kinking, or other mechanical damage.
- Be installed in a manner that prevents it from contacting the vehicle's exhaust system or any other source of high temperatures.

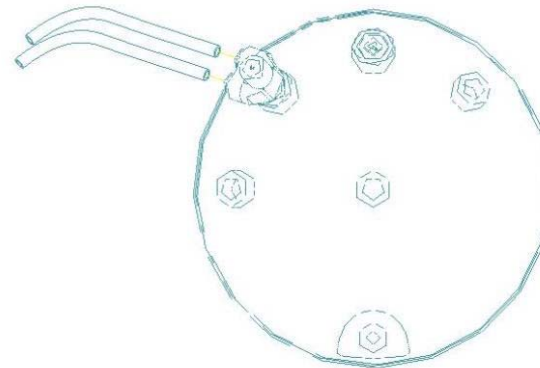
AIR-OPERATED AUXILIARY ATTACHMENTS

*AIR-OPERATED AUXILIARY ATTACHMENTS**ALL MODELS*

- The primary air reservoir has a dedicated port for a two-port pressure protection valve (PPV). If no air-operated features are ordered on the vehicle, then this port is plugged from the factory. A PPV can be ordered from an International dealer if a PPV is needed.
- The PPV will come installed from the factory if an air suspension or other air-operated device is ordered (i.e., fifth wheel slide, air suspension dump, etc.). Depending on vehicle ordered features; one port may be open. If this is the case, then unplug that port and use the port.
- If all of the ports on the PPV are utilized, then a Quality Connect tee should be installed into the one of the used ports. The recommended tee - 3/8-inch x 3/8-inch x 3/8-inch stem (International part number 2024458C1) – can be ordered from an International dealer.



04_0005

View displaying Pressure protection valve in end
of Primary air tank with two supply tubes.

04_0006

TUBE FITTING INSTALLATION INSTRUCTIONS

All Models

The majority of tube fitting connections in the air braked chassis utilize a Quality Connect fitting (fitting integral to an air brake component or plastic fitting) or an PTC fitting (fitting threaded into an air brake component). Both of these fitting types are comprised of a collet which bites into the tube to hold it firmly in place and a fitting O-ring which seals the tube to the valve, manifold or tee body to prevent leakage. To aid in service, a kit is available with tools for each port and tube size used by International.

To assure standardization of tubing used on International vehicles, the following table illustrates tubing color, abbreviations and where that color is used.

Color	Abbreviation	Where Used
Black	BK	MV-3, PPDC Exhaust Air Seat Air Horn Air Dryer to Wet Tank Wet tank to Governor
Blue	BL	Trailer Service, 1st Pusher Delivery
Brown	BN	Air Suspension system, 2nd Pusher Delivery
Green	GN	Primary Brake system
Orange	OR	Secondary Brake system
Purple	PL	1st Tag Delivery
Red	RD	Trailer emergency
Silver	SIL	PDL control, 2nd Pusher Supply Governor to Dryer
Tan	TN	Locking differential, 1st Pusher Supply Traction differential Two-speed axle
White	WH	Solenoid Pack Supply Load Sensing Gauge, 1st Tag Supply
Yellow	YL	Spring Brake System, Cab Air Suspension

REMOVAL AND INSERTION PROCEDURES FOR TUBING IN QC OR PTC FITTINGS

*REMOVAL AND INSERTION PROCEDURES FOR TUBING IN QC OR PTC FITTINGS**All Models*

CAUTION: Do not attempt to disassemble tubing from fittings with air pressure in the system. Failure to drain system of air pressure before removing components may cause personal injury or death.

Removal of Tube from Fitting

- Use the tube release tool (see graphic 1 below) to remove the tube.
- Push down on the release tool, then pull on the tube. Pushing the tool depresses the fitting collet, allowing it to release the tube. Sometimes the brass tube support will be pulled out of the fitting when the tube is removed. Be sure to reinstall a tube support when installing the tube.

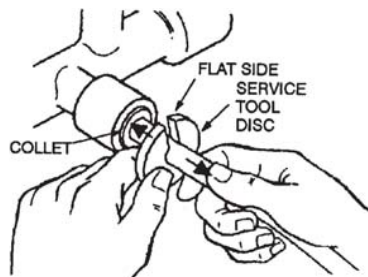
Preparation of Tube for Installation

- Inspect the tube end for external scratches, burrs, or cracks. If it is damaged, trim the damaged portion off at an insertion depth mark (see graphic 2 below) or replace the tube. **DO NOT** reuse a damaged end.

IMPORTANT: Use the tube cutter (supplied in the tool kit) to ensure that the cut is square within 15° to help prevent leakage. Do not use a dull or heavy cutting tool such as side cutters, pocket knife or hack saw which could collapse (flatten) the tube or create O-ring damaging burrs. Do not use the tube cutter to cut anything other than nylon air line tubing. Replace the blade or cutter if the cutting edge becomes dull.

Installing Tube Into The Fitting

- Lubricate the tube end and install it to the correct insertion depth (see graphic 3 below). Install the tube by pushing it straight into the fitting. The insertion depth mark should be flush with the face of the fitting (see graphic 3 below). Gently tug on the tube to make sure it is secured in the fitting.
- Test to make sure the assembly is free from leaks using a soap solution and clean, dry air at system pressure. When performing a bubble test, leakage should not exceed a soap bubble of 1/2-inch (12 mm) in 3 seconds with system air pressure of 100 to 130 psi. If a leak exceeding the above specification is still present, remove and replace the valve, manifold or tee.



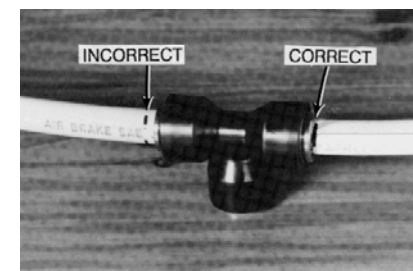
1- Remove Tube

04_007



2 - Prepare for Installation

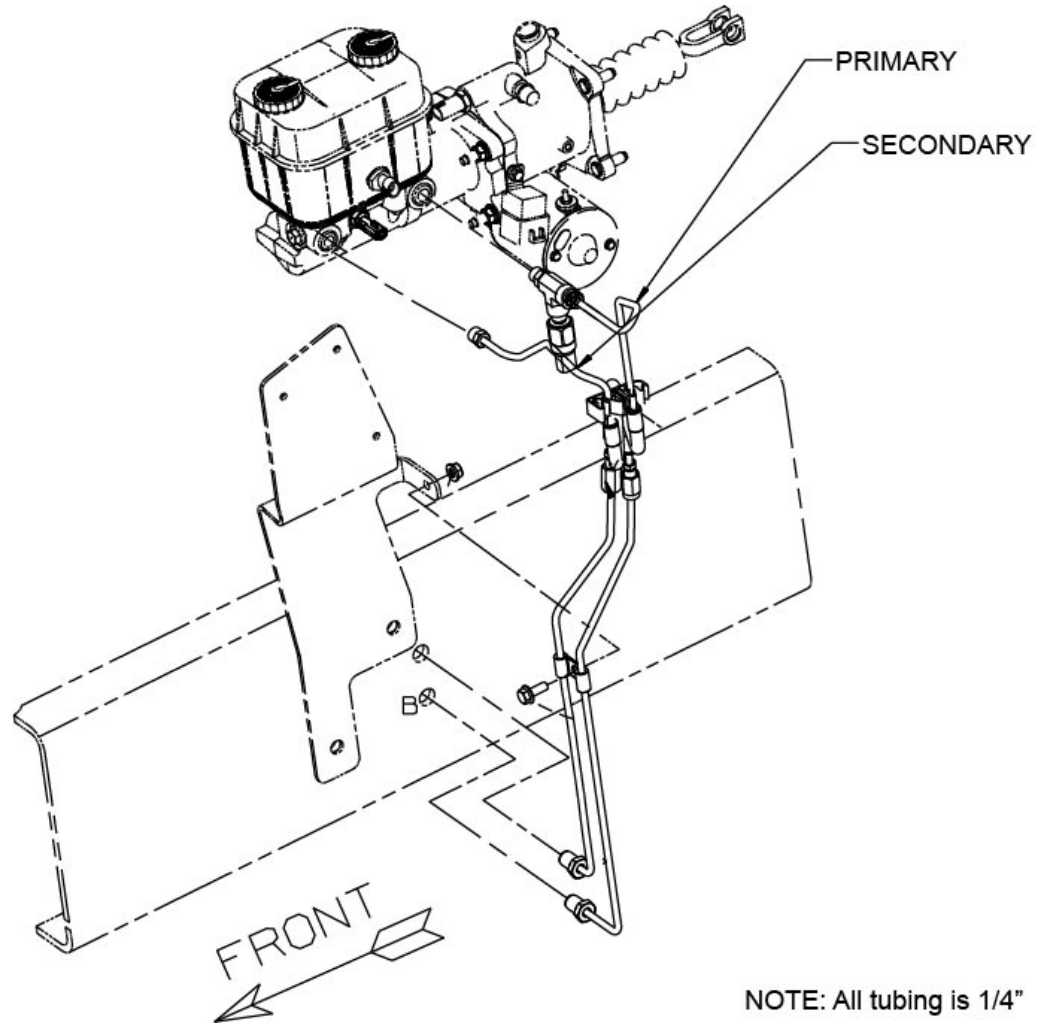
04_008



3 - Install Tube into the Fitting

04_009

HYDRAULIC BRAKE MASTER CYLINDER TUBING

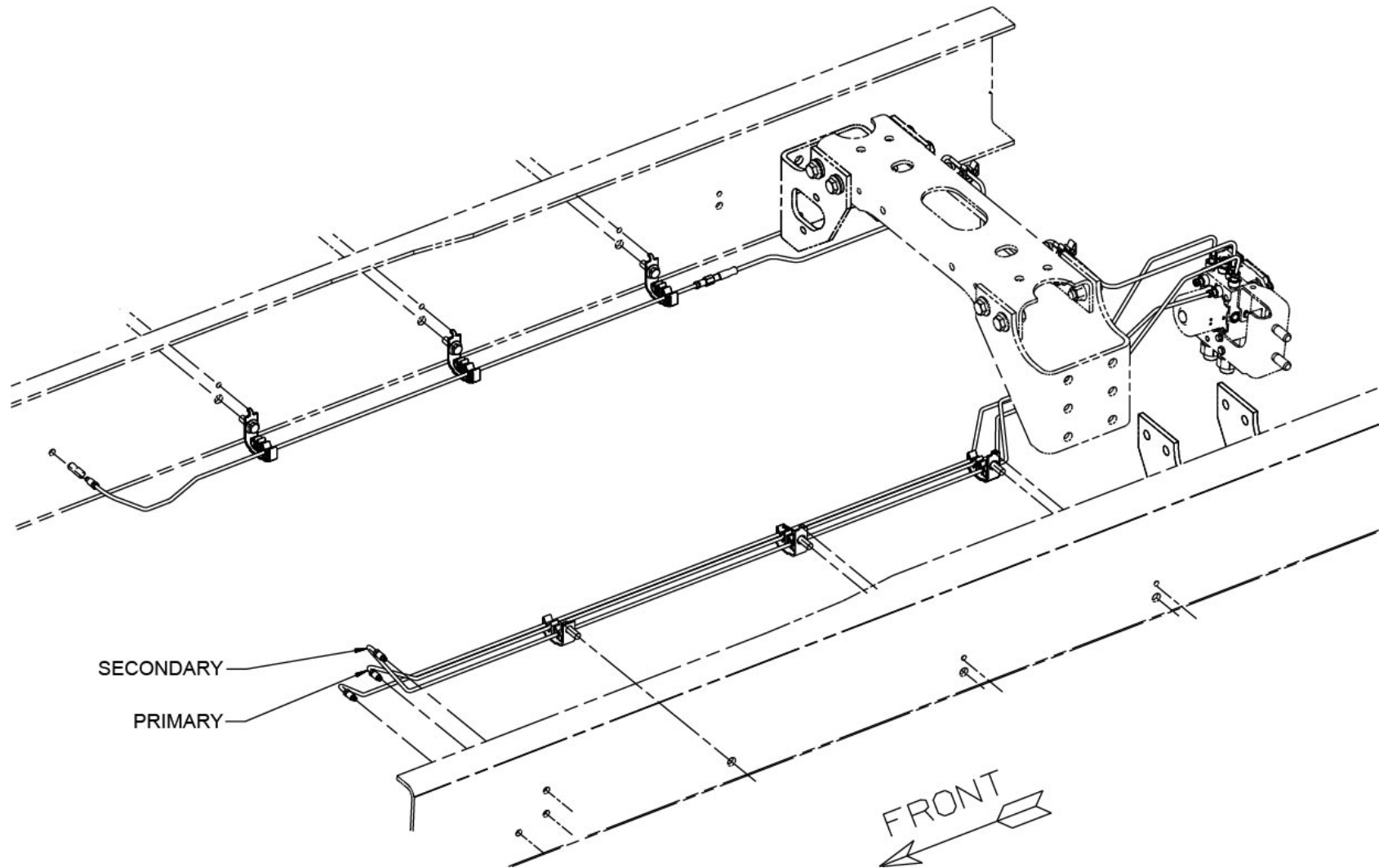


NOTE: All tubing is 1/4"

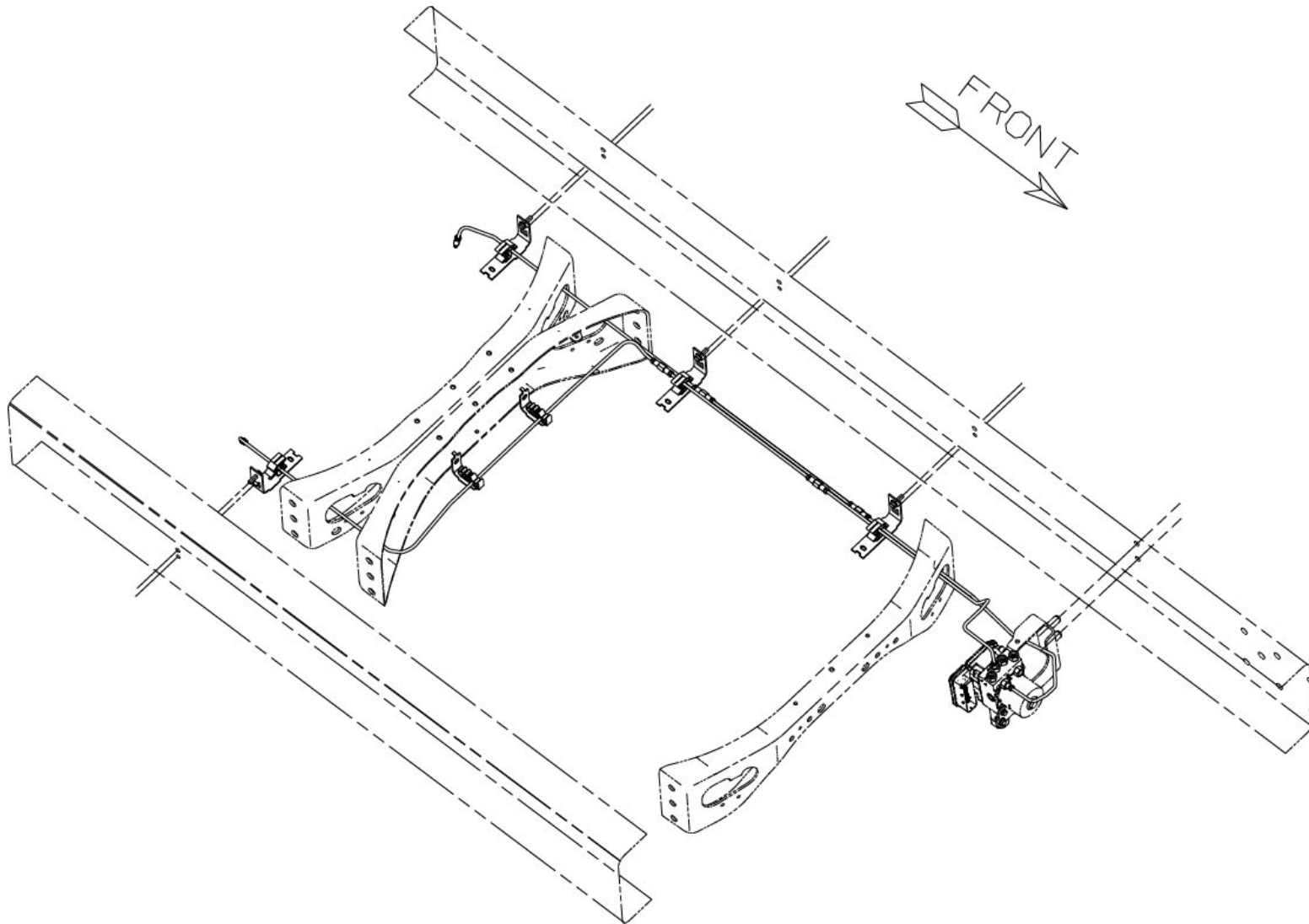
04_0630

HYDRAULIC BRAKE MASTER CYLINDER TUBING

HYDRAULIC BRAKE FRONT SECTION TUBING

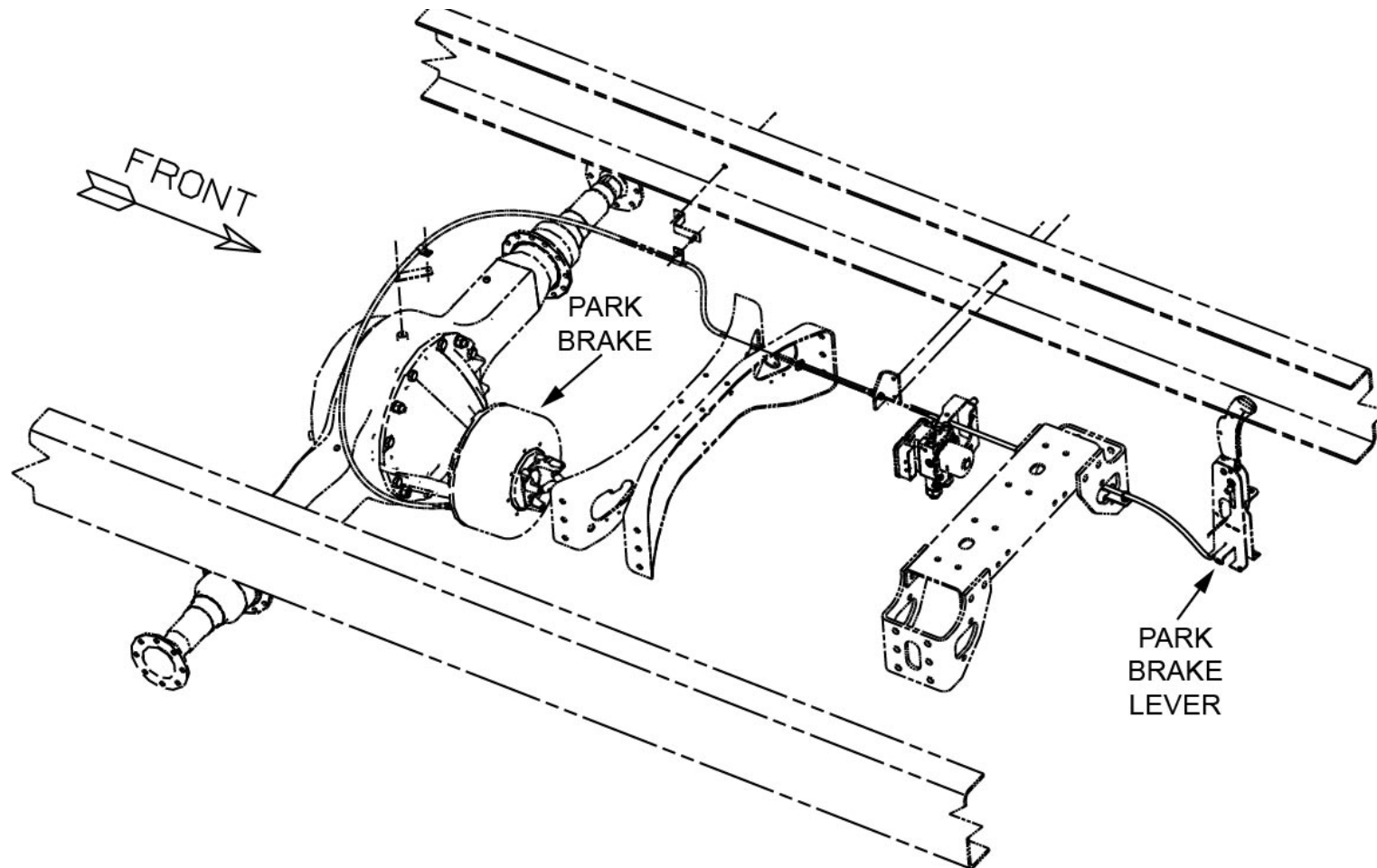


HYDRAULIC BRAKE REAR SECTION TUBING



04_0632

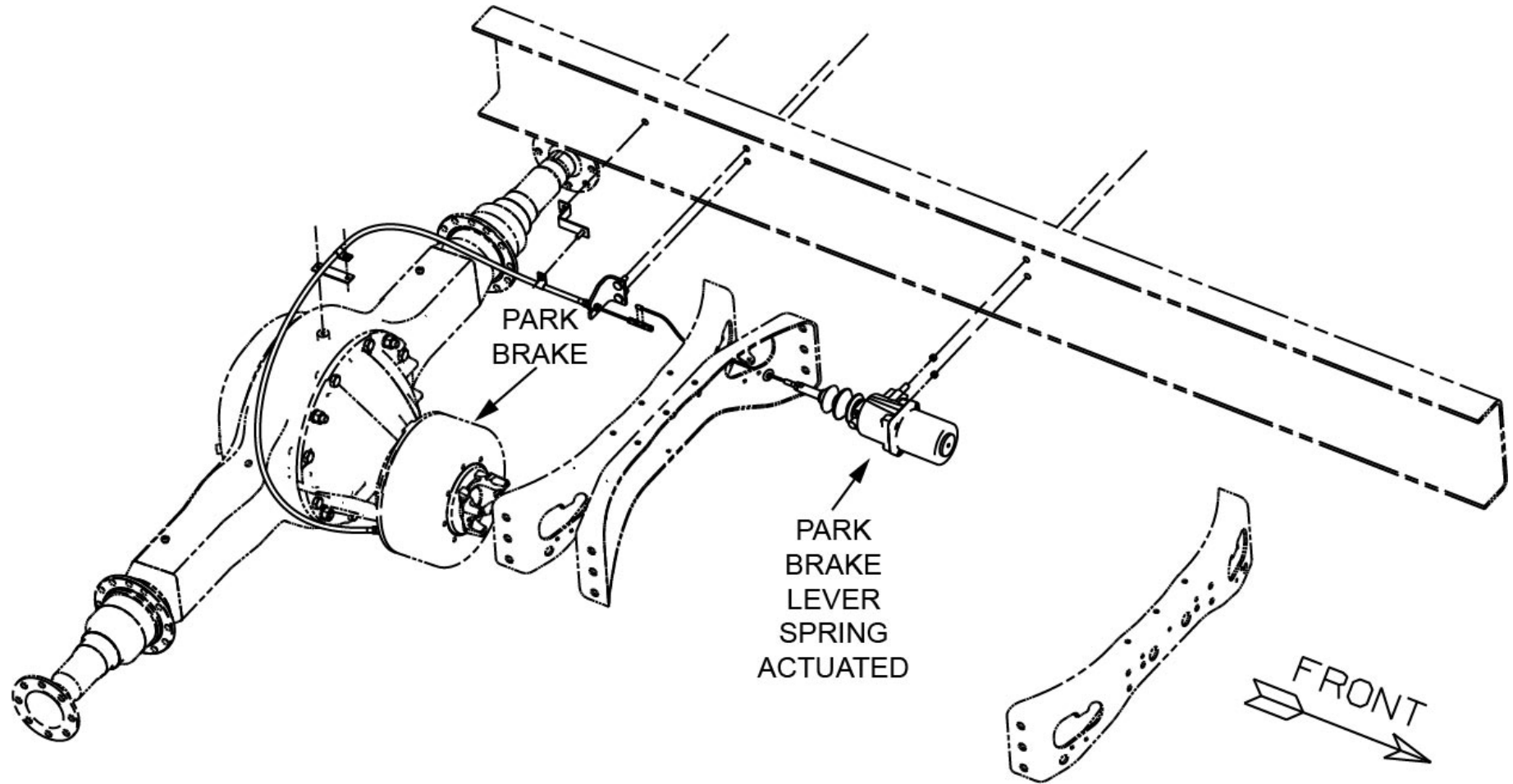
PARKING BRAKE, DRIVELINE MOUNTED (STANDARD)

PARKING BRAKE, DRIVELINE MOUNTED (STANDARD)

04_0633

With hydraulic brakes, the park brake assembly is attached to the rear axle. It is mechanically actuated through the use of a three-section cable. Due to the construction of the cables, it is not possible to alter the length

PARKING BRAKE, SPRING ACTUATED (OPTIONAL)



04_0643

AIR ABS ECU (ELECTRICAL CONTROL UNIT)

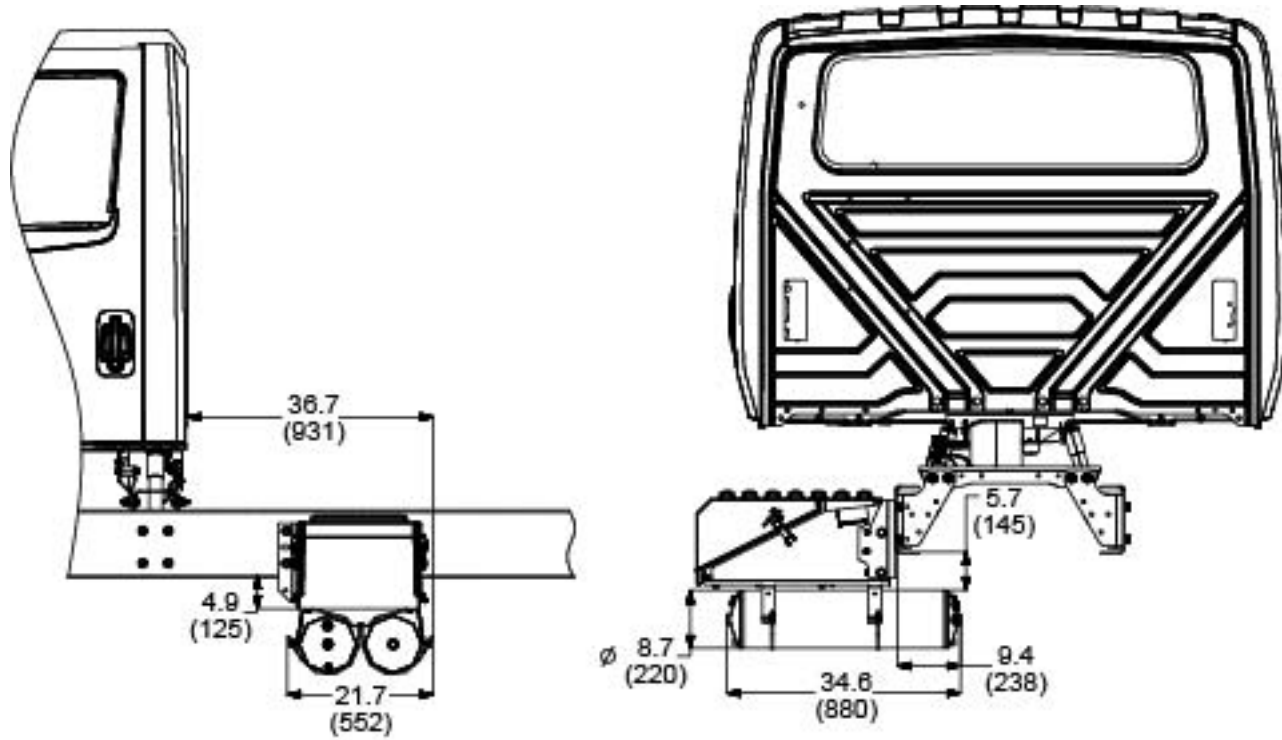
All Models

PENDING

AIR TANK LOCATION

All Models

8 Inch Air Tank Location (04VJE)

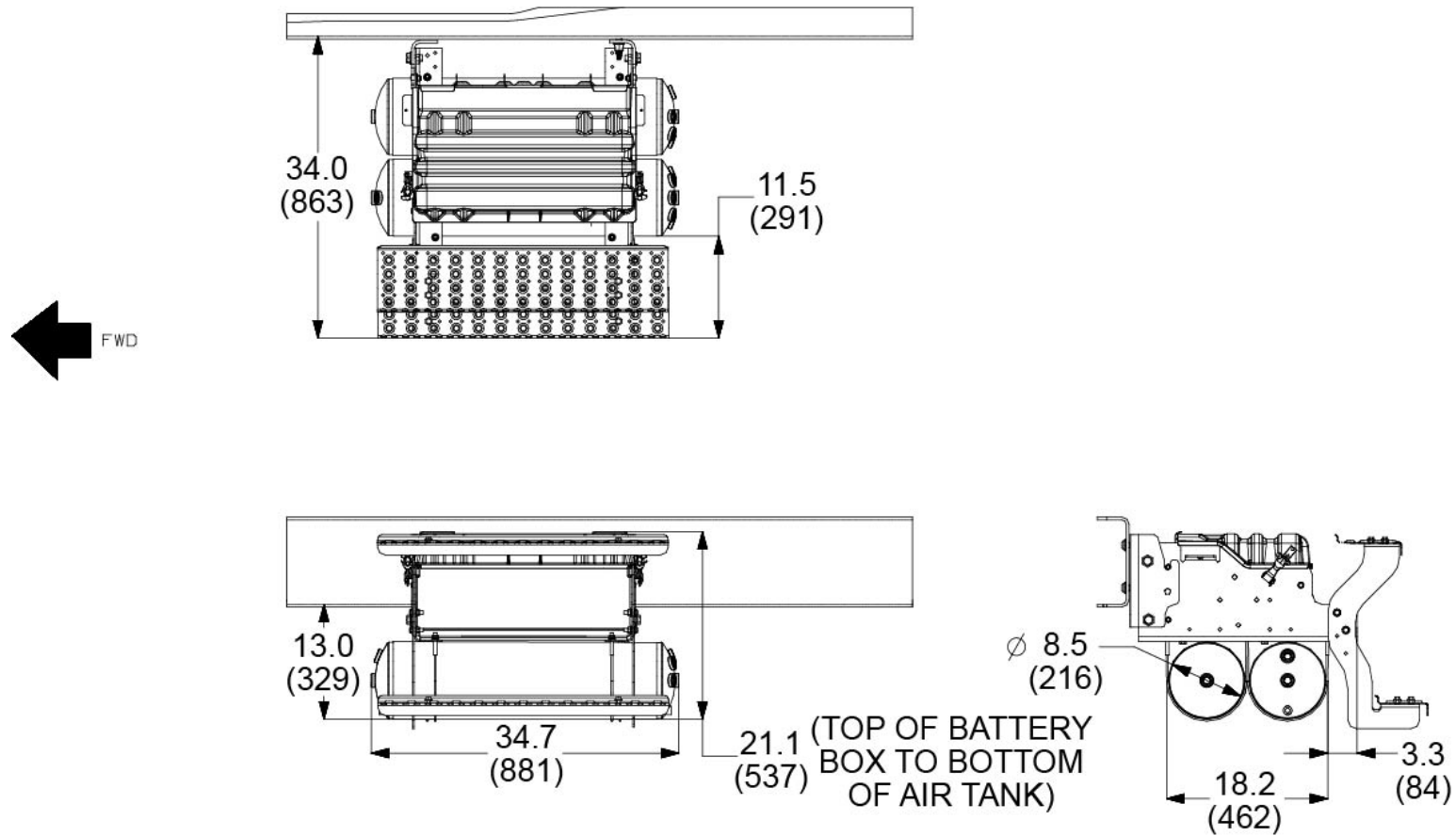


MV_8in_air_tank

AIR TANK LOCATION

All Models

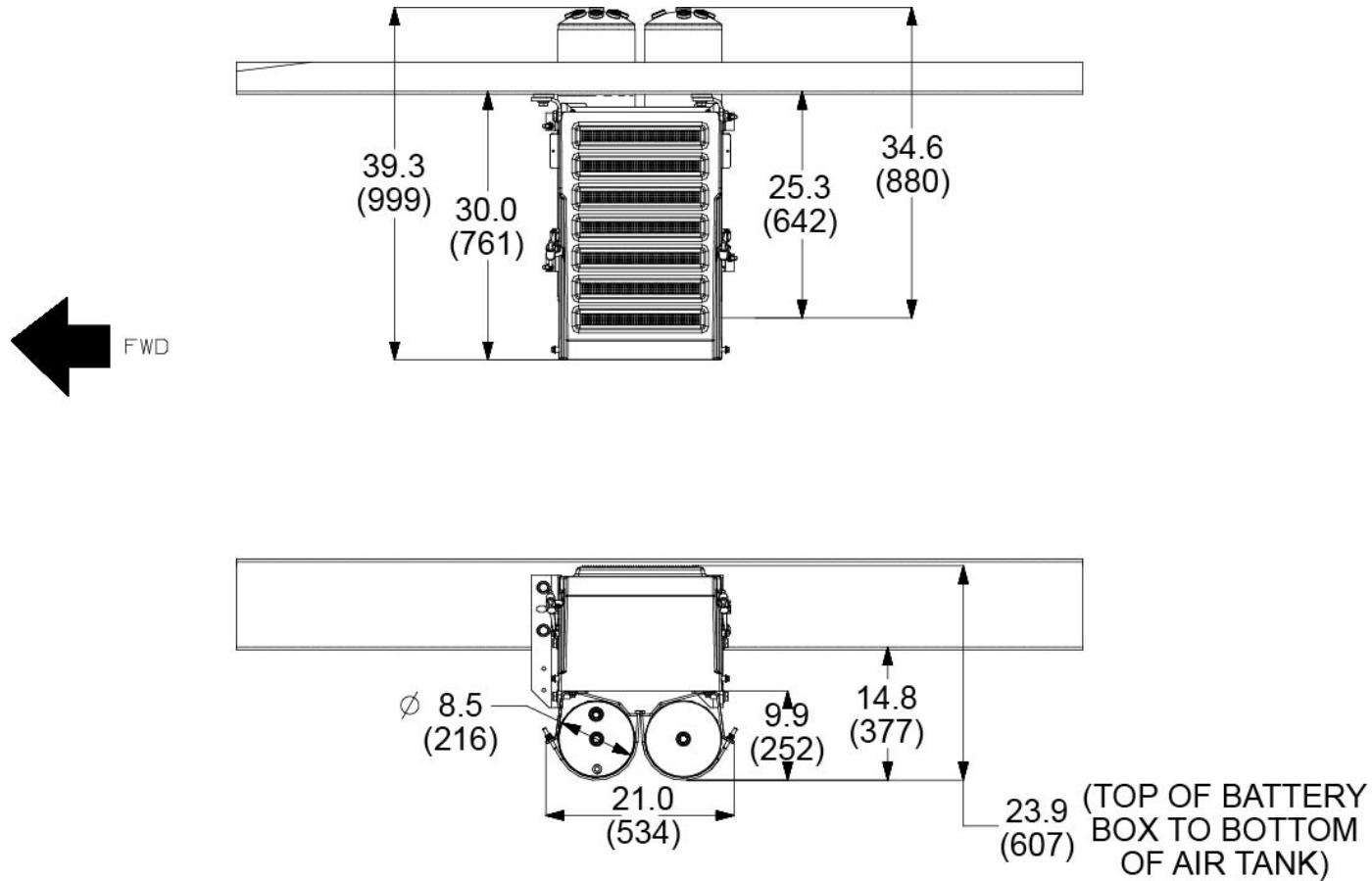
8.5 Inch Air Tank Location (04VKG)



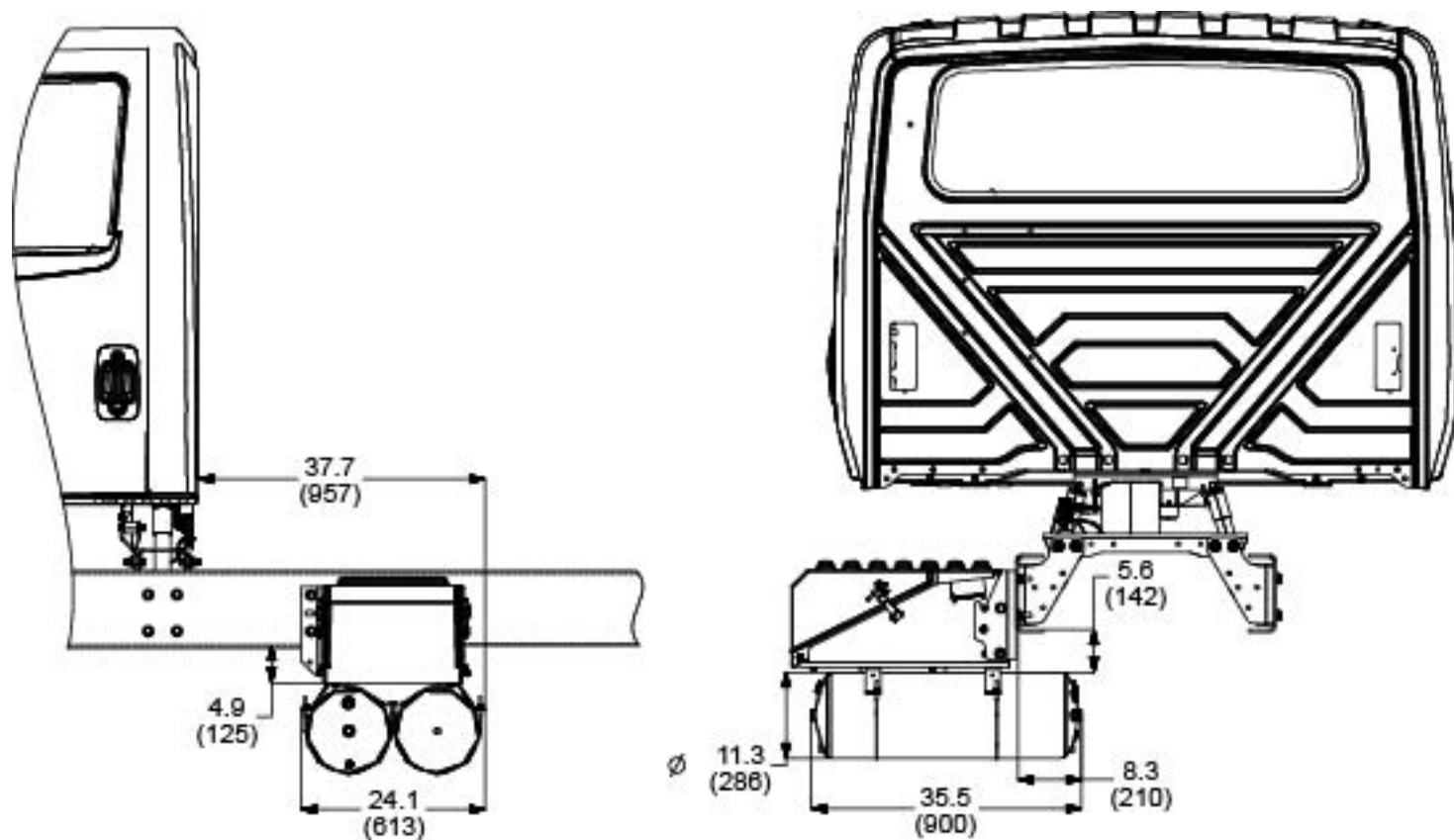
AIR TANK LOCATION

All Models

8.5 Inch Air Tank Location (04VKJ)



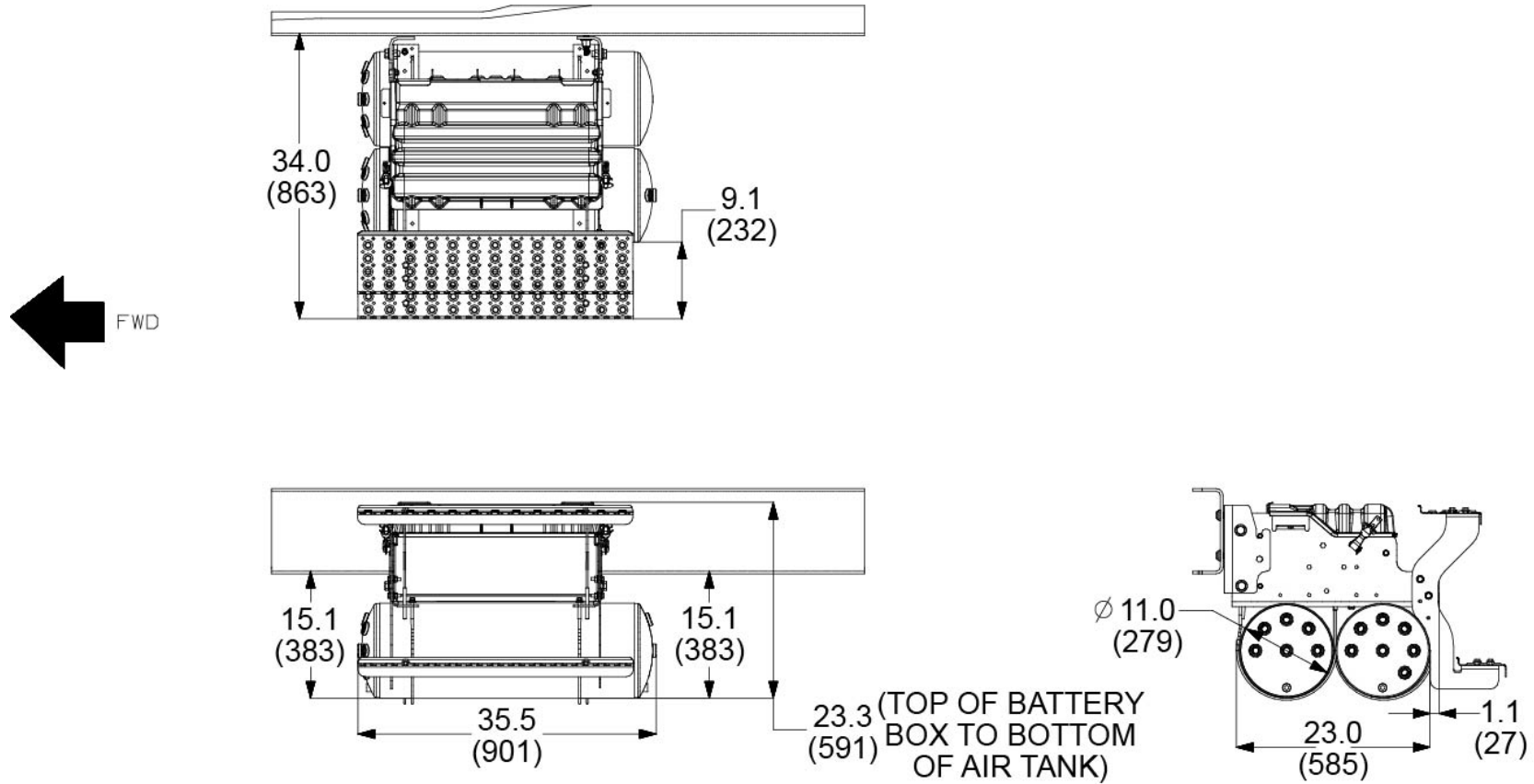
mv_04vkj_8.5_in_w_air_tank

*AIR TANK LOCATION**All Models**11 Inch Air Tank Location (04VJE)*

AIR TANK LOCATION

All Models

11 Inch Air Tank Location (04VKG)

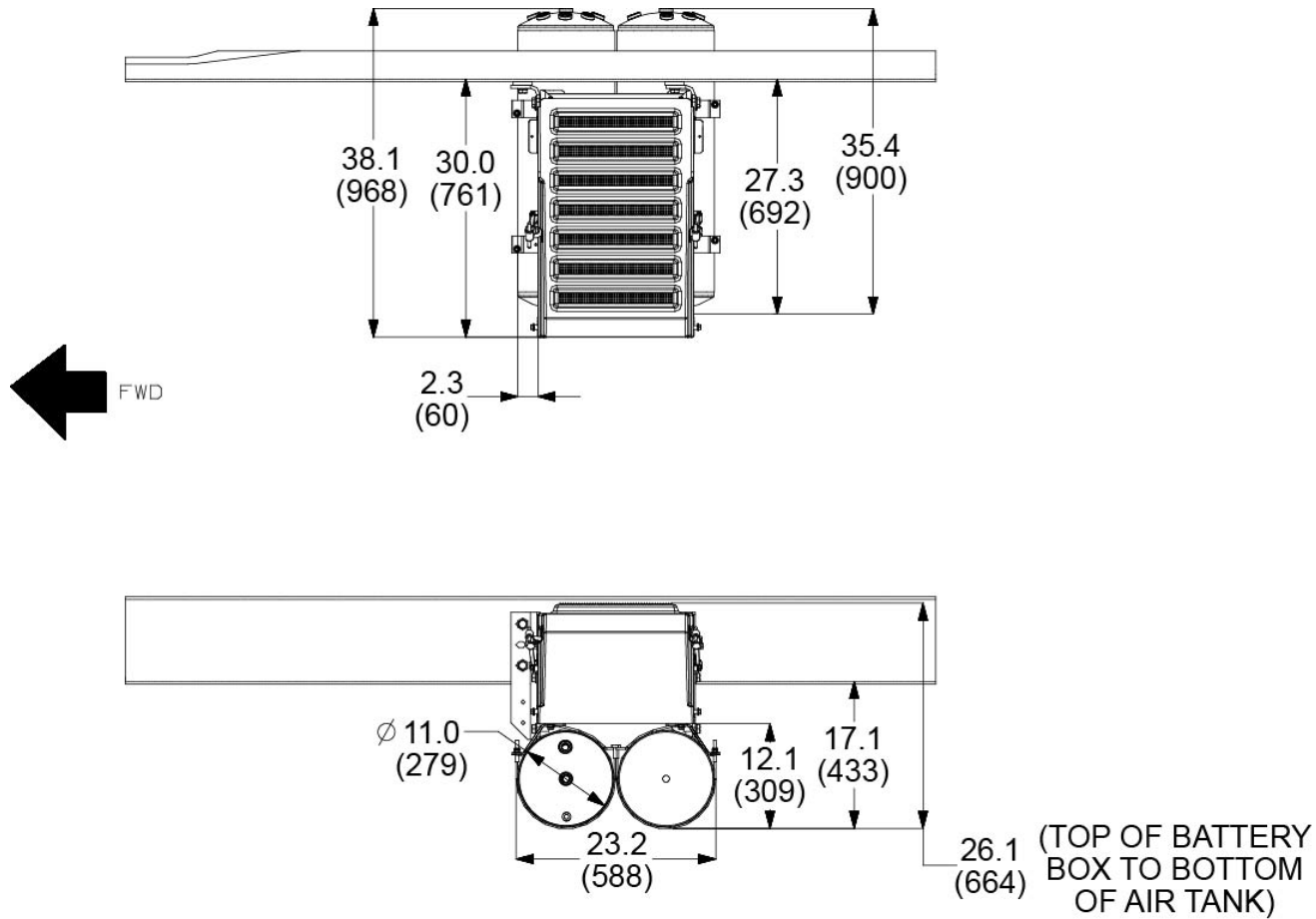


mv_04vkg_11_in_w_air_tank

AIR TANK LOCATION

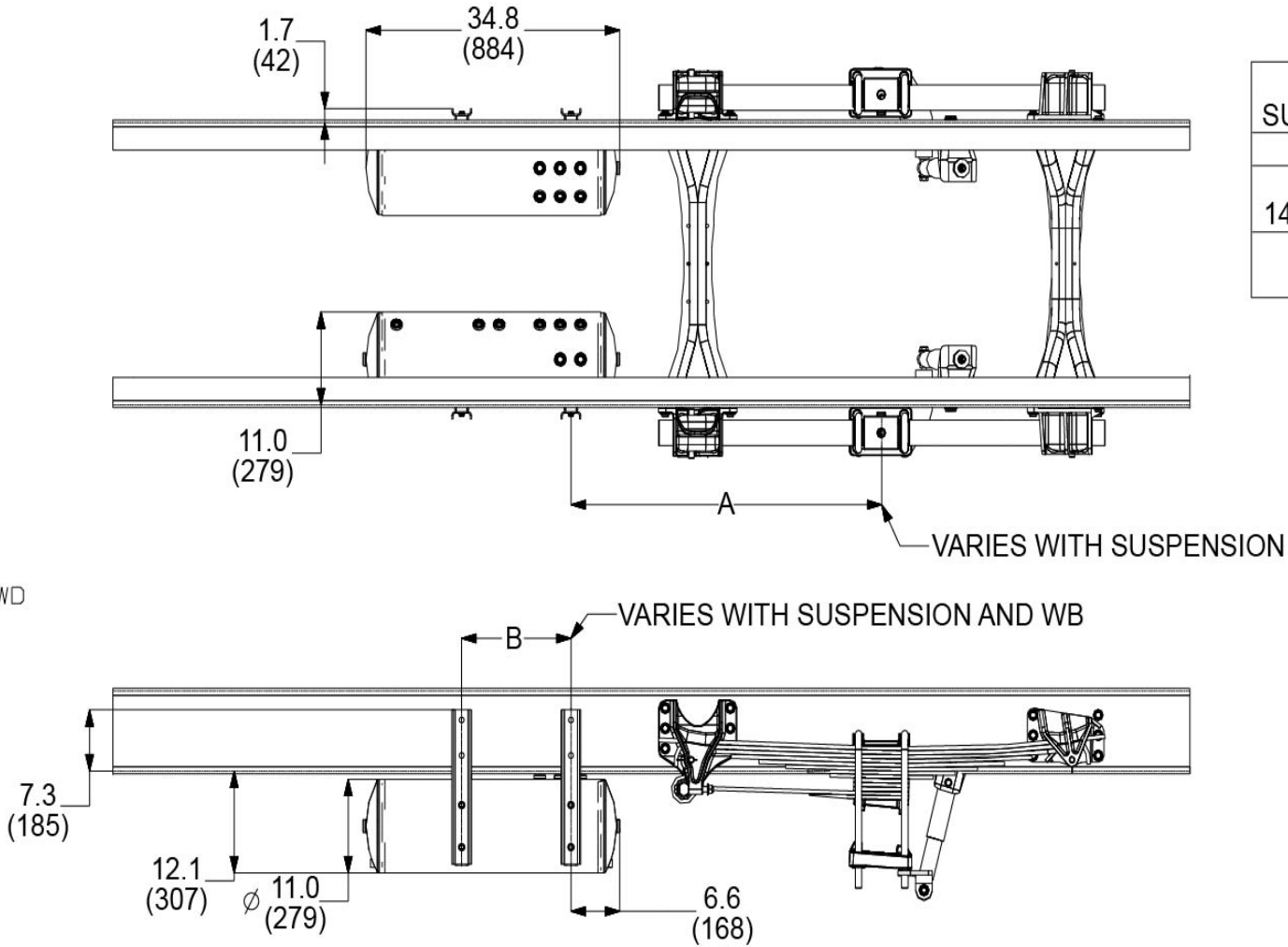
All Models

11 Inch Air Tank Location (04VKJ)



AIR TANK LOCATION

Air Tank Location 04WZJ Mounted Front of Rear Suspension



REAR SUSPENSIONS	DIM A INCH / MM
4x2	39.4 (1000)
6x4 14UNA, 14UNU	64.4 (1636)
6x4 14UNT	66.7 (1694)

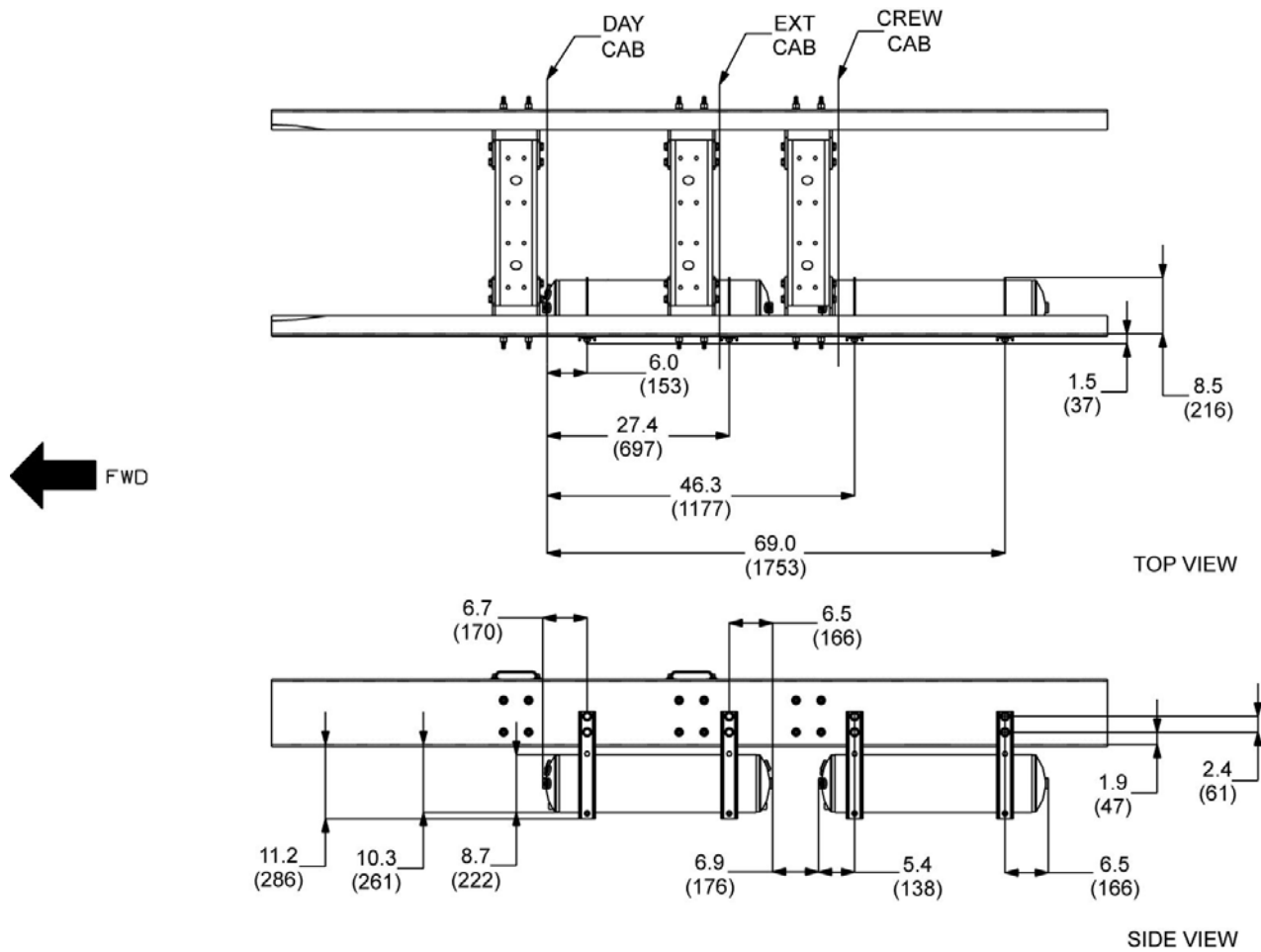
DIM B OPTIONS INCH / MM
14.8 (376)
16.8 (426)
18.7 (476)
20.7 (526)

mv_air_tank_front_of_rear_susps

AIR TANK LOCATION

All Models

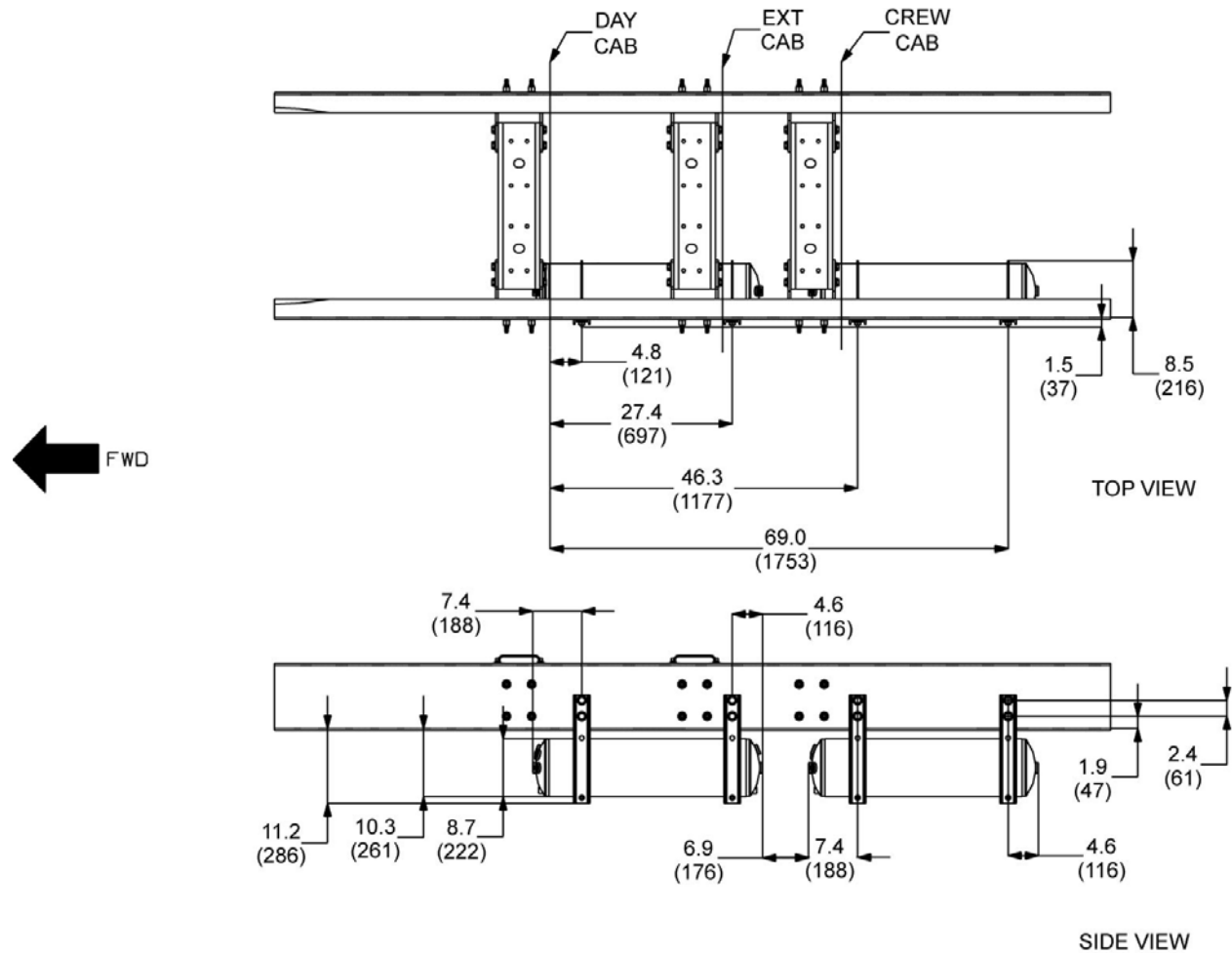
Air Tank Location 04VJE with Battery Box 08XDU



AIR TANK LOCATION

All Models

Air Tank Location 04VJE with Battery Boxes 08VUT, 08VUU, or 508004



MV_04vje_with_08vut_08vuu_508004

AIR DRYER LOCATION

All Models

Air Dryer Location 04VBC Mounted to Battery Box, Left Side, Under Cab

PENDING

AIR DRYER LOCATION

All Models

Air Dryer Location 04VGS Mounted Outside Right Rail, Forward of Front Wheel

PENDING

AIR DRYER LOCATION

All Models

Air Dryer Location 04VJL Mounted Outside Left Rail, 51" Back of Cab

PENDING

AIR DRYER LOCATION

All Models

Air Dryer Location 04VKC Mounted Inside Left Rail, Back of Cab

PENDING



EXHAUST SYSTEM

GUIDELINES FOR AFTERTREATMENT MODIFICATIONS

Navistar, Inc. has a responsibility to supply, install and ensure that the engines and aftertreatment emission control devices comply with the certification requirements of the U.S. Environmental Protection Agency (EPA) and the California Air Resources Board (ARB). The aftertreatment devices may include a combination of particulate filters, catalysts, catalytic converter, and temperature and pressure sensors, along with other components.

Proper long-term operation of these components requires controlling exhaust stream temperatures and the exhaust flow pattern throughout the system. This controls the required location of the components as well as the insulation of the various parts of the system.

For this reason, application guidelines for aftertreatment and tailpipe installations are much more complex and restrictive than in the past. Navistar, Inc. will ensure correct factory installation of aftertreatment devices to assure compliance with the certification requirements.

Modified systems could damage the engine, aftertreatment system and other truck systems and void the warranty coverage. In that regard, Navistar, Inc. will make it a policy to procure and correctly install the appropriate aftertreatment devices pursuant to applicable specifications and application guidelines. That brings with it the benefit of certified systems that will be fully covered under warranty provided the vehicle is properly maintained and not modified beyond the extent allowed by the Body Builder book.

The following guidelines are meant to clarify the allowable modifications for aftertreatment systems. Please consult applicable federal, state and local laws and requirements in conjunction with this document to ensure compliance to those requirements. Also, refer to applicable vehicle warranty information before performing any modifications to the vehicle. Non-compliance to the requirements of the warranty may nullify it in its entirety.

- Where possible, trucks first and foremost should be ordered directly from the factory that meets the body installation requirements so that the minimum, or no modification of the exhaust system will be required.
- Relocation or modification of the Aftertreatment system or the turbo outlet piping is NOT permitted without approval from Navistar, Inc. and the engine manufacturer. Requests for relocation or modification will be reviewed on a case by case basis.
- Exhaust Gas Temperatures may be as high as 800× C during vehicle operation. Precautions should be taken to ensure that materials used in the vicinity of the exhaust system and exhaust gas stream can withstand these temperatures or are safely shielded.

MEETING LEGAL REQUIREMENTS

It is the responsibility of the person performing modifications to the vehicle to ensure that the vehicle, in its final configuration, conforms to any applicable law regarding emission control, noise level and applicable safety standards.

TURBO PIPE

The function of the Turbo Pipe is to deliver exhaust gases from the engine to the Aftertreatment Module so that temperature losses are minimized and so that the flow pattern of the exhaust gases maximizes the efficiency of the Aftertreatment Module. Relocation or modification of the turbo outlet piping is NOT permitted without approval from Navistar, inc. and the engine manufacturer. Requests for relocation or modification will be reviewed on a case by case basis. Any modification to this piping without written approval of Navistar, Inc. will significantly reduce the performance of the Aftertreatment Module and VOID any applicable warranty.

If so equipped, heat shields and protective wraps must be maintained on the vehicle to ensure the proper performance of the Aftertreatment Module and for the protection of the installed truck systems.

AFTERTREATMENT MODULE

The function of the Aftertreatment Module is to catch soot exhausted from the engine and convert it to ash. In conjunction, it reduces oxides of nitrogen (NOx) through SCR. It is critical that the all sensors and pressure monitoring wiring remain intact for the Aftertreatment Module to perform as designed. It is critical to maintain the location of the Aftertreatment Module and all sensors as installed from the factory to ensure proper operation. Relocation or modification of the Aftertreatment Module is NOT permitted without approval from Navistar, Inc. and the engine manufacturer. Requests for relocation or modification will be reviewed on a case by case basis. Any modification to this Aftertreatment Module without written approval of Navistar, inc. will significantly reduce the performance of the Aftertreatment module and VOID any applicable warranty.

If so equipped, heat shields and protective wraps must be maintained on the vehicle to ensure the proper performance of the Aftertreatment Module and for the protection of the installed truck systems. In addition, heat shields and protective coverings may not be added to the Aftertreatment module which would restrict airflow to the system.

Never mount any additional harnesses or other equipment to the Aftertreatment Module.

TEMPERATURE CONTROL DEVICE

The function of the Temperature Control Device (if so equipped) is to reduce the exit exhaust gas temperature emitted from the Aftertreatment Device. This device has been specifically designed to draw in cooler air to mix with the hotter exhaust gases. It is critical that the openings in the device that draw in cooler air remain unblocked of debris or other equipment. This device is critical to ensure that the emitted temperatures of the exhaust are minimized. Any modifications to the Temperature Control Device without the written approval of Navistar, Inc. may significantly reduce the efficiency of the Temperature Control Device and significantly increase the emitted gas temperatures, and VOID any applicable warranty.

If so equipped, any installed Temperature Control Device MUST remain as part of the exhaust piping.

Changes to the location of the Temperature Control Device relative to the Aftertreatment Module must meet federal emissions, noise and safety requirements. The responsibility for demonstrating that legal requirements are met when modifications have been made belongs to the modifier of the system.

If changing the location, special attention must be given to maintaining clearances around the exhaust piping, as well as maintaining the structural integrity and exhaust backpressure of the system. Tables included in this document provide recommended clearances and back pressure estimation procedures.

EXHAUST PIPING MODIFICATIONS

Never modify (including altering the internal structure, substituting, or relocating) the turbo pipe or the aftertreatment module. **Never** alter the internal structure of the temperature control device.

When lengthening or shortening tailpipes beyond the Aftertreatment Module, observe the following precautions:

1. Use the same size and material to extend or shorten the original pipe.
 - *Refer to Table 3 for proper material and sizing of pipes when extending or shortening tailpipe sections.*
2. Adding additional extensions and bends will change internal exhaust gas pressure, which could result in damage to the Aftertreatment Module or other engine components as well as a reduction in fuel economy.
 - *Use the backpressure values from the engine data sheets to compute the backpressure of the modified exhaust piping. Ensure that the limits are within the data sheet when tested per the backpressure test procedure.*
3. Additional piping should be supported so that minimal stress is placed on the Aftertreatment Module outlet. The bending moment on the outlet of the Aftertreatment Module cannot exceed 10 N-m @ 1 G acceleration. As a guide, one additional support should be included for every 4 linear feet of exhaust piping added, evenly spaced along the length of the chassis.

The exhaust piping should be routed so that the Temperature Control Device, if so equipped, is at the end of the exhaust pipe and oriented in the same manner as received from the factory.

The exhaust piping should be routed so that the Temperature Control Device, if so equipped, is at the end of the exhaust pipe and oriented in the same manner as received from the factory.

Route all piping with minimum clearances to other chassis components as shown in Table 4.

MOUNTING OF BODY EQUIPMENT

In comparison to vehicles produced prior to 2007, exhaust components surface temperatures and exhaust gas temperatures will typically be higher.

As a result of the increased temperatures, clearances to exhaust components will need to be increased compared to pre-2007 model year clearances.

Typical installation clearances used for pre-2007 model year engines and exhaust systems should be increased by 40% to ensure that body equipment is not damaged by the increased heat of these systems.

Do not mount any Body Equipment within 8 inches (200mm) of the exhaust pipe outlet to avoid damage from hot exhaust gases.

DPF/SCR EQUIPMENT

Body Builders **must not** modify (including altering, substituting, and relocating) the DPF/SCR catalyst and the pre DPF/SCR exhaust piping. The downstream SCR catalyst exhaust may be modified, however using smaller diameter piping or piping with numerous bends is not recommend as the backpressure specification of the system may be exceeded causing engine power loss or shutdown.

When modifying other chassis systems, maintain clearances shown in Table 4.

Table 3		
Tailpipe Extension, Material and Pipe Sizing		
Cummins B6.7	Pipe Material	409 Stainless Steel
	Pipe Diameter	4"
	Wall Thickness	0.065"
Cummins L9	Pipe Material	409 Stainless Steel
	Pipe Diameter	4"
	Wall Thickness	0.065"

Table 4

Minimum Clearances Between Exhaust System
Components and Other Chassis Components

Component	Minimum Clearance, mm (in)
Electric Harness	150 (6.0)
Electric Harness (w. heat guard)	100 (4.0)
Mechanical Cable	50 (2.0)
Fuel Tube, metal	150 (6.0)
Fuel Tube, rubber or plastic	150 (6.0)
Brake Tube, metal	100 (4.0)
Brake Tube, rubber or plastic	150 (6.0)
Tire	100 (4.0)
Fuel Tank	100 (4.0)

BACKPRESSURE DATA SHEETS

Maximum Backpressure Values

Cummins B6.7

HP	(in-Hg)	(kPa)
200	7.6	26
220	8.5	29
240	9.1	31
250	9.5	32
260	9.7	33
280	9.4	32
300	10.3	35
325	10.6	36
340	PENDING	
360		

Cummins L9

HP	(in-Hg)	(kPa)
260	7.9	27
270	7.6	26
300	8.1	27
330	8.8	30
350	8.9	30

Refer to the "Backpressure Test Procedure" on page 8.

BACKPRESSURE TEST PROCEDURE

Test Method for Measuring Exhaust Backpressure

NOTE: The exhaust backpressure is required for a fully assembled system including DPF, SCR device and any diffuser device installed.

- Perform a non-mission regeneration on the DPF system to ensure it is clean prior to checking exhaust backpressure
- Connect a manometer or pressure gauge which reads up to 272 in H₂O, 20 in Hg, 10 psi, 508 mm Hg or 68 kPa in a straight section of 4 inch diameter exhaust pipe, 3 to 4 pipe diameters downstream of the exhaust engine outlet flange. Turbulence in the exiting gas flow from VGT turbochargers results in the need to measure exhaust backpressure at this distance from the outlet flange. The port in the exhaust pipe should be smooth and free of burrs to give an accurate pressure reading.
- Determine the engine speed which delivers the maximum exhaust flow. This is the engine speed which should be used for this test. Testing should be conducted at ambient temperatures between 21 to 38 deg C (70 - 100 deg F).
- Run the engine at full power output on a vehicle chassis dynamometer or a long uphill climb at the correct engine speed for at least 10 minutes or until stabilized power output is achieved, and record the exhaust backpressure reading.
- For industrial engines, load the engine to the speed at which the maximum exhaust flow occurs for at least 10 minutes and record the exhaust backpressure reading.
- If this testing is done on a long hill climb, it may be necessary to repeat the test in different gears or use the vehicle brakes to achieve the desired engine speed. If testing on road, the hill used must be steep enough that with the engine at full throttle, the vehicle speed is steady or dropping when the exhaust backpressure is recorded to ensure the engine is at full power output.
- If engine turbocharger boost pressure is also recorded during this test, the pressure at the turbo compressor outlet can be compared to the Turbo Compressor Outlet Pressure on the Engine Data Sheet to ensure the engine is at full power output. The measured turbocharger boost pressure should be within 75mm Hg (3 in Hg) of the value on the Engine Data Sheet with the engine at full power.

BACKPRESSURE TEST PROCEDURE (CONT'D)

Exhaust Backpressure Test Results

Engine Model and Power Rating	
Engine Sped for Maximum Exhaust Flow	
Measured Exhaust Back Pressure at Full Power Output:	
-in H ₂ O	
-in Hg	
-psi	
-mm Hg	
-kPa	
Test Location:	
-On Dynamometer?	
-On Road?	

NOTE:When the exhaust back pressure measurement is taken in a pipe diameter other than 4 inches, then the measured values must be adjusted to account for the change.

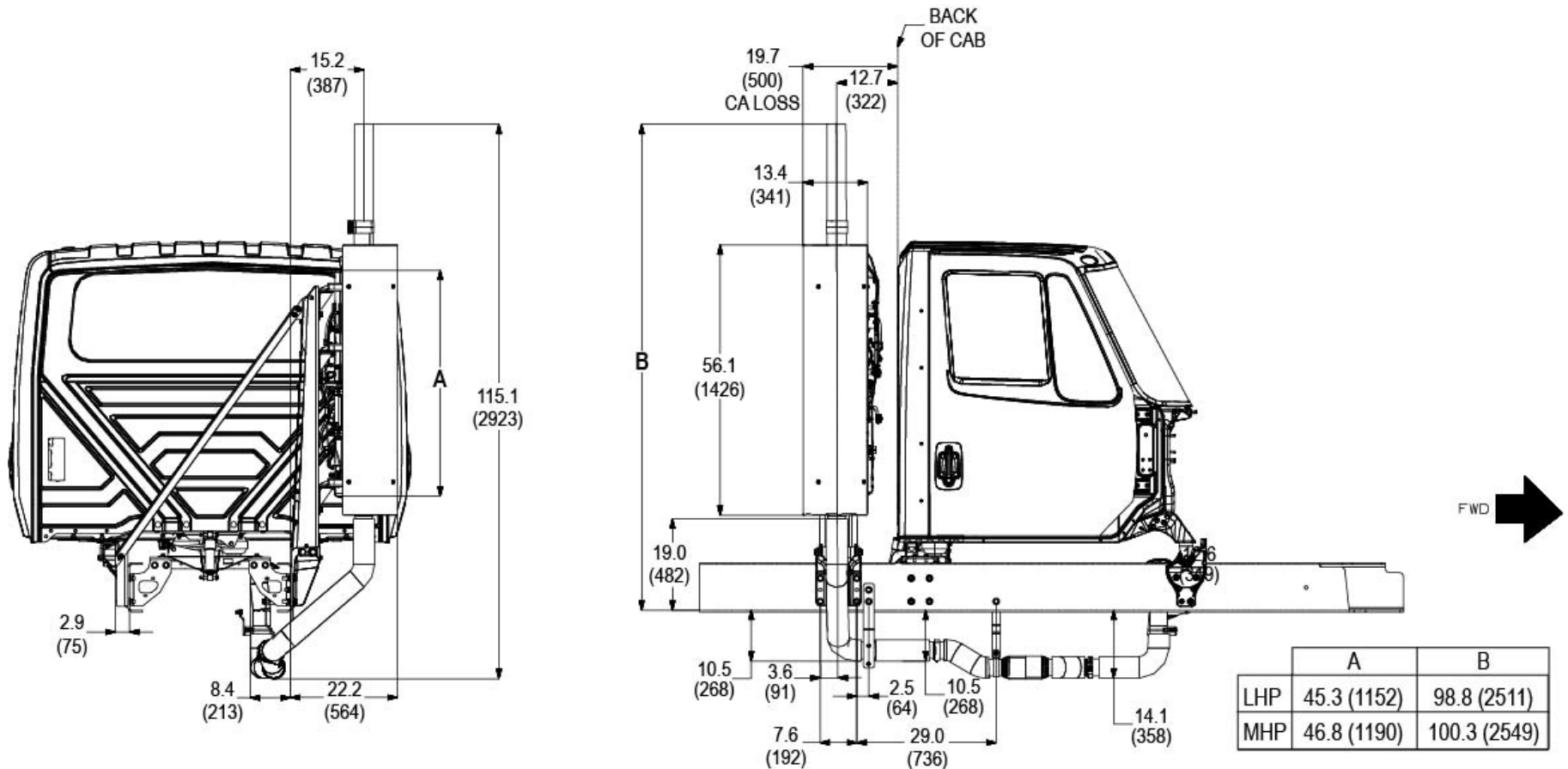
*AFTERTREATMENT DIAGRAMS***Engine Features by Aftertreatment Type**

	Cummins B6.7	Cummins L9
Low Horsepower (LHP)	12EJC 12EJG 12EJH 12EJS 12EJV	—
Mid Horsepower (MHP)	12EJY 12EKA 12EKC 12EKD 12EKE	12EHS 12EHT 12EHU 12EHV 12EHW 12EHX

AFTERTREATMENT DIAGRAMS

07BKN; Vertical Aftertreatment with Vertical Tailpipe

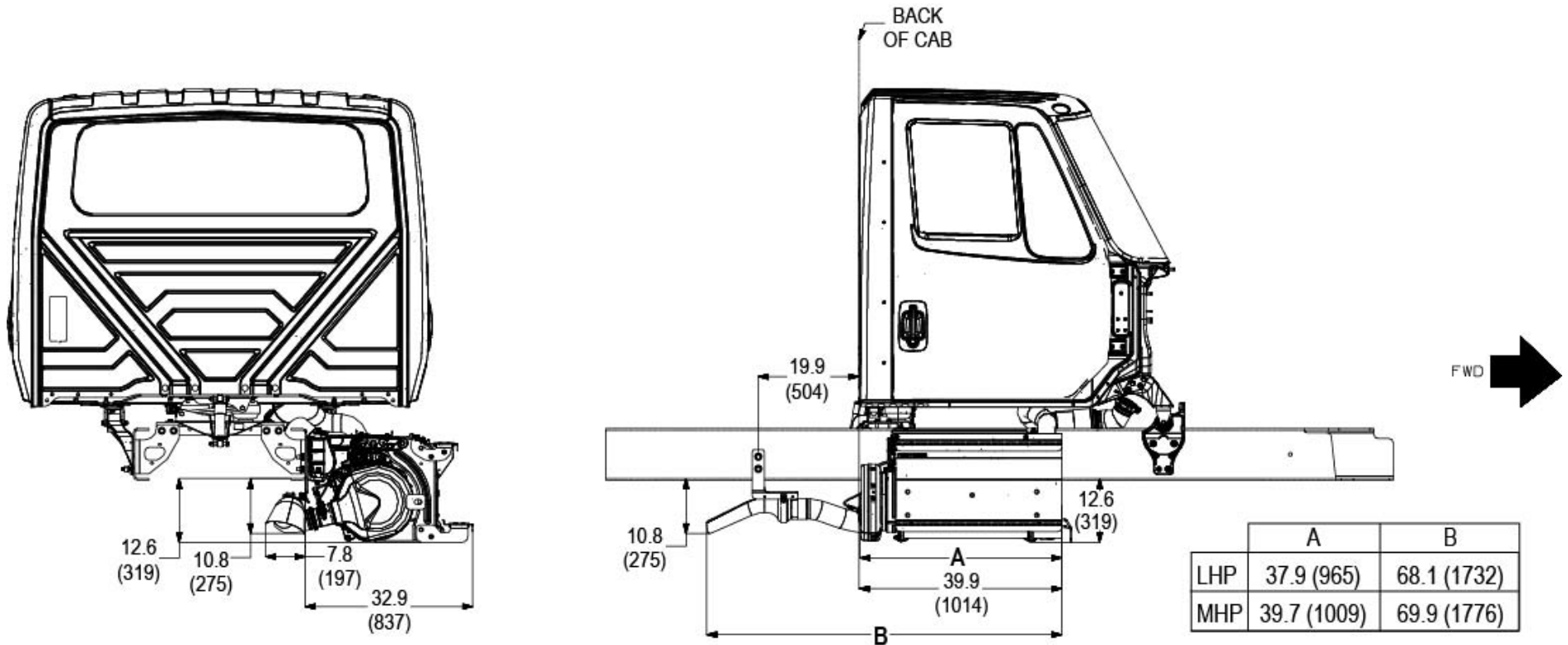
Mounted Right Side Back of Day Cab



MV_07bkn

AFTERTREATMENT DIAGRAMS

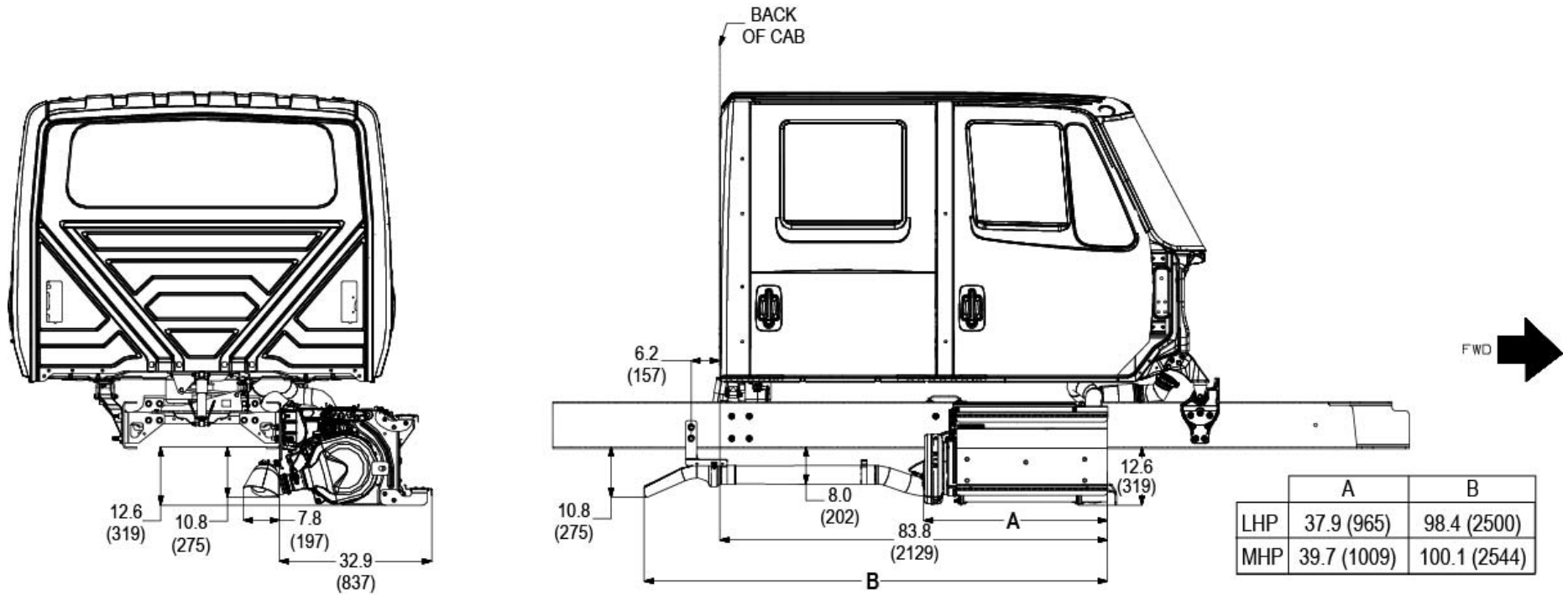
*07BKP (Day Cab); Horizontal Aftertreatment with Short Horizontal Tailpipe
Mounted Right Side Under Cab*



AFTERTREATMENT DIAGRAMS

07BKP (Crew Cab); Horizontal Aftertreatment with Short Horizontal Tailpipe

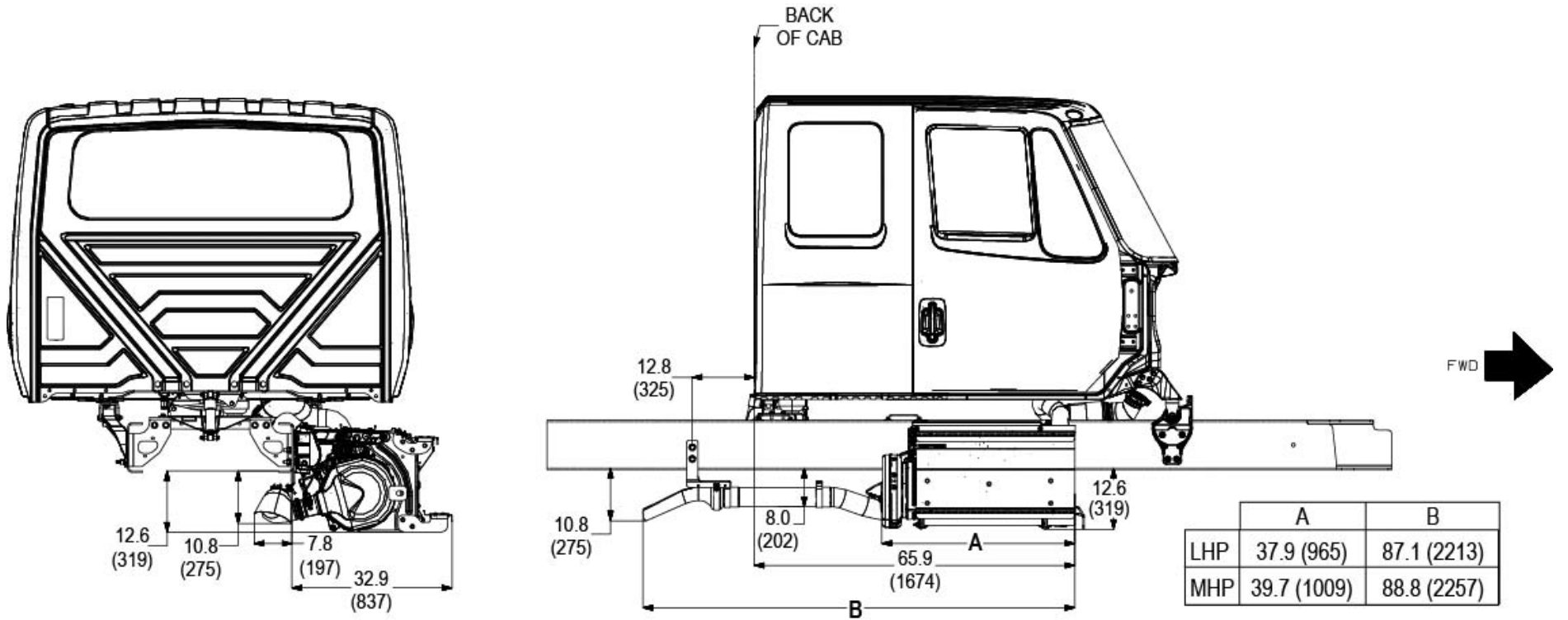
Mounted Right Side Under Cab



MV_07bkp_crew_cab

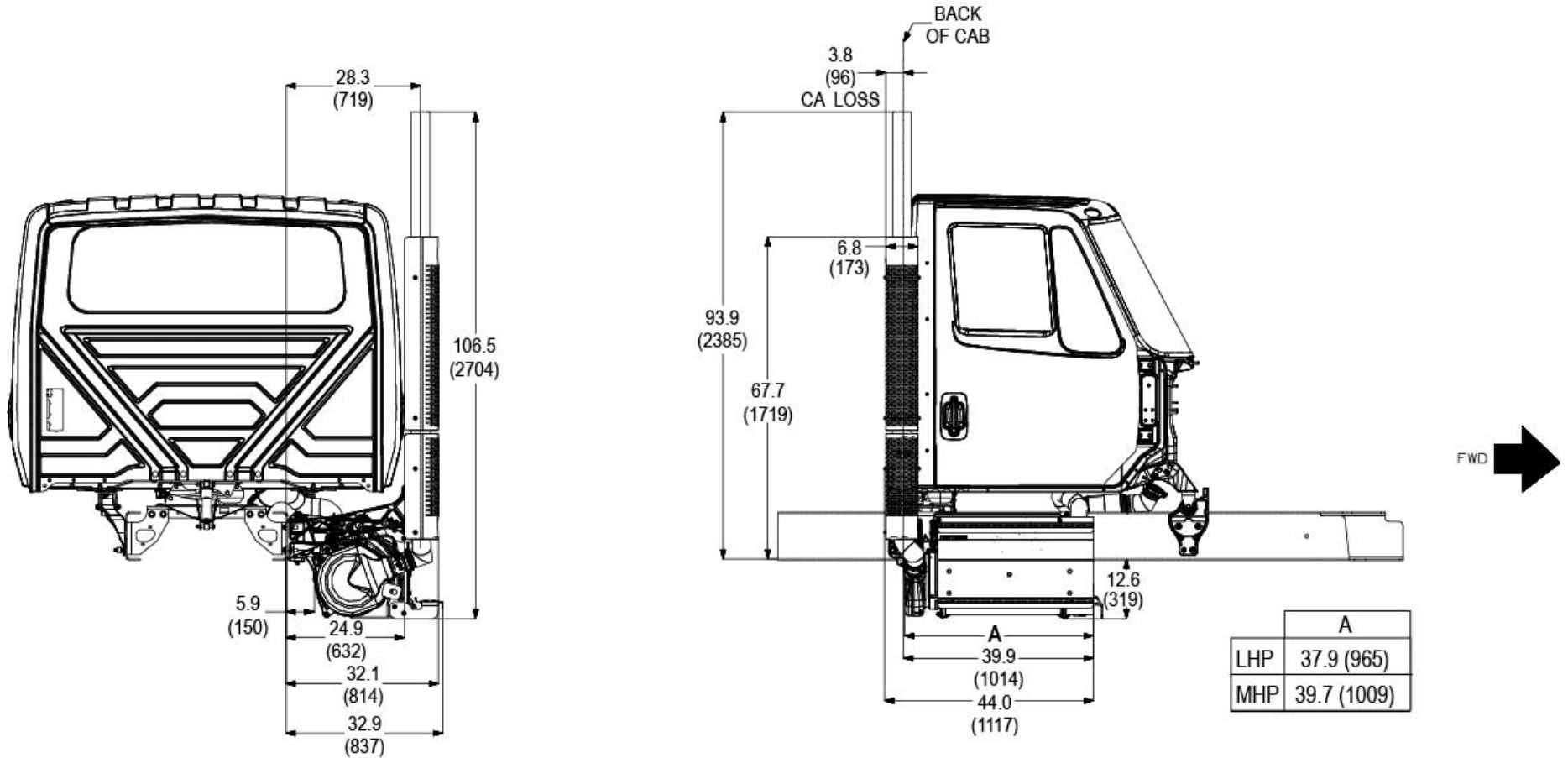
AFTERTREATMENT DIAGRAMS

*07BKP (Extended Cab); Horizontal Aftertreatment with Short Horizontal Tailpipe
Mounted Right Side Under Cab*



AFTERTREATMENT DIAGRAMS

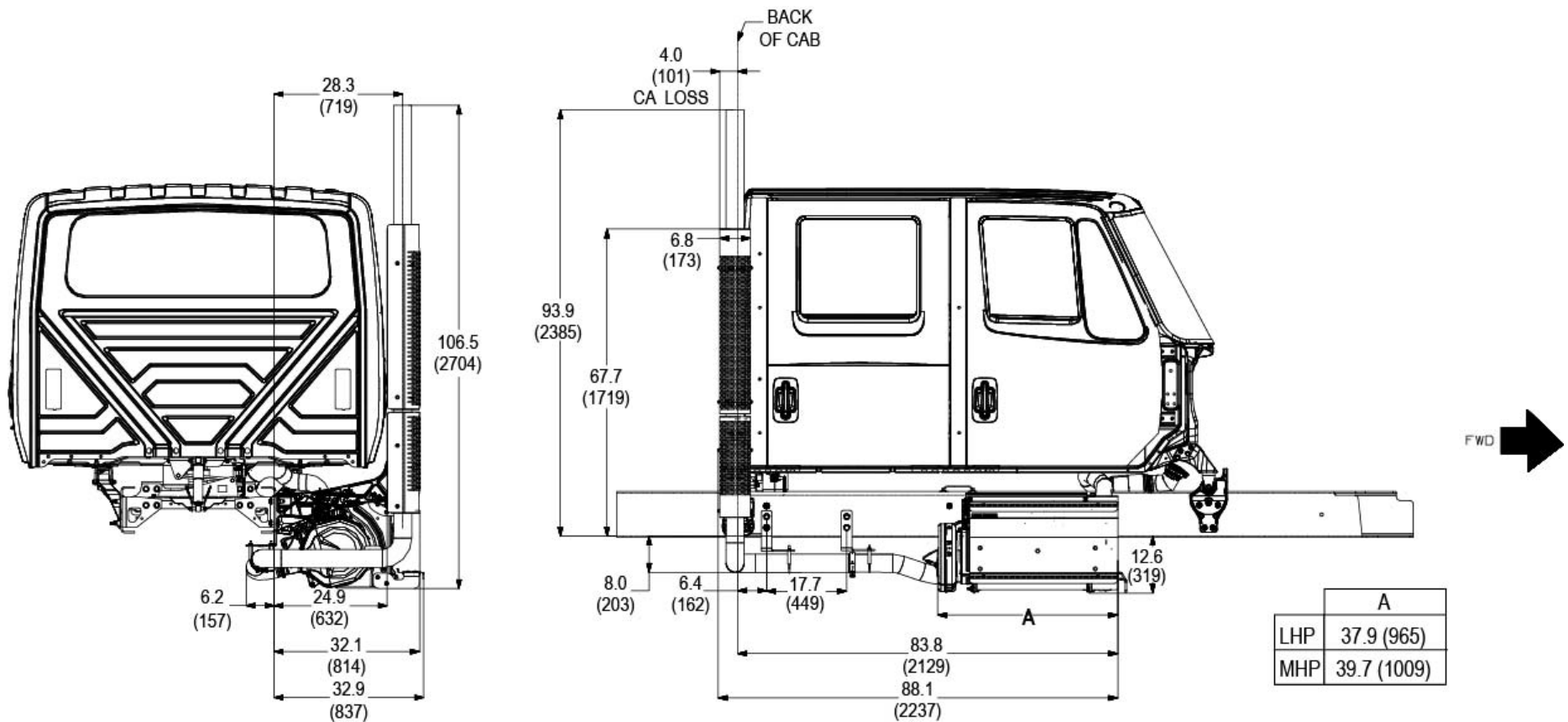
*07BKS (Day Cab); Horizontal Aftertreatment with Vertical Tailpipe
Mounted Right Side BOC*



MV_07bks

AFTERTREATMENT DIAGRAMS

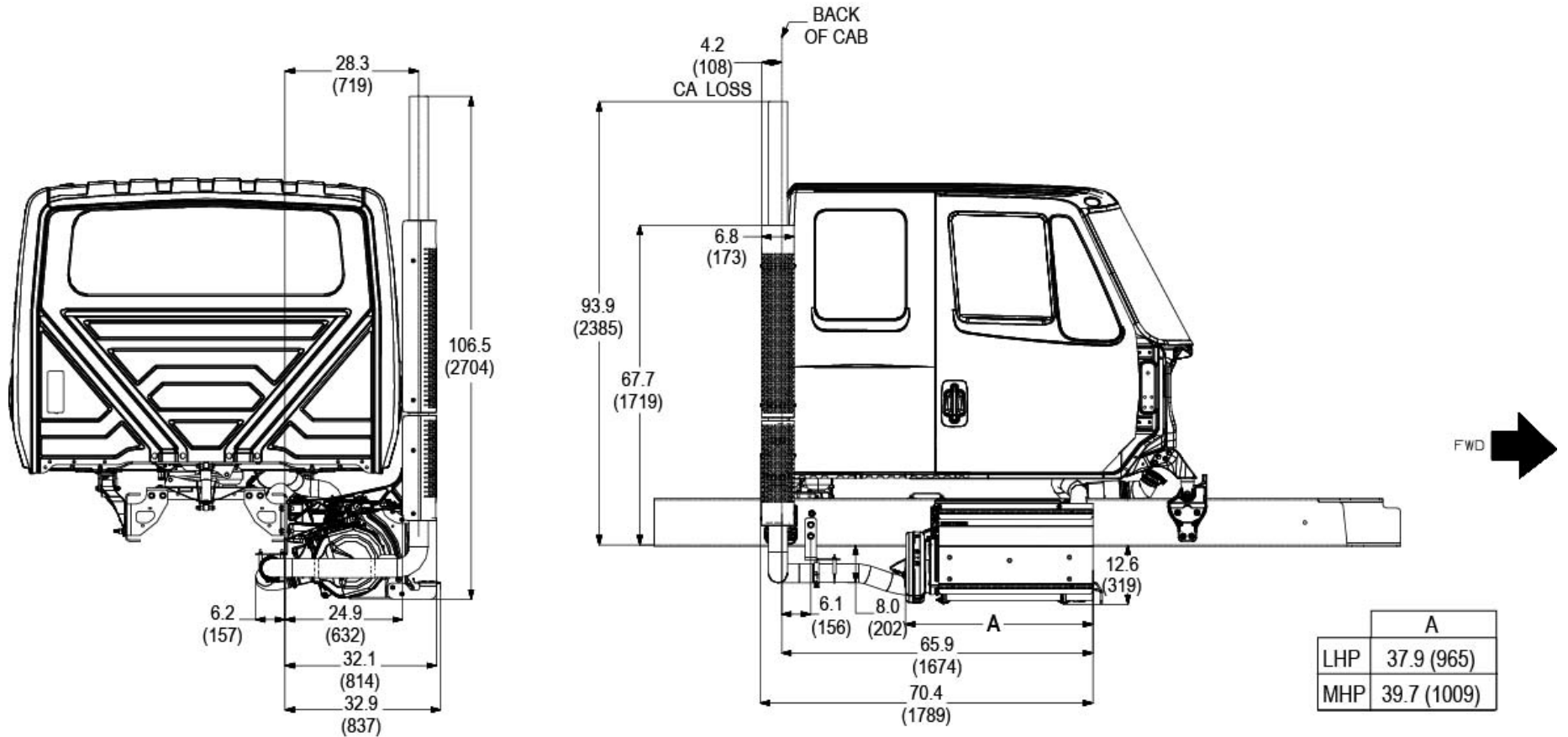
*07BKS (Crew Cab); Horizontal Aftertreatment with Vertical Tailpipe
Mounted Right Side BOC*



AFTERTREATMENT DIAGRAMS

07BKS (Extended Cab); Horizontal Aftertreatment with Vertical Tailpipe

Mounted Right Side BOC

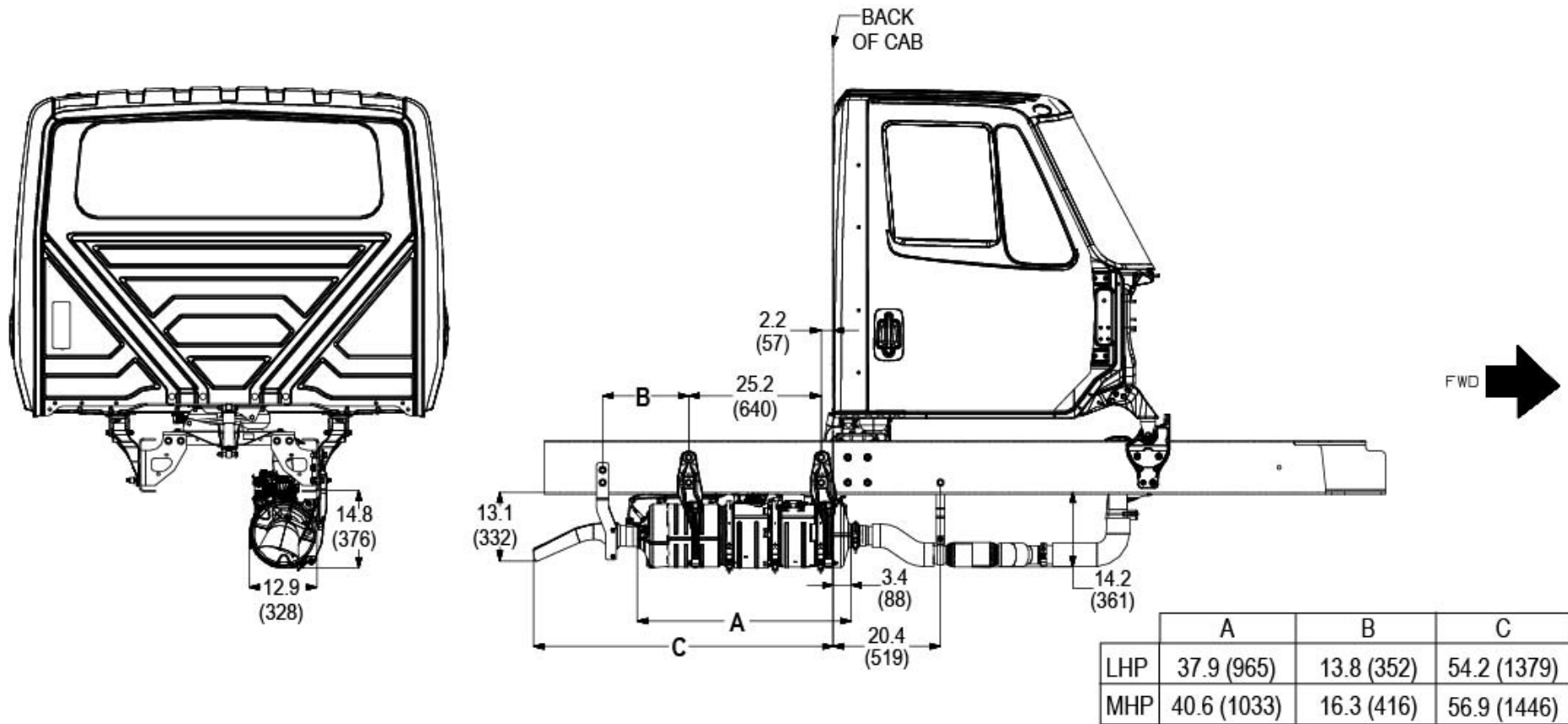


MV_07bks_ext_cab

AFTERTREATMENT DIAGRAMS

07BKY; Horizontal Aftertreatment with Short Horizontal Tailpipe

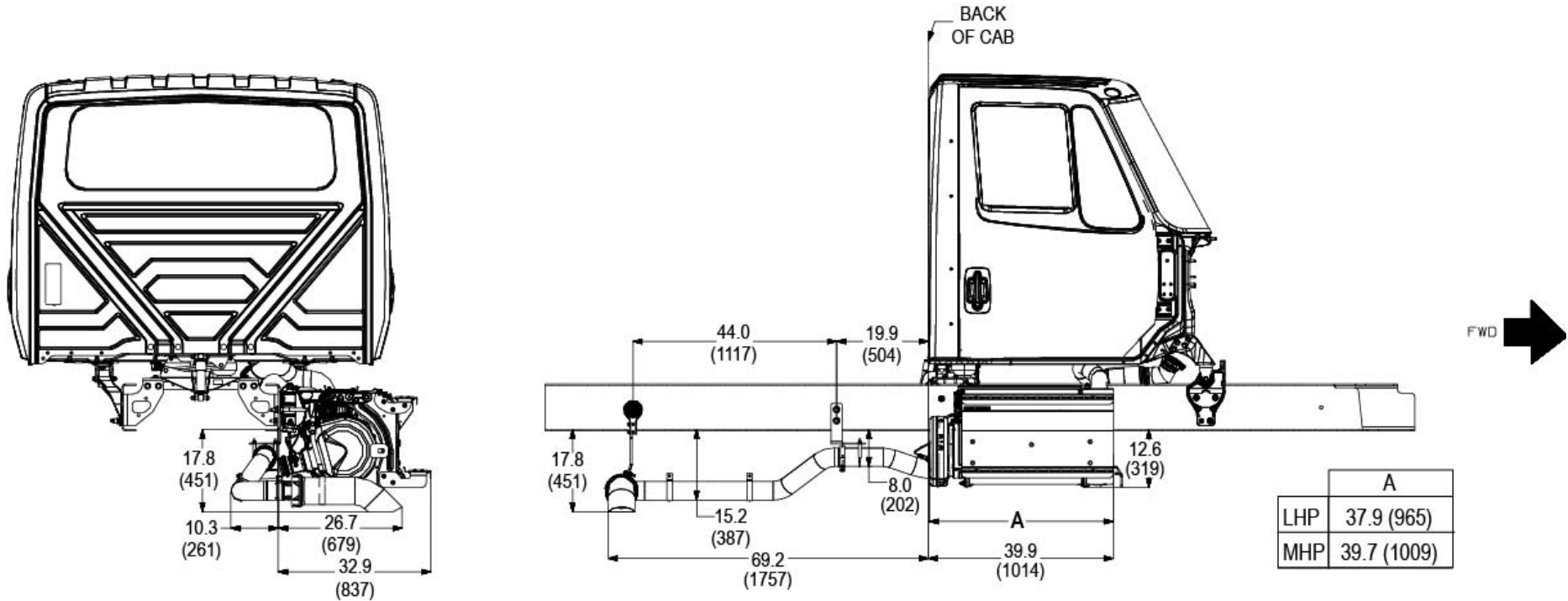
Mounted Under Right Rail BOC



AFTERTREATMENT DIAGRAMS

07BKZ (Day Cab); Horizontal Aftertreatment with Long Horizontal Tailpipe

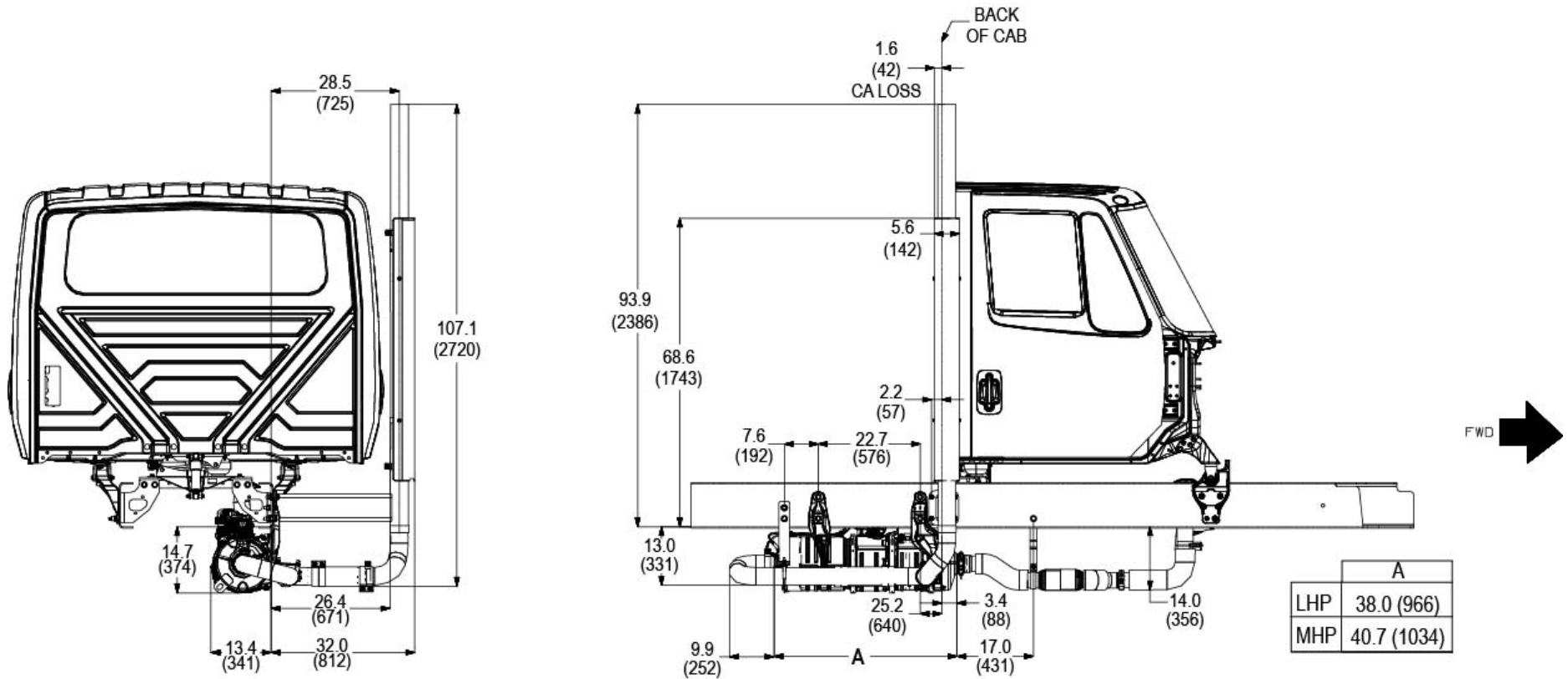
Mounted Right Side Under Cab



MV_07bkz

AFTERTREATMENT DIAGRAMS

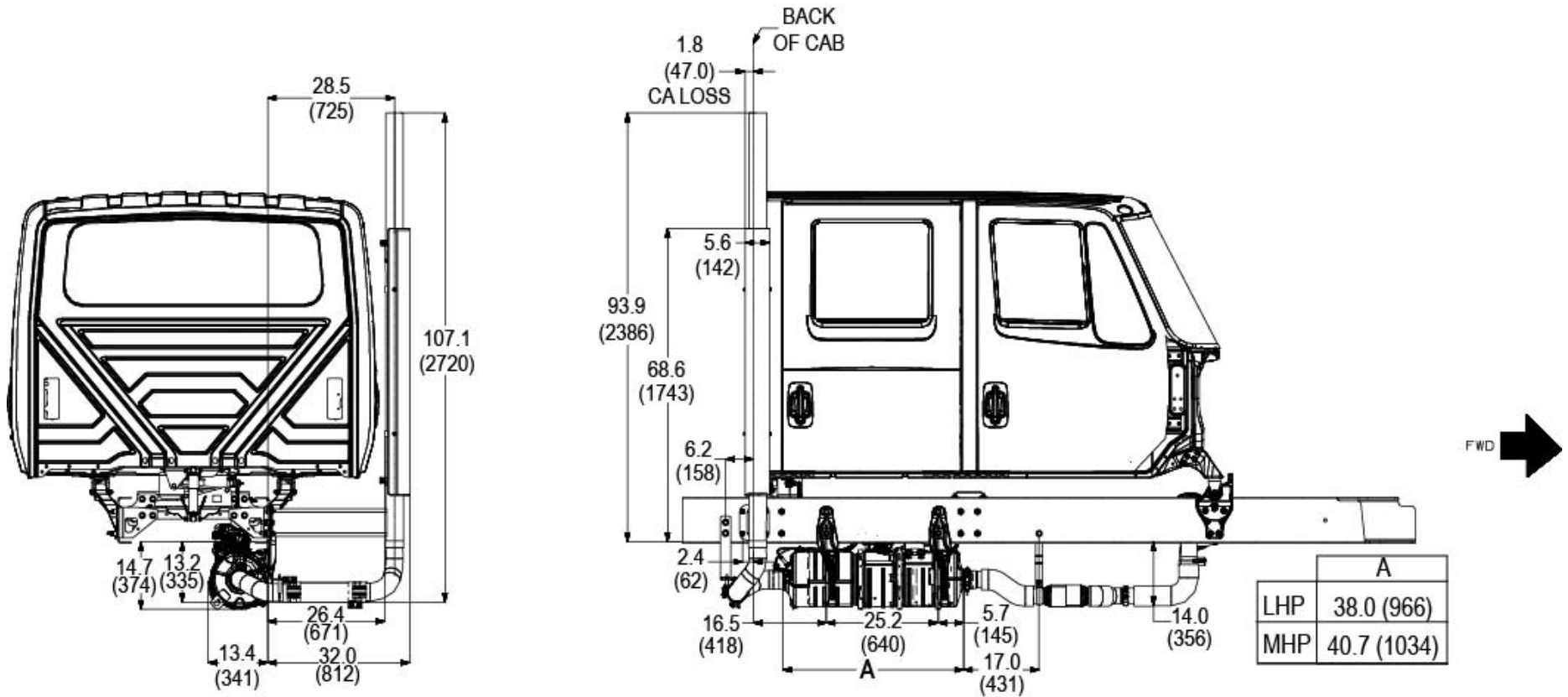
*07BLB (Day Cab); Horizontal Aftertreatment with Vertical Tailpipe
Mounted Under Right Rail*



AFTERTREATMENT DIAGRAMS

07BLB (Crew Cab); Horizontal Aftertreatment with Vertical Tailpipe

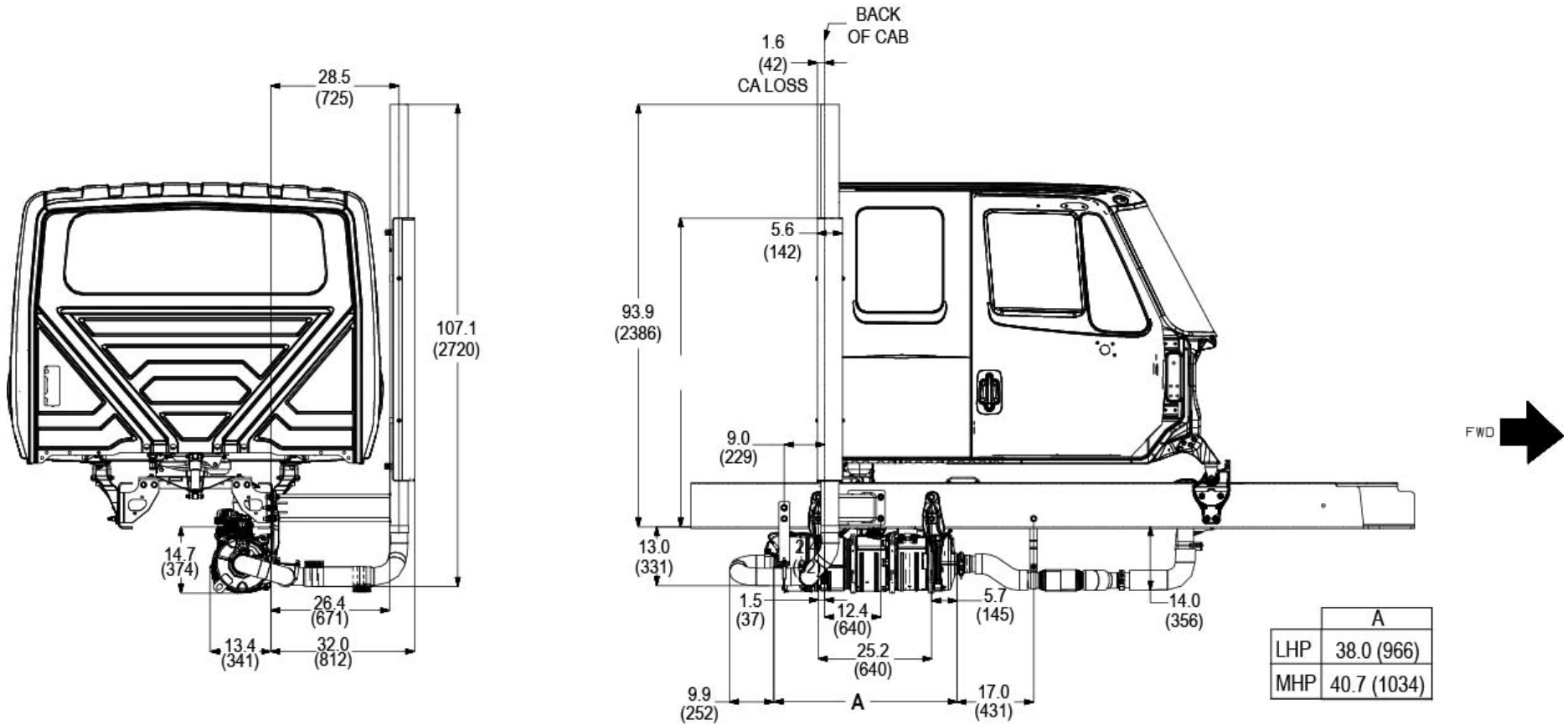
Mounted Under Right Rail



MV_07blb_crew_cab

AFTERTREATMENT DIAGRAMS

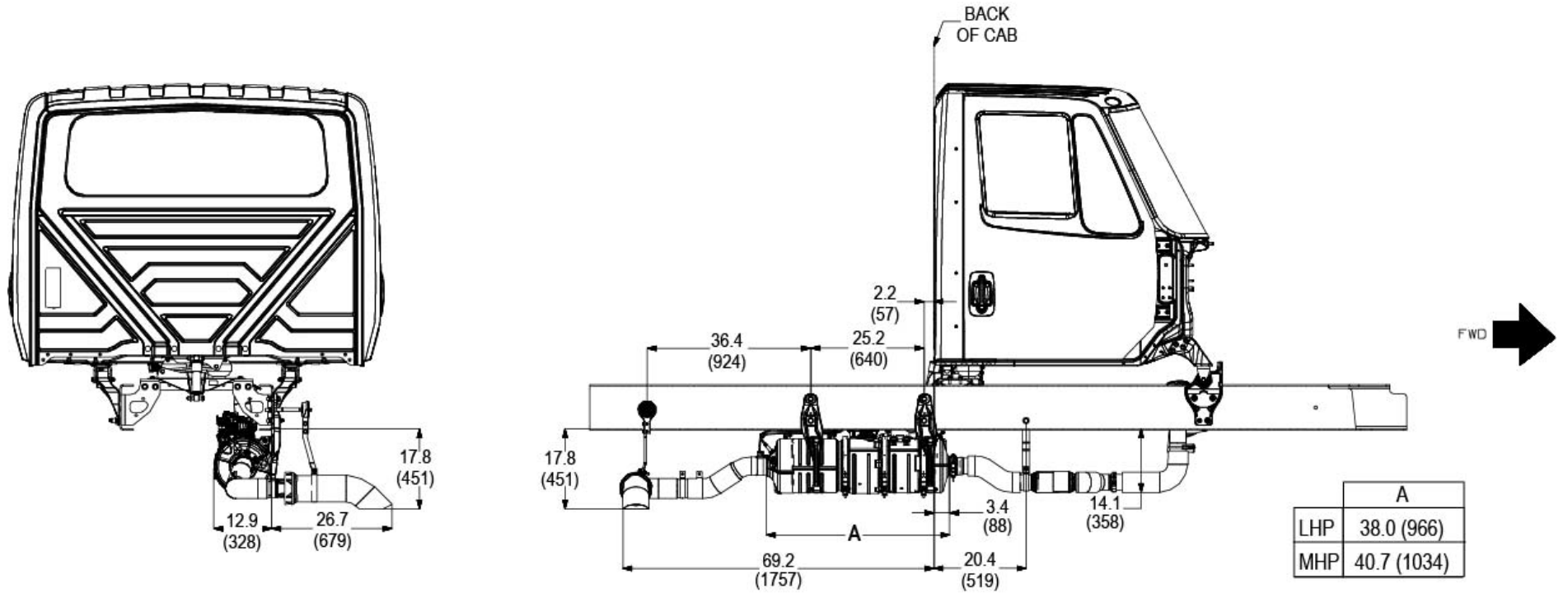
*07BLB (Extended Cab); Horizontal Aftertreatment with Vertical Tailpipe
Mounted Under Right Rail*



AFTERTREATMENT DIAGRAMS

07BLH (Day Cab); Horizontal Aftertreatment with Long Horizontal Tailpipe

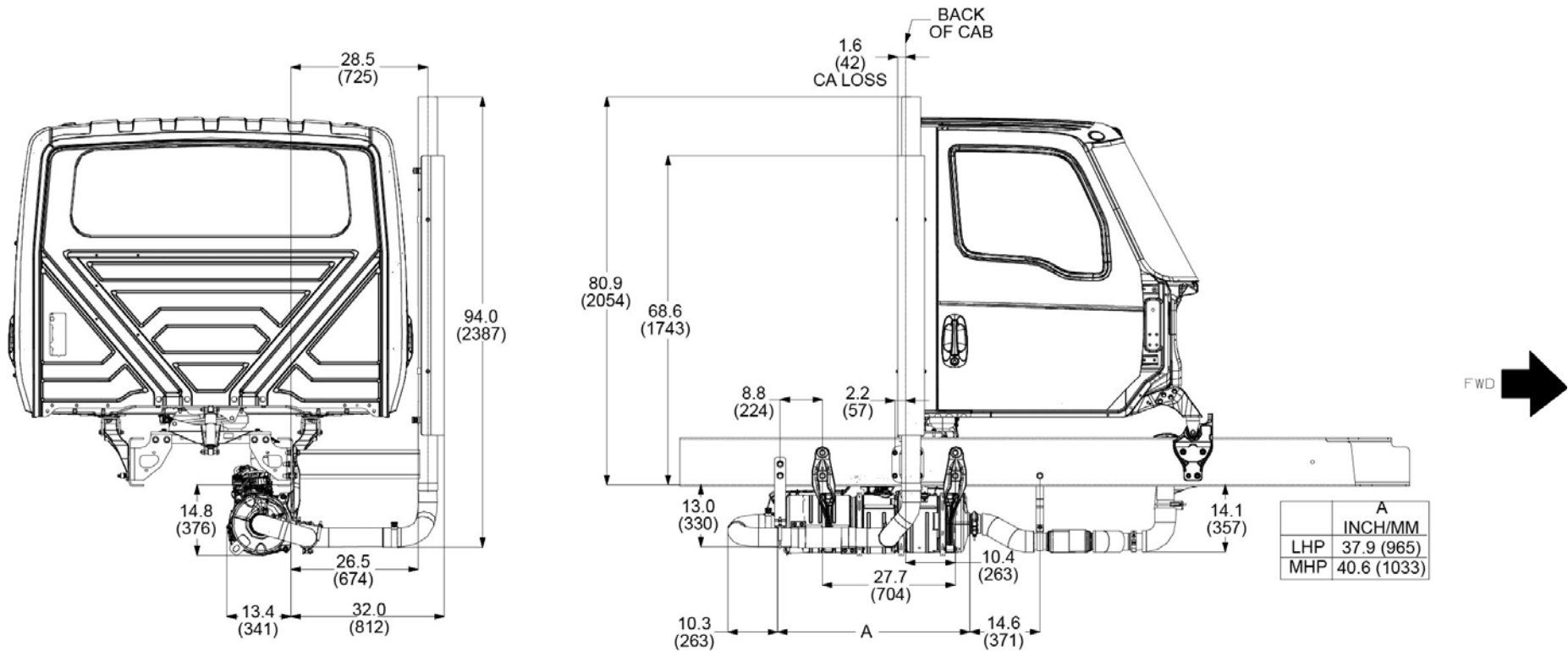
Mounted Under Right Rail BOC



MV_07blh

AFTERTREATMENT DIAGRAMS

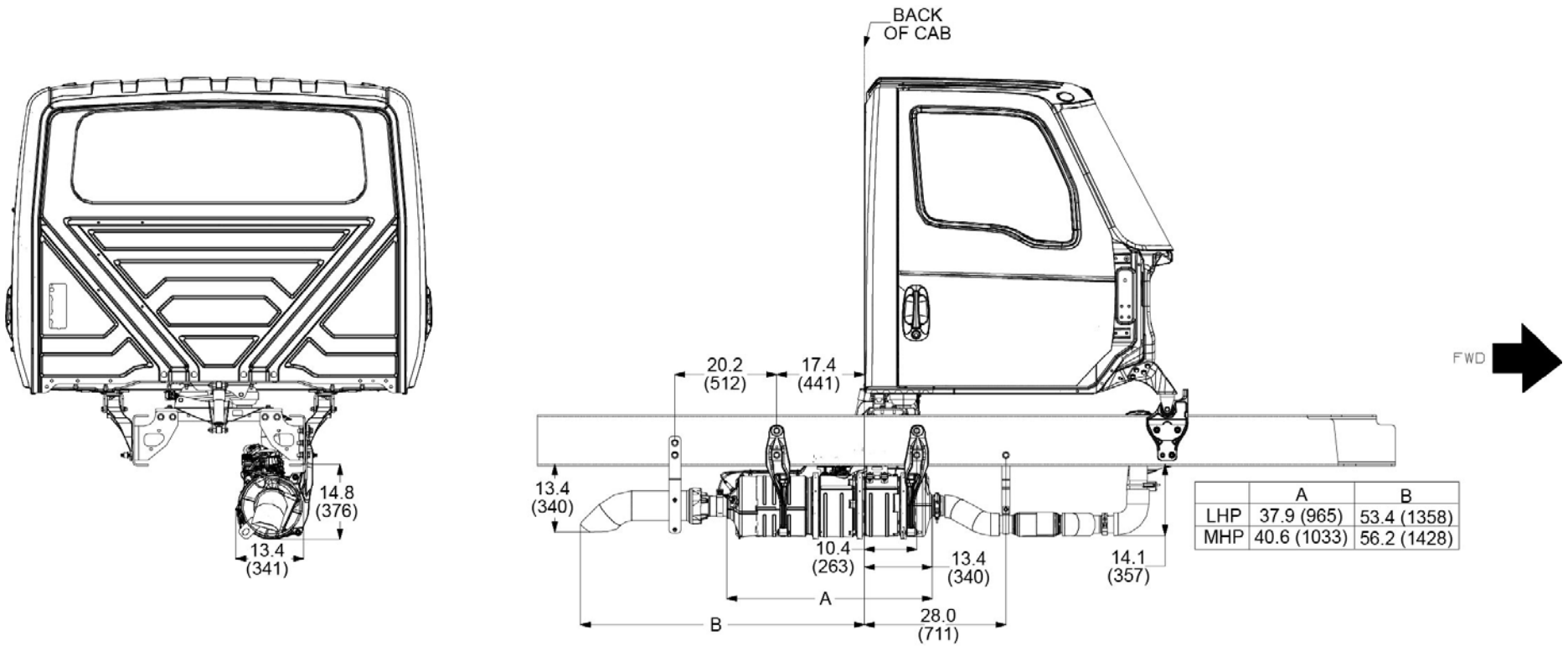
*07BLP (MV607 Only); Horizontal Aftertreatment with Vertical Tailpipe
Mounted Right Side BOC*



AFTERTREATMENT DIAGRAMS

*07BLS (MV607 Only); Horizontal Aftertreatment with **Horizontal** Tailpipe*

*Mounted Right Side **Forward** Location*



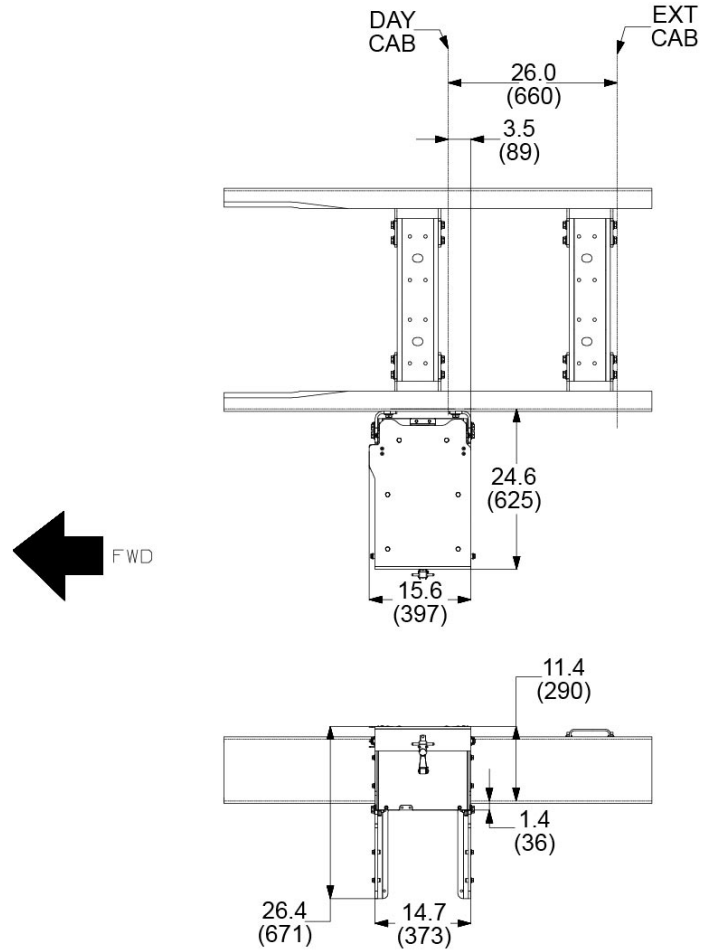
MV_07bls



ELECTRICAL

BATTERY BOX LOCATION

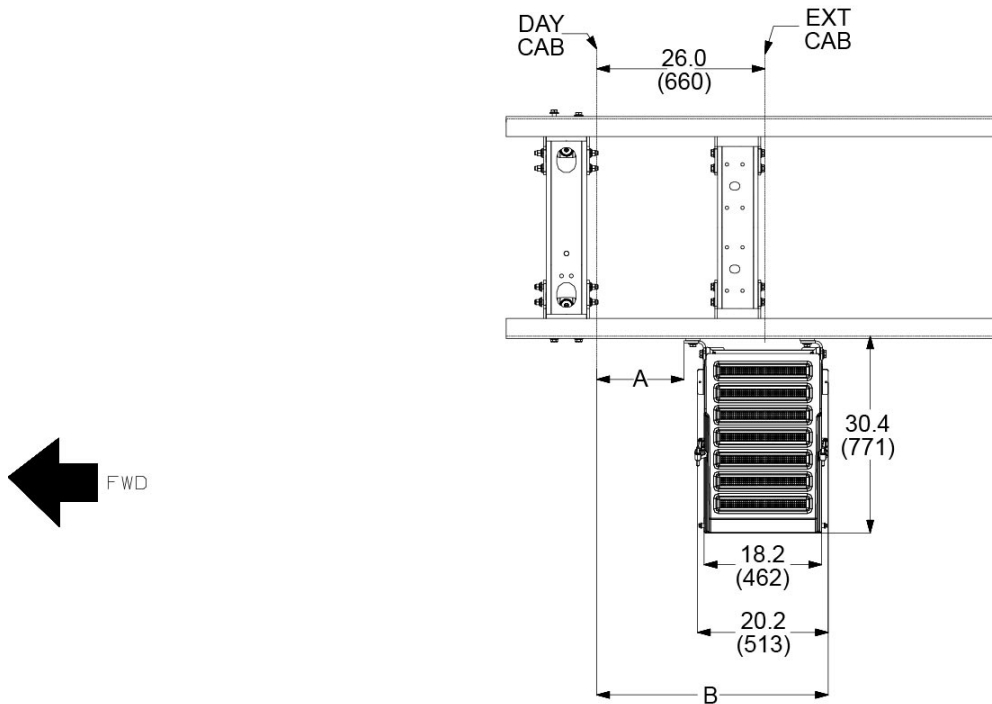
14" Left Side Under Cab



mv_14in_left_side_uc

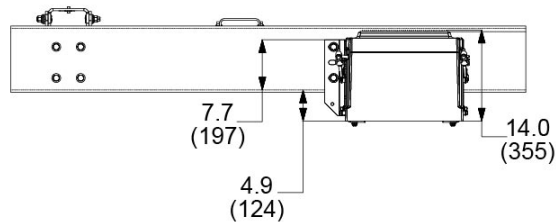
BATTERY BOX LOCATION

18" Left Side Back of Cab

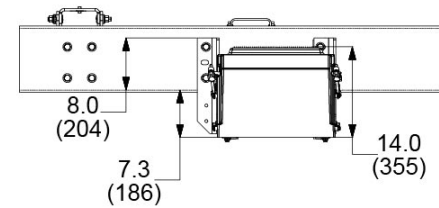


BATTERY BOX	DIM A	DIM B
08VUL/08VUM	13.5 (342)	35.7 (908)
08WJJ/08VUN	52.5 (1334)	74.8 (1900)
08VUT/08VUU	xx.x (xxx)	xx.x (xxx)

with air tank mounted under battery box

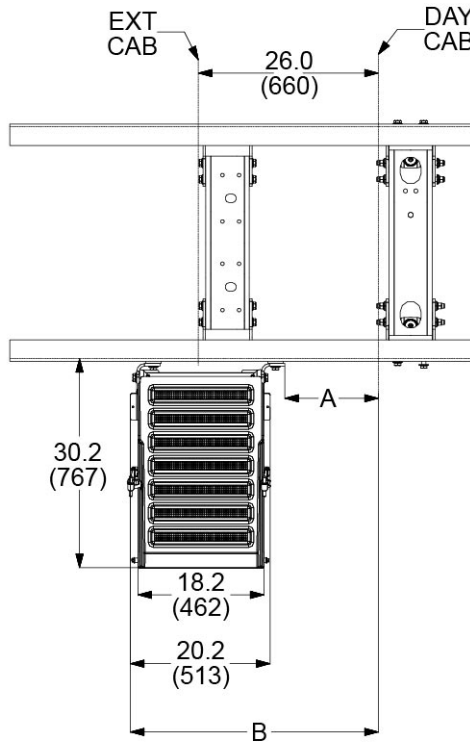


without air tank mounted under battery box

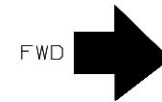


BATTERY BOX LOCATION

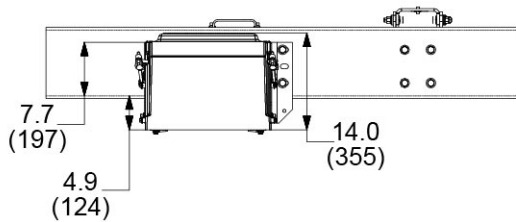
18" Right Side Back of Cab



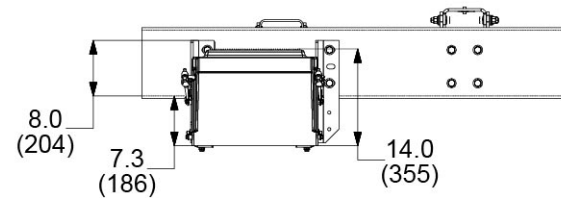
BATTERY BOX	DIM A	DIM B
08VUJ/08VUK	13.5 (342)	35.7 (908)
08WEK/08VTN	34.8 (886)	57.2 (1452)



with air tank mounted under battery box



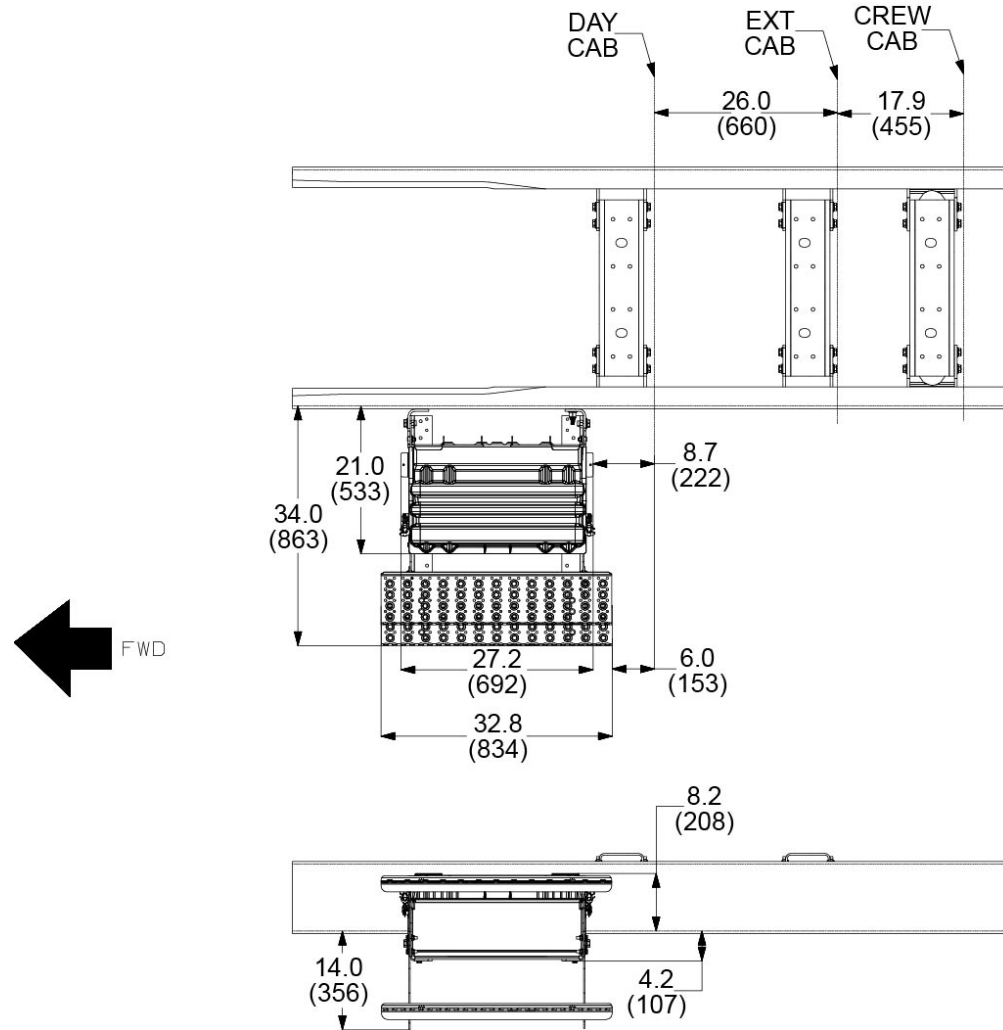
without air tank mounted under battery box



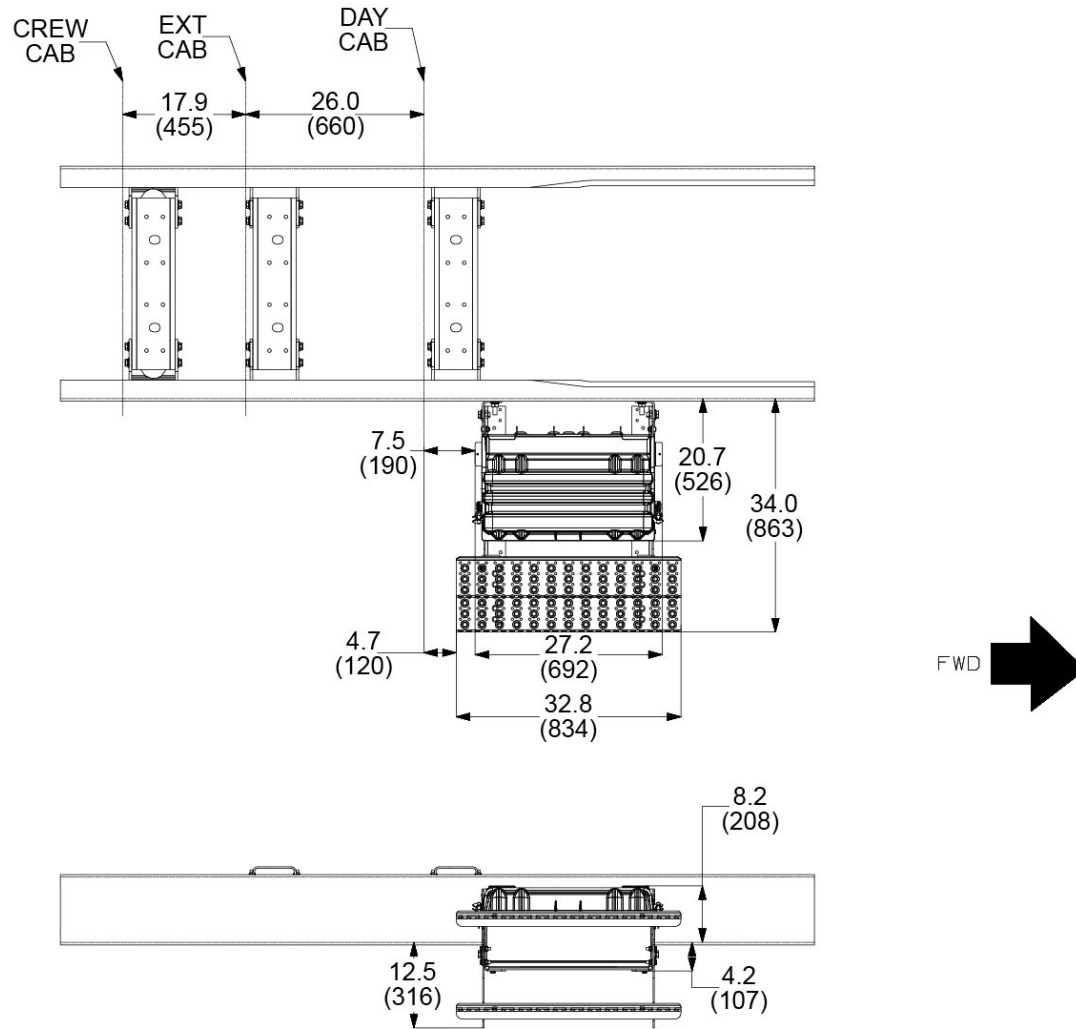
mv_18in_right_side_boc

BATTERY BOX LOCATION

25" Left Side Under Cab



BATTERY BOX LOCATION
25" Right Side Under Cab



mv_25in_right_side_uc

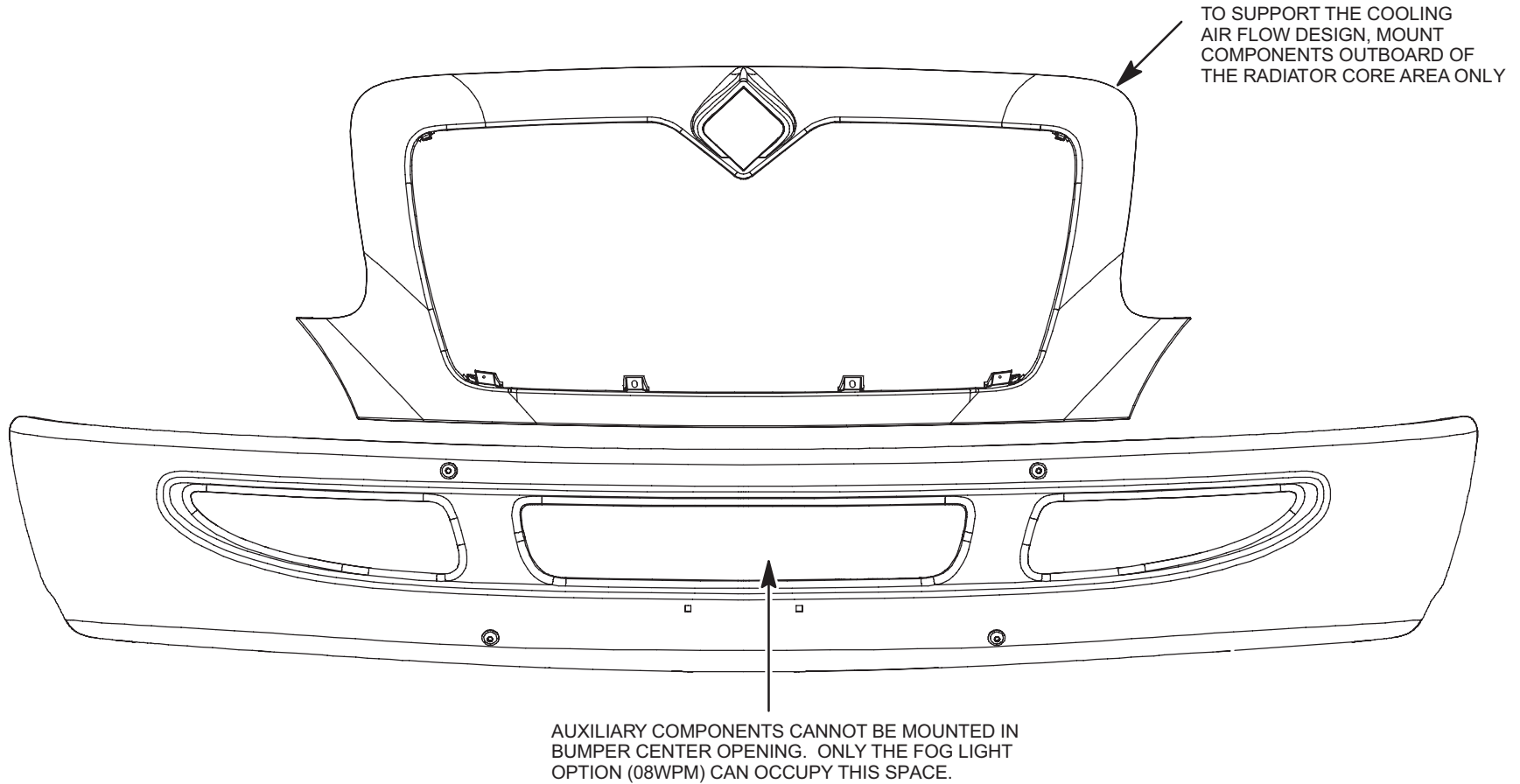
ELECTRICAL CIRCUIT DIAGRAMS

For more detailed information regarding electrical body builder integration, refer to the following publications on the Body Builder extranet website:

- Electrical Systems Integration Guide (HV/MV)
- Electrical Systems HV and MV Sales Data Book (also available on the Product Information CT400 website)

COOLING OBSTRUCTION GUIDELINES

All Models

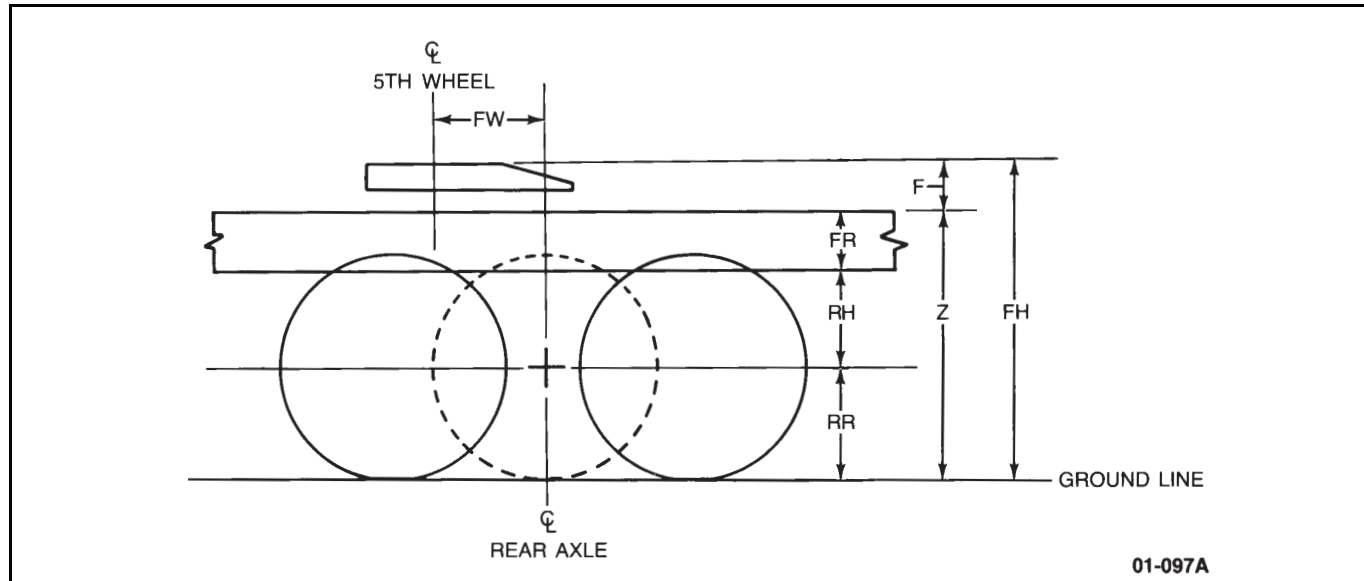


08_0024



FIFTH WHEEL

FIFTH WHEEL HEIGHT CALCULATIONS



10_0001

Calculate the fifth wheel height (measured from the ground) using the following formula:

$$FH = Z + F$$

(for unloaded chassis)

where:

- = Fifth Wheel Height (from ground to top of 5th wheel) - $RR + RH + FR + F$
- = Frame Height (@ centerline off rear axle with an unloaded chassis)
- = Distance from the top of the frame rails to the top of the fifth wheel
- = Frame Rail – Overall Height
- = Ride Height of Rear Suspension
- = Rolling Radius

FIFTH WHEEL MOUNTING INFORMATION

Outlined below are recommended guidelines for installation of fifth wheels on vehicles. The more common combinations of frame, suspension, fifth wheel and fifth wheel offset dimensions are covered in this section. For mounting applications not covered in this section, refer to the fifth wheel manufacturer for installation instructions.

NOTE: It must be recognized that the ultimate responsibility for the durability and security of the fifth wheel mounting lies with the installer/user. Therefore, the installer/user is cautioned to consult the fifth wheel manufacturer's installation recommendations and whatever legal requirements and regulations are applicable.

It is also the responsibility of the installer/user to make sure that the vehicle frame is adequate for the fifth wheel offset location from the centerline of the single rear axle (4 x 2 vehicles) or tandem rear axle (6 x 4 vehicles).

Precautions

As with any after-market modification, care must be taken when installing a fifth wheel. The following precautions must be taken when installing a fifth wheel.

CAUTION: Do not weld or drill the top or bottom flanges of the vehicle frame. Welding or drilling the flanges will severely weaken the frame.

Do not drill frame sidemember(s) other than as specified in "FRAMES - Drilling or Notching".

Fifth wheel attachments must not be welded directly to the sidemember.

Maintenance

The fifth wheel should be properly maintained to ensure proper operation. The following is a general guideline for maintaining the fifth wheel.

1. Always keep the track of sliding fifth wheels as clean as possible. Periodically lubricate all moving parts of fixed and sliding fifth wheels.
2. Inspect fifth wheel for proper operation.
3. Inspect fifth wheel for damaged or missing parts. Replace as required.
4. Be sure all bolts retaining fifth wheel assembly to vehicle frame are properly tightened.

Replacement

REMOVE

1. Remove all bolts retaining fifth wheel to mounting angle.
2. Remove fifth wheel assembly from vehicle frame.

INSTALL

1. Position fifth wheel assembly on mounting angles. Be sure to properly align bolt holes in angle bracket to fifth wheel.
2. Install all retaining bolts and tighten to the specified torque.

Mounting

MOUNTING ANGLES

The use of mounting angles to mount the fifth wheel to the vehicle frame is recommended. Mounting angles provide for more direct transfer of the load to the frame sidemembers for better stress distribution. Some fifth wheels incorporate integral mounting angles as part of the fifth wheel assembly.

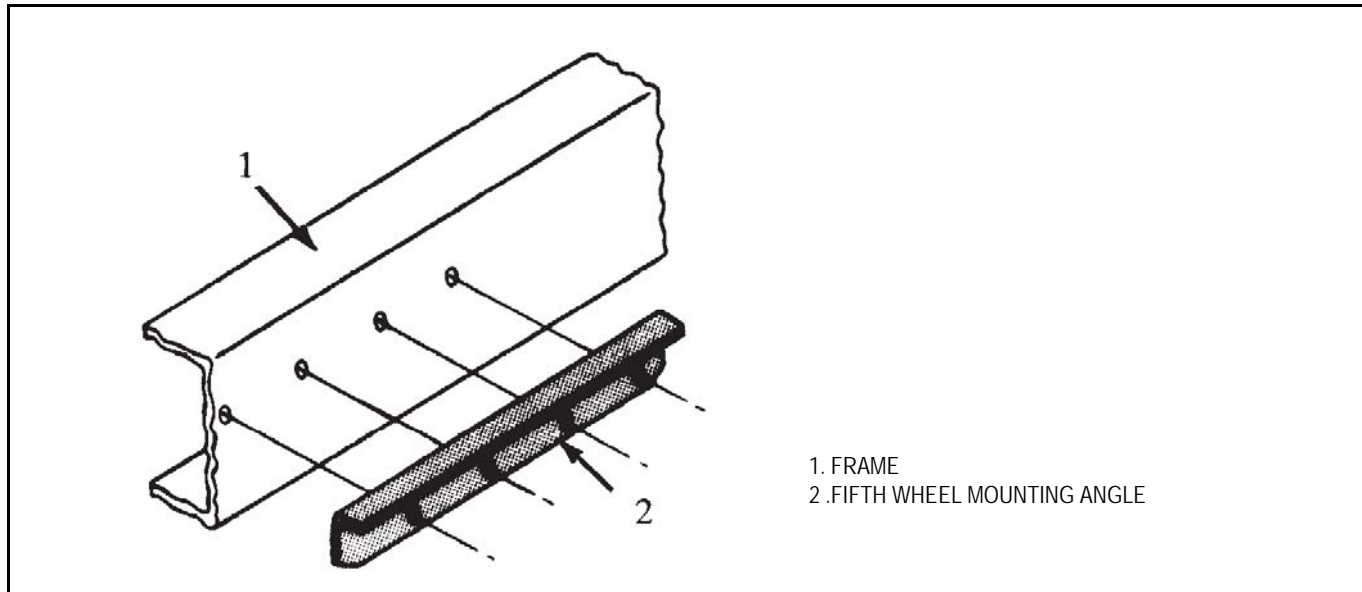


Figure 4.1 Fifth Wheel Mounting Angle

10_0002

Mounting angles must be made of steel conforming to SAE J410, grade 965X, 0.312 inch (8 mm) thick; or ASTM A572, grade 50, 0.38 inch (9.6 mm) thick; or conform to fifth wheel manufacturer's specifications that cover your particular circumstances.

It is permissible to cut mounting angles to provide clearance for spring mounting brackets, etc. Cutouts in the vertical flanges of the mounting angles should be minimized in number and size. Cutouts must be rounded at the inside corners. Inner radii of cutouts should be 0.5 inch (13 mm) minimum; 0.75 inch (19.0 mm) radii are preferred.

To make cutouts in mounting angles, drill holes at radii of cutouts. Then, saw or torch cut to remove remaining material. Cut edges should be ground smooth.

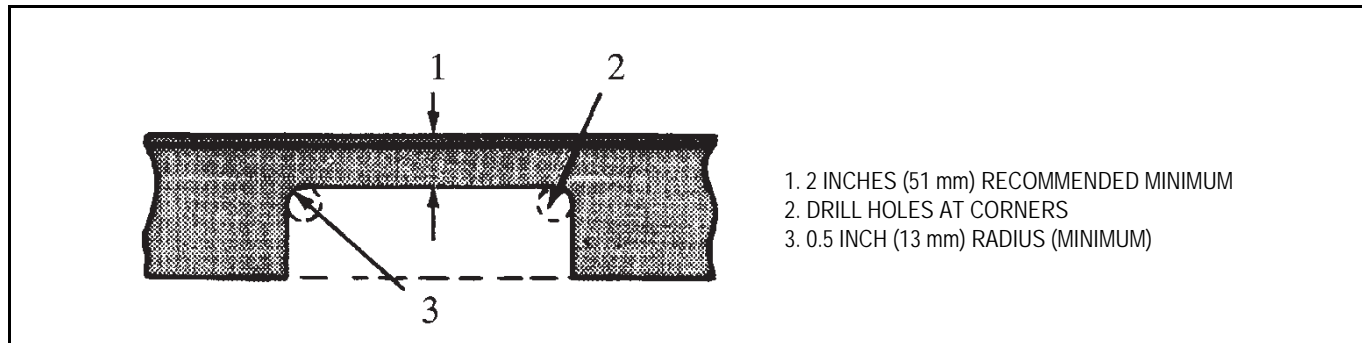


Figure 4.2 Mounting Angle Cutout

10_0003

Some vehicles have spring mounting brackets designed to permit installation of fifth wheel mounting angle between the spring bracket and vehicle frame. Remove factory installed spacers to install mounting angles. Re-tighten bolts as specified in the Torque Chart.

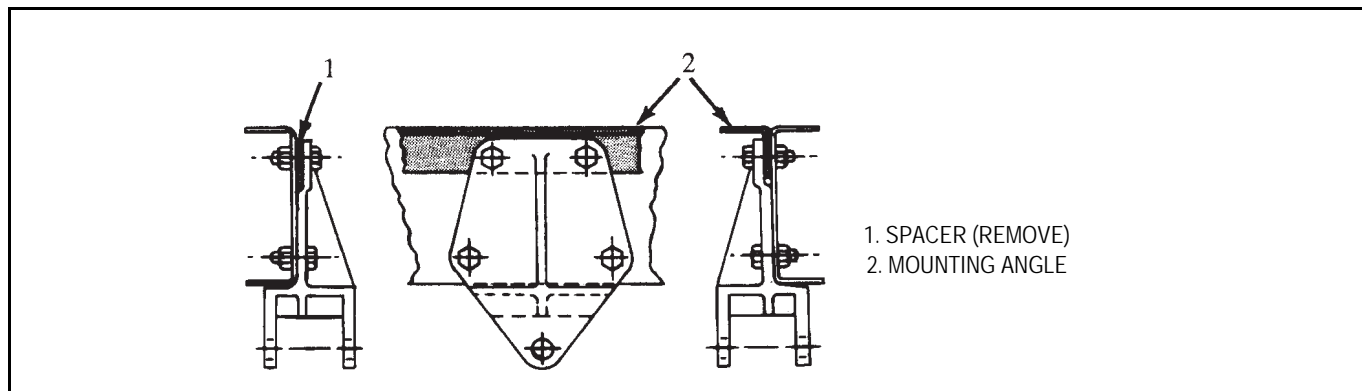


Figure 4.3 Mounting Angle Position

10_0004

Mounting angles should be secured to frame sidemembers using quantity and spacing of bolts as determined by following the guidelines provided in this section.

MOUNTING BOLTS

The use of phosphate and oil coated SAE Grade 8 flanged fasteners is recommended. Where flanged fasteners are not available, the use of hardened steel flat washers under bolt head and nut is recommended.

Where locations of mounting bolts are limited by cutouts, the new bolt pattern should conform as closely as possible to recommendations in terms of number of fasteners, edge distances and spacings.

For horizontal bolt applications (mounting angle-to-frame sidemember), use 5/8-inch (16 mm) diameter bolts. Tighten nuts as specified in the “Bolt Torque Chart (Phosphate and Oil Coated)” (Table 4.1).

For vertical bolt applications (fifth wheel-to-mounting angle, fifth wheel-to-support plate, fifth wheel-to-cross tie, cross tie-to-mounting angle), use 3/4-inch (19 mm) diameter bolts. These bolts must be flanged head or hex head with hardened flat washers. Tighten nuts as specified in “Bolt Torque Chart (Phosphate and Oil Coated)” (Table 4.1).

NOTE: Some sliding and fixed fifth wheels are designed to use 5/8-inch (16 mm) diameter vertical bolts. These are acceptable where specified by design.

Care must be taken to prevent fretting (chafing) damage to frame top flange by sharp edges on fifth wheel mounting parts. Figure 4.4 illustrates methods of preventing fretting (chafing) damage at leading and trailing edges. These methods include:

1. Chamfering the edges of fifth wheel mounting parts contacting frame top flange.
2. Use of a “flex-lip” to gradually diminish contact forces.

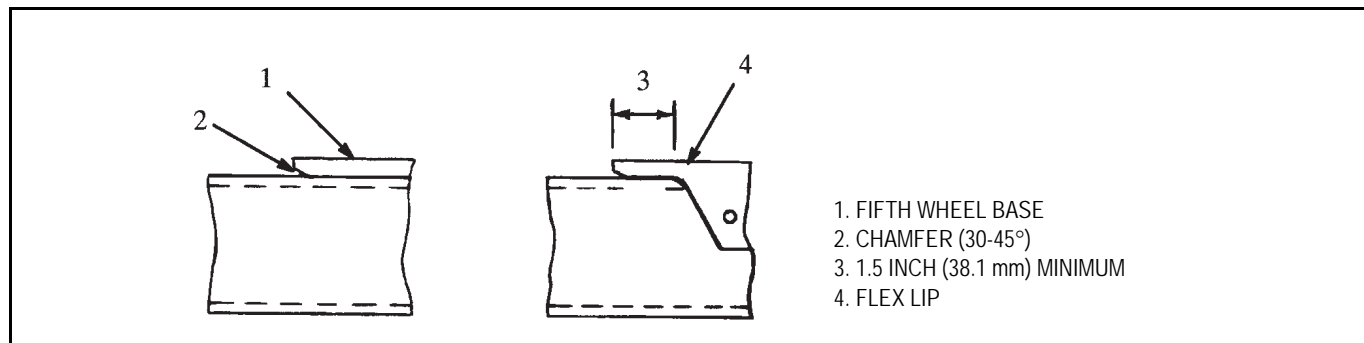


Figure 4.4 Methods of Preventing Fretting Damage

10_0005

Fifth wheel and mounting parts should be positioned on the vehicle frame to provide maximum contact between the parts which transfer the vertical load onto the upper flange of the frame. Clamp to assure contact before tightening bolts.

FIFTH WHEEL MOUNTING INFORMATION

Fixed (Non-Sliding) Fifth Wheels

Typical installations of fixed (non-sliding) fifth wheels are illustrated in Figure 4.5, Figure 4.6, Figure 4.7, Figure 4.8, Figure 4.9, and Figure 4.10.

Mounting angles should be secured to frame sidemembers with a minimum of five bolts per side with bolt spacing as shown in Figure 4.5.

Recommended fixed fifth wheel mounting dimension limits are shown in Figure 4.5. These limits are as follows:

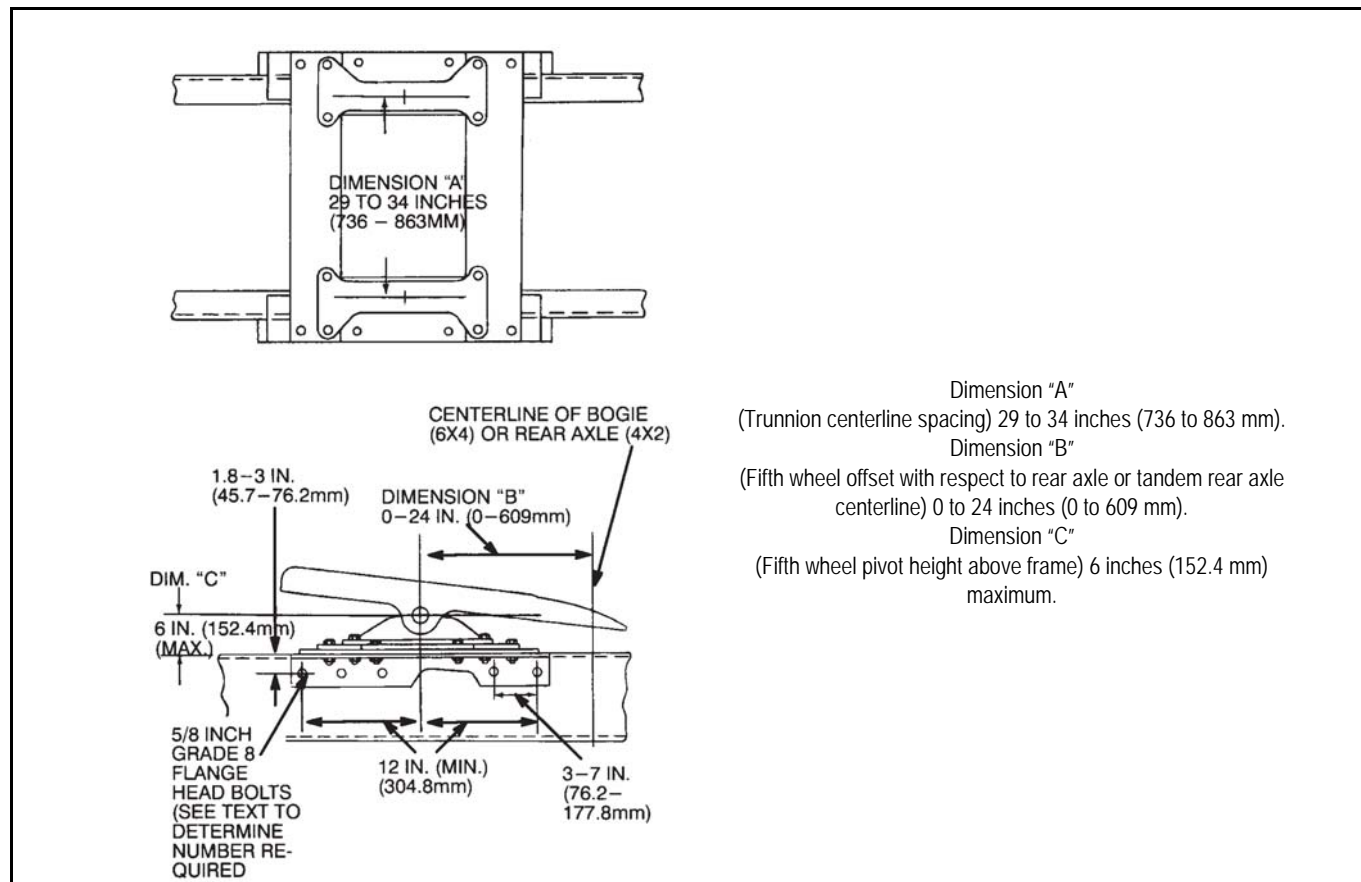


Figure 4.5 Fixed Fifth Wheel Mounting Dimension Limits (Typical)

10_0006

Fixed (Non-Sliding) Fifth Wheels (Continued)

Be sure to refer to the segments in this section for mounting angle and cutout information, bolt sizes and torque specifications and corrosion protection on aluminum frames.

Failure to follow the recommended procedures in this section may result in damage to the vehicle frame and possible injury to the operator.

For vehicle frame assemblies without bogie gussets or “C” channel frame reinforcements, install a set of flat cross ties as shown in Figure 4.6 and Figure 4.7.

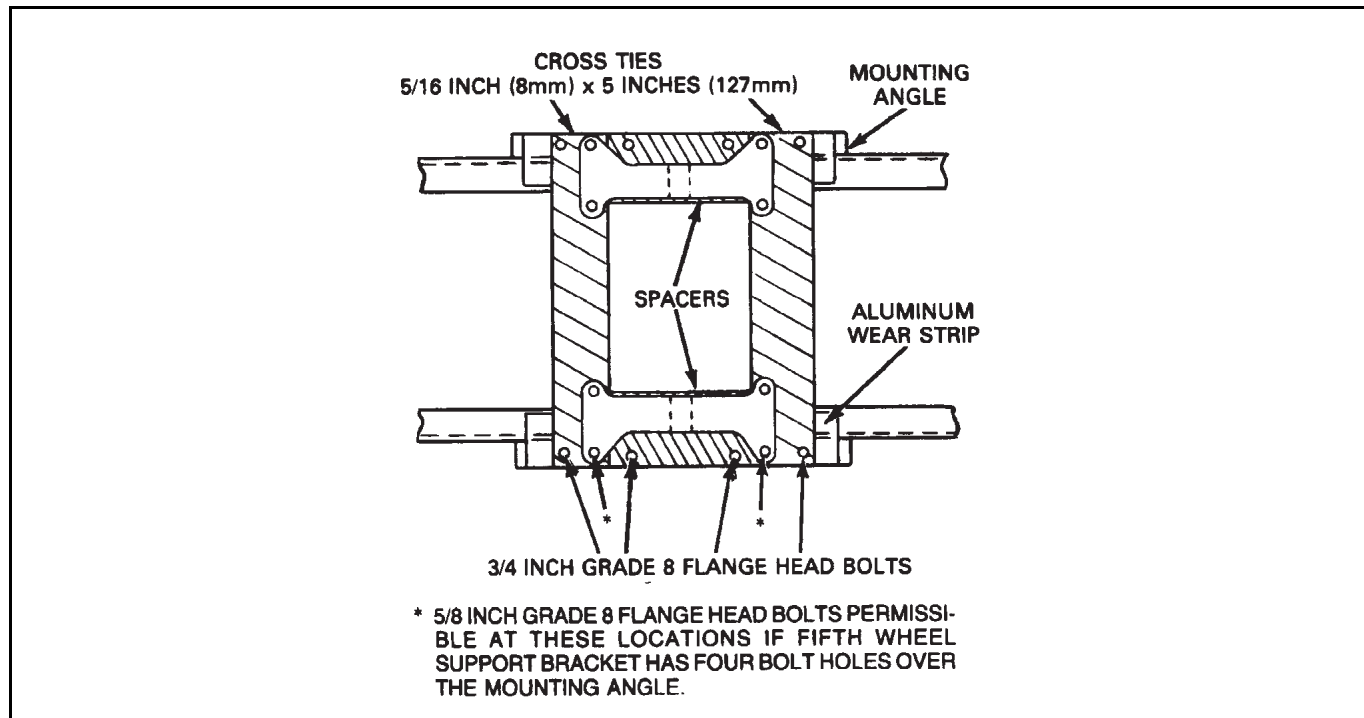


Figure 4.6 Cross Tie Installation (Typical)

10_0007

Fixed (Non-Sliding) Fifth Wheels (Continued)

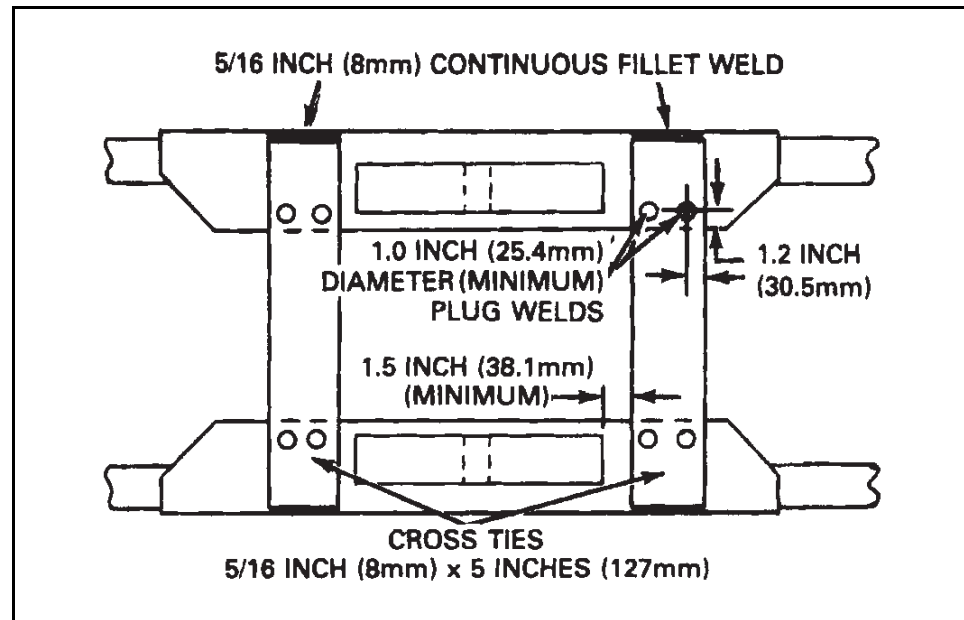


Figure 4.7 Cross Tie Welding (Typical)

10_0008

For bolted base type fifth wheels, bolt the cross ties and spacers as shown in Figure 4.6. For fifth wheels with integral mounting angle, weld the cross ties as shown in Figure 4.7.

Cross ties should be a minimum of 0.31 inch (8.0 mm) thick x 5 inches (127 mm) wide. Recommended material is 0.31 inch (8.0 mm) thick HSLA 80,000 PSI yield material (SAE 980X).

For bolted base type fifth wheels, a single flat plate or a corrugated plate can be used instead of cross ties. The flat plate should have the bolt pattern shown in Figure 4.8 (top view). The corrugated plate should be installed as shown in Figure 4.8.

For vehicle frame assemblies which have bogie gussets (such as a typical Hendrickson suspension) many fifth wheel installations may be made without cross ties as shown in Figure 4.9 and Figure 4.10. Cross ties may be required in some cases, as indicated.

Fixed (Non-Sliding) Fifth Wheels (Continued)

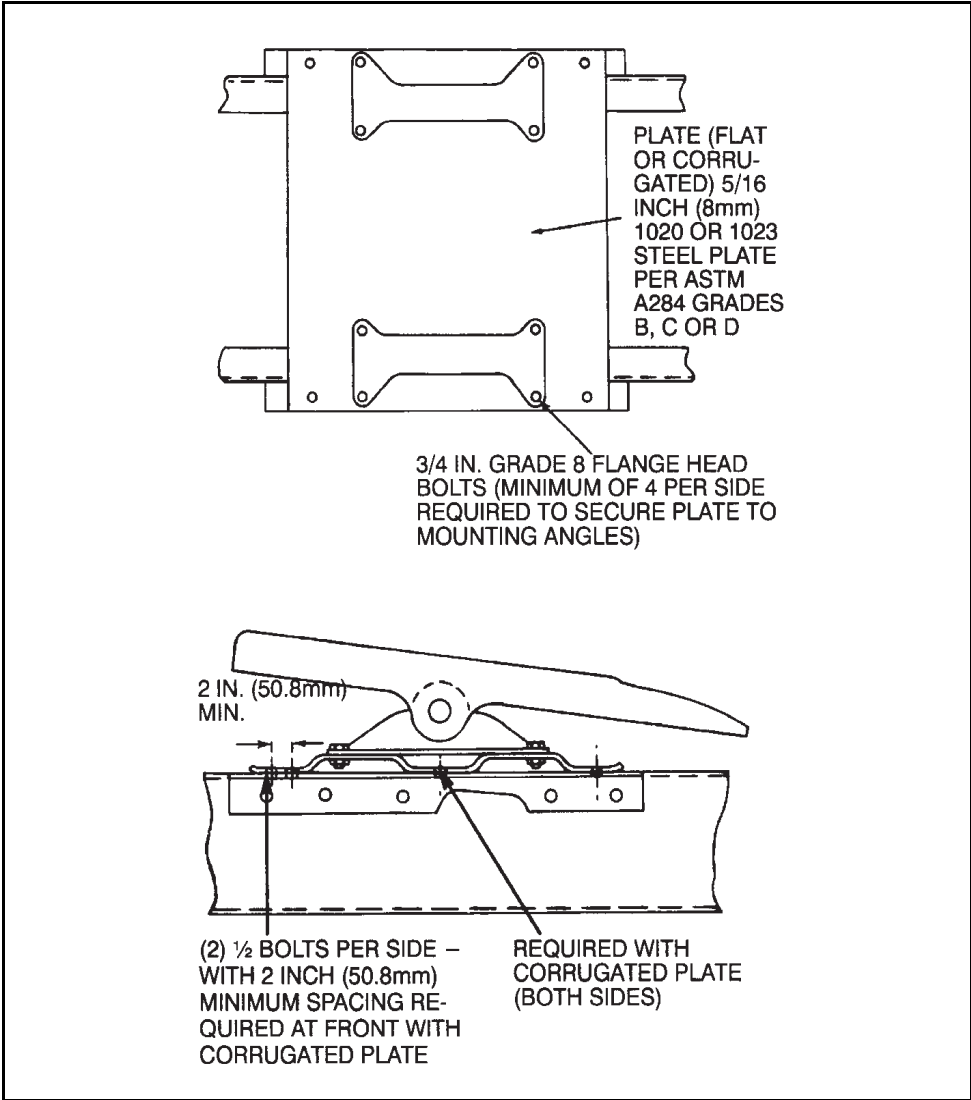


Figure 4.8 Plate Installation (Typical)

10_0009

Fixed (Non-Sliding) Fifth Wheels (Continued)

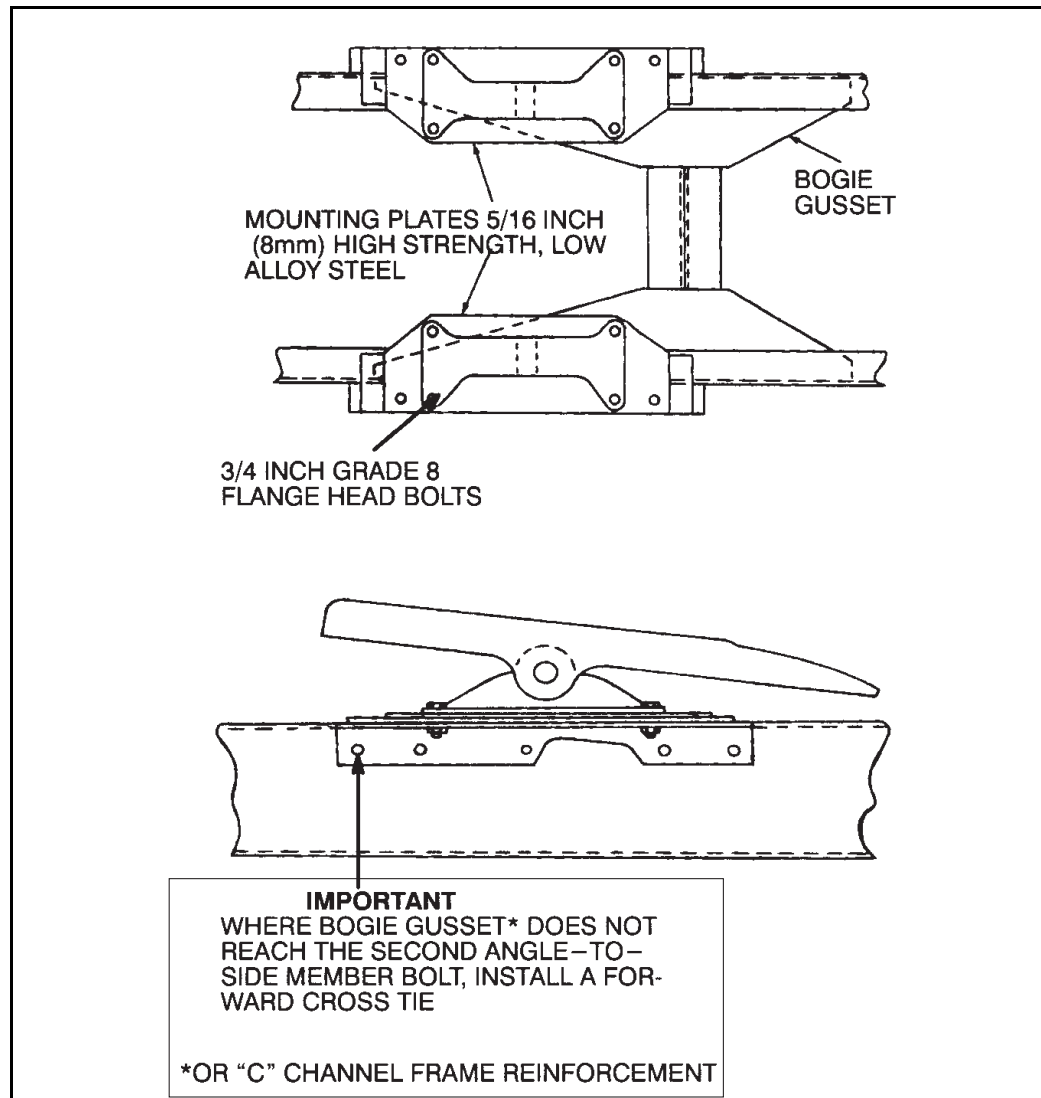


Figure 4.9 Fifth Wheel Installation Without Cross Ties (Typical)

Fixed (Non-Sliding) Fifth Wheels (Continued)

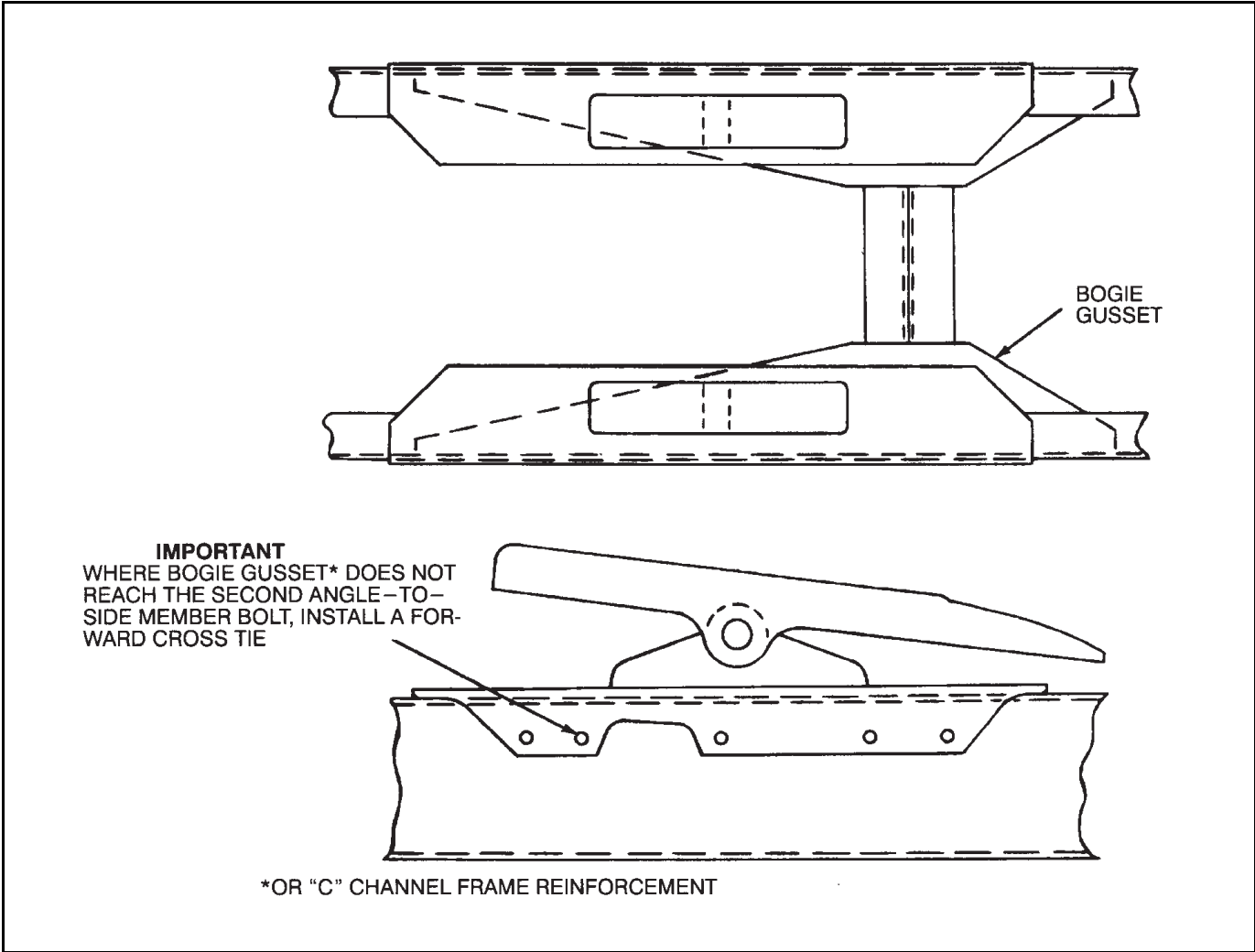


Figure 4.10 Fifth Wheel Installation Without Cross Ties (Typical)

10_0011

Sliding Fifth Wheels

These guidelines apply to sliding fifth wheel assemblies where the rails or tracks are tied together on a mounting plate or with cross ties.

A typical installation of a sliding fifth wheel is illustrated in Figure 4.11.

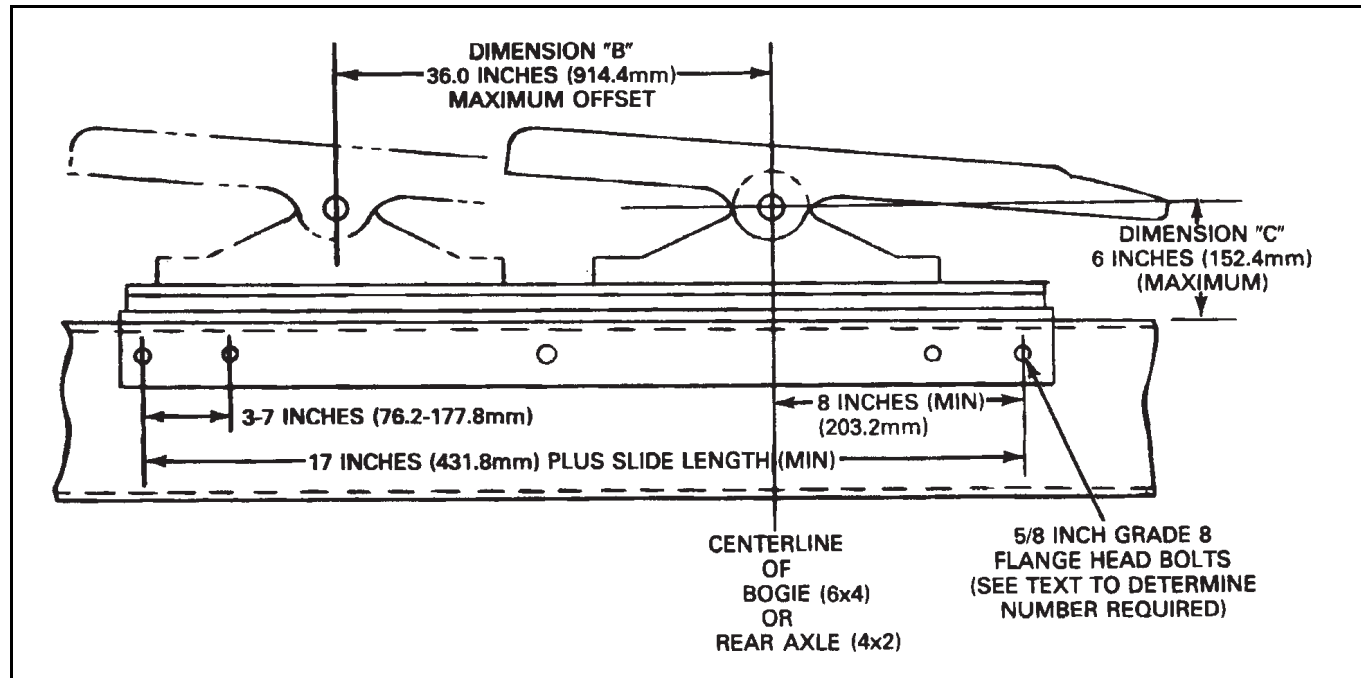


Figure 4.11 Sliding Fifth Wheel Installation (Typical)

10_0012

Mounting angles should be secured to frame sidemembers with bolts, the minimum number of which are to be determined by dividing the distance between the front and rear bolt holes, as shown in Figure 4.11, by 7.0 inches (177.8 mm) and adding 1.

Recommended sliding fifth wheel mounting dimension limits are as follows:

Dimension "B" (Fifth wheel offset with respect to bogie centerline) 0 to 36 inches (0 to 914 mm) maximum.

Dimension "C" (Fifth wheel pivot height above frame) 6.0 inches (152.4 mm) maximum.

Sliding fifth wheels, because of their length and construction techniques, are prone to warping and misalignment. This along with vehicle frame variations makes it necessary to check and correct for proper fit where needed.

Torque

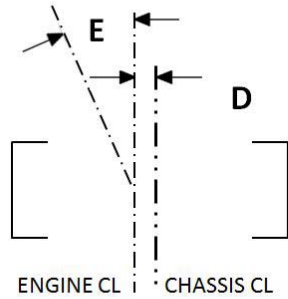
Table 4.1
Bolt Torque Chart (Phosphate and Oil Coated)

Bolt Size (Type 8)	Specified Torque			
	Flange Head		Hex Head	
	Ft-Lb.	N-m	Ft-Lb.	N-m
5/8	200-240	271-325	145-175	197-237
3/4	300-370	406-502	250-300	339-406

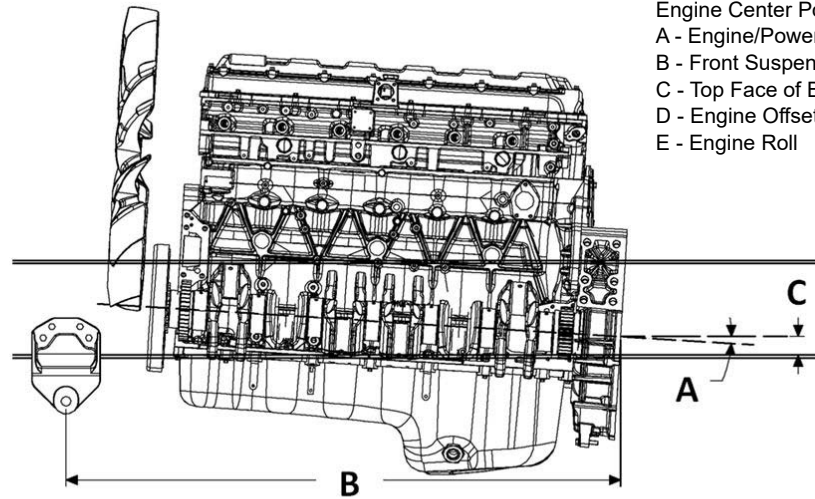


ENGINE

ENGINE LOCATION



FRONT VIEW

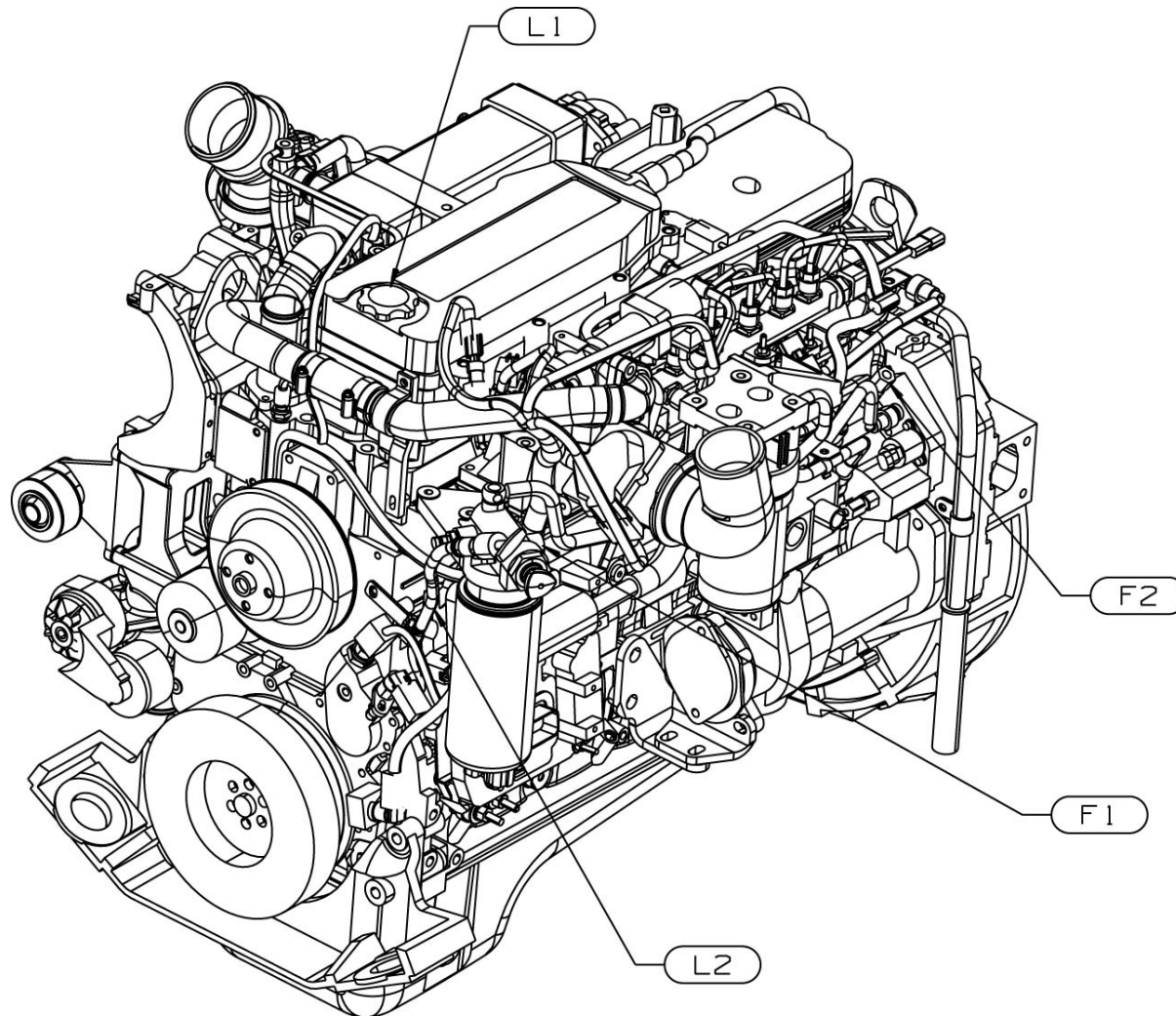


SIDE VIEW

- Engine Center Point (ECP) = Center Point of Flywheel Housing
- A - Engine/Power Angle
- B - Front Suspension Eye to ECP
- C - Top Face of Bottom Flange to ECP
- D - Engine Offset to Chassis CL
- E - Engine Roll

12_0024

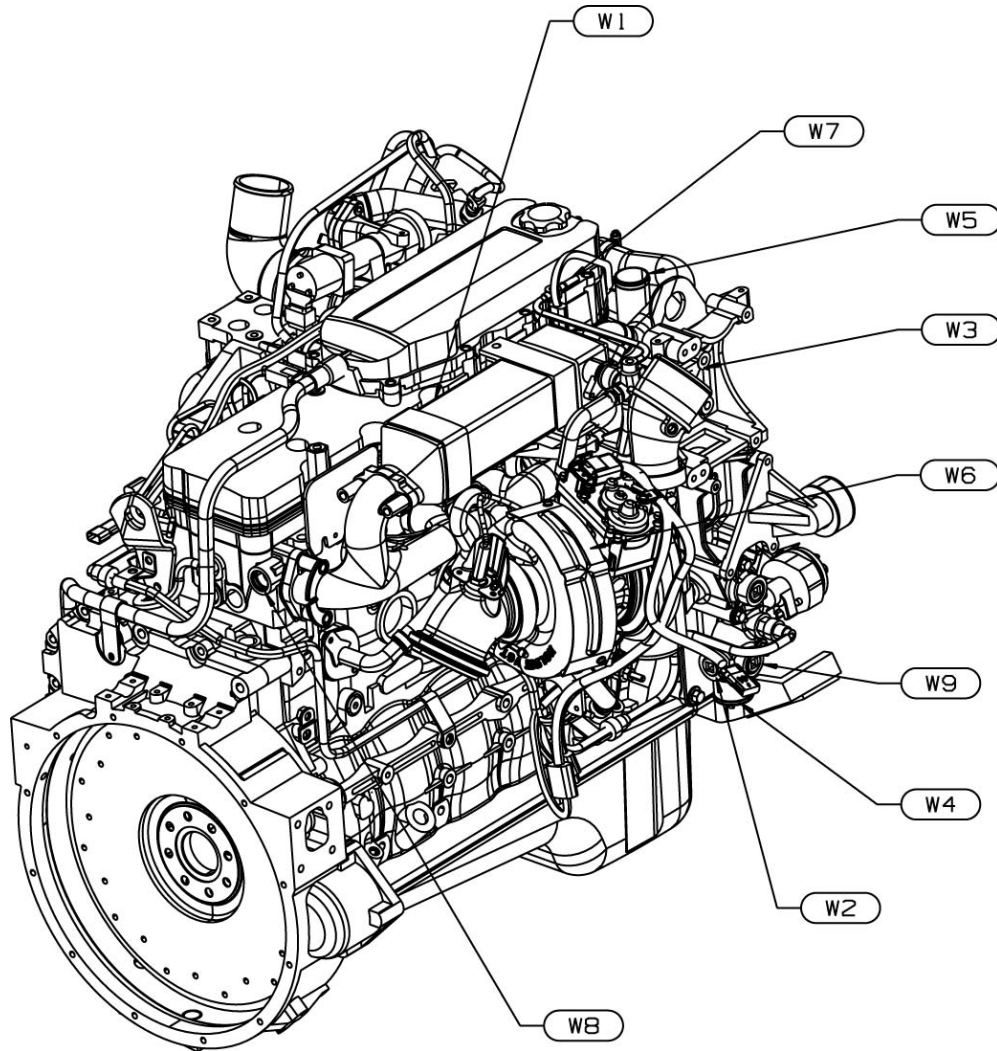
Model	Engine	A	B	C	D	E
MV607, MV60H	Cummins® B6.7	4.67°	47.40" (1204 mm)	1.27" (32.3 mm)	0°	0°
	Cummins® L9	3.50°	49.02" (1245 mm)	2.20" (56.0 mm)	0°	0°

*ENGINE PORT LOCATION**Cummins B6.7 Engine (Left Front)*

Type	NPTF	Usage
Fuel		
F1	—	Fuel Inlet
F2	—	Fuel Return
Oil		
L1	—	Oil Fill
L2	—	Dipstick

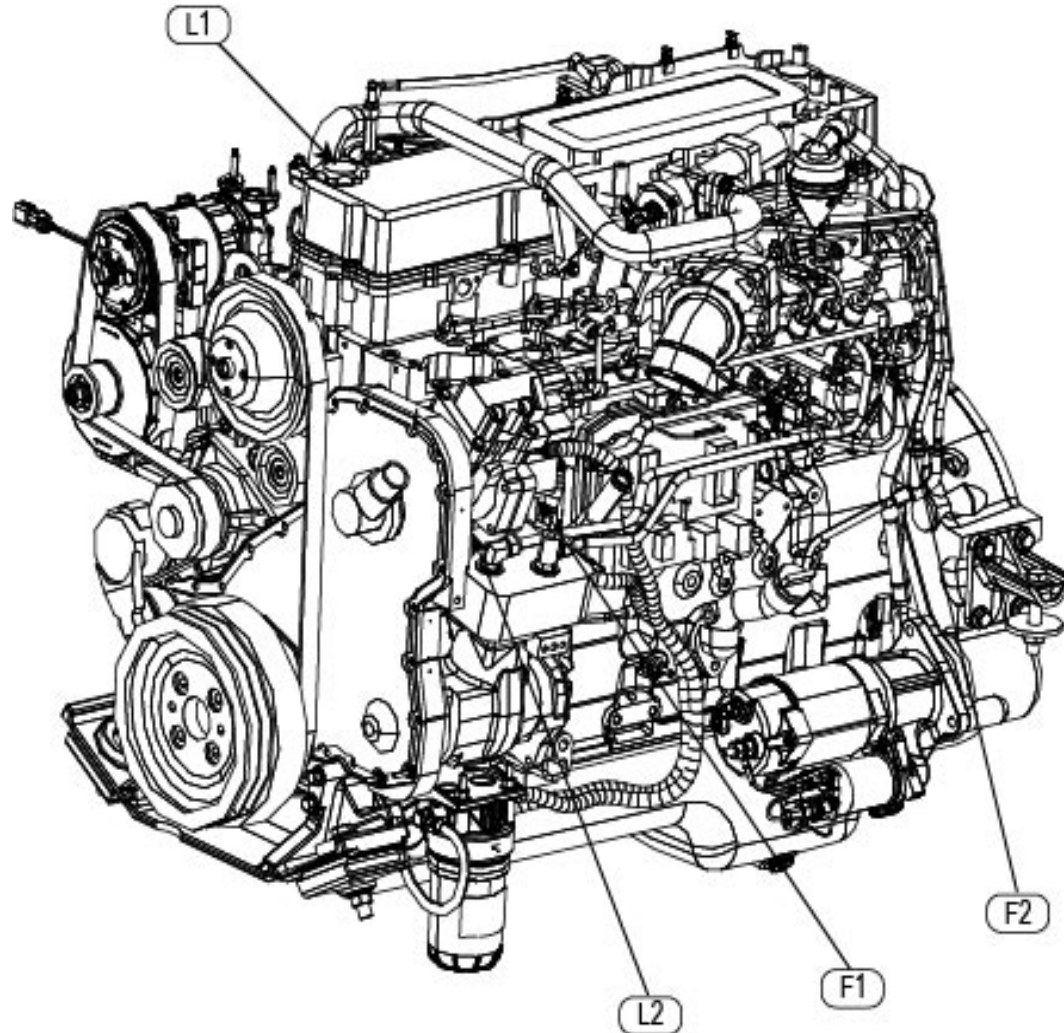
ENGINE PORT LOCATION

Cummins B6.7 Engine (Right Rear)



Type	Usage
Water	
W1	Heater Supply
W2	Heater Return
W3	Engine Vent
W4	Coolant Inlet
W5	Coolant Outlet
W6	Block Heater
W7	Surge Line
W8	DEF Coolant Supply
W9	DEF Coolant Return

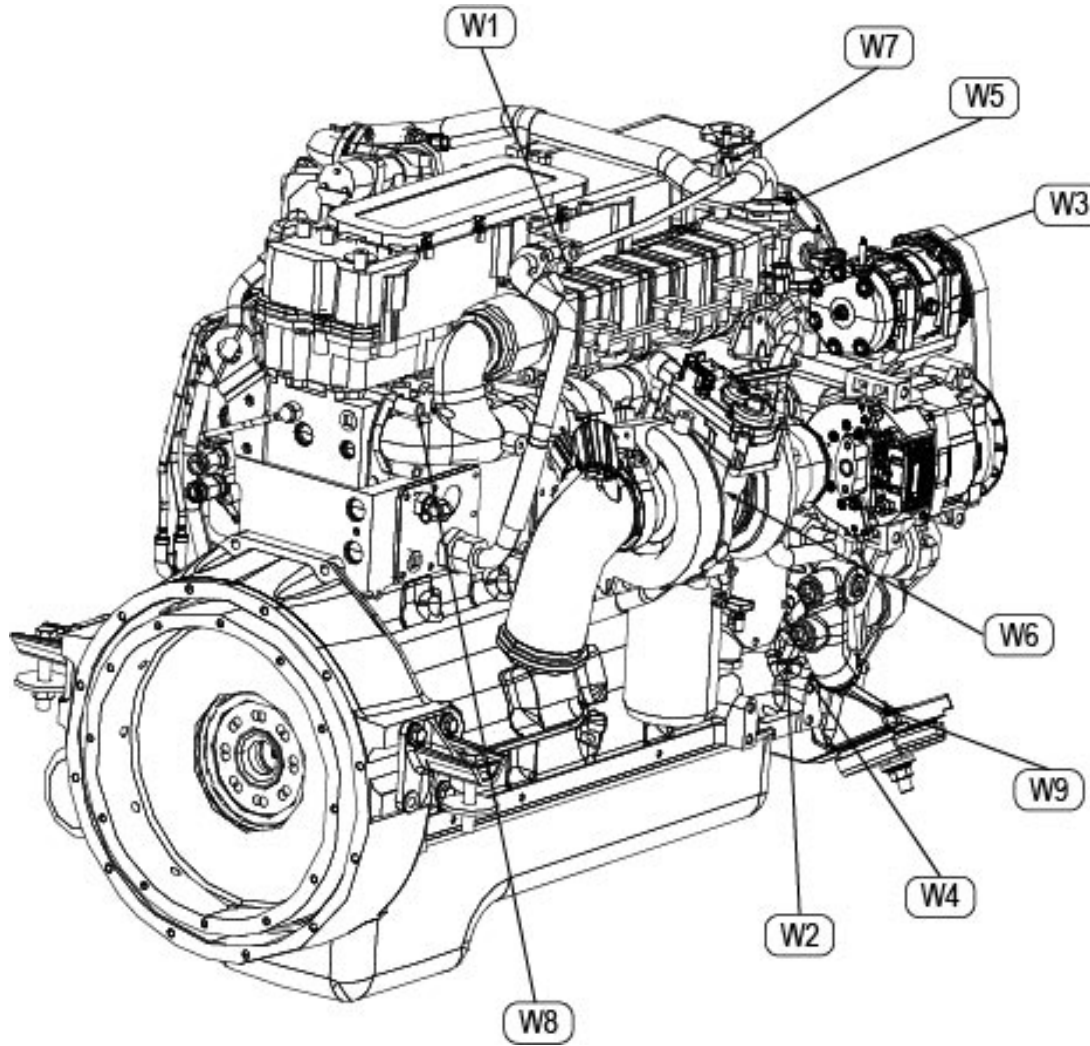
Cummins_B6.7_Right_Rear

*ENGINE PORT LOCATION**Cummins L9 Engine (Left Front)*

Type	NPTF	Usage
Fuel		
F1	—	Fuel Inlet
F2	—	Fuel Return
Oil		
L1	—	Oil Fill
L2	—	Dipstick

ENGINE PORT LOCATION

Cummins L9 Engine (Right Rear)



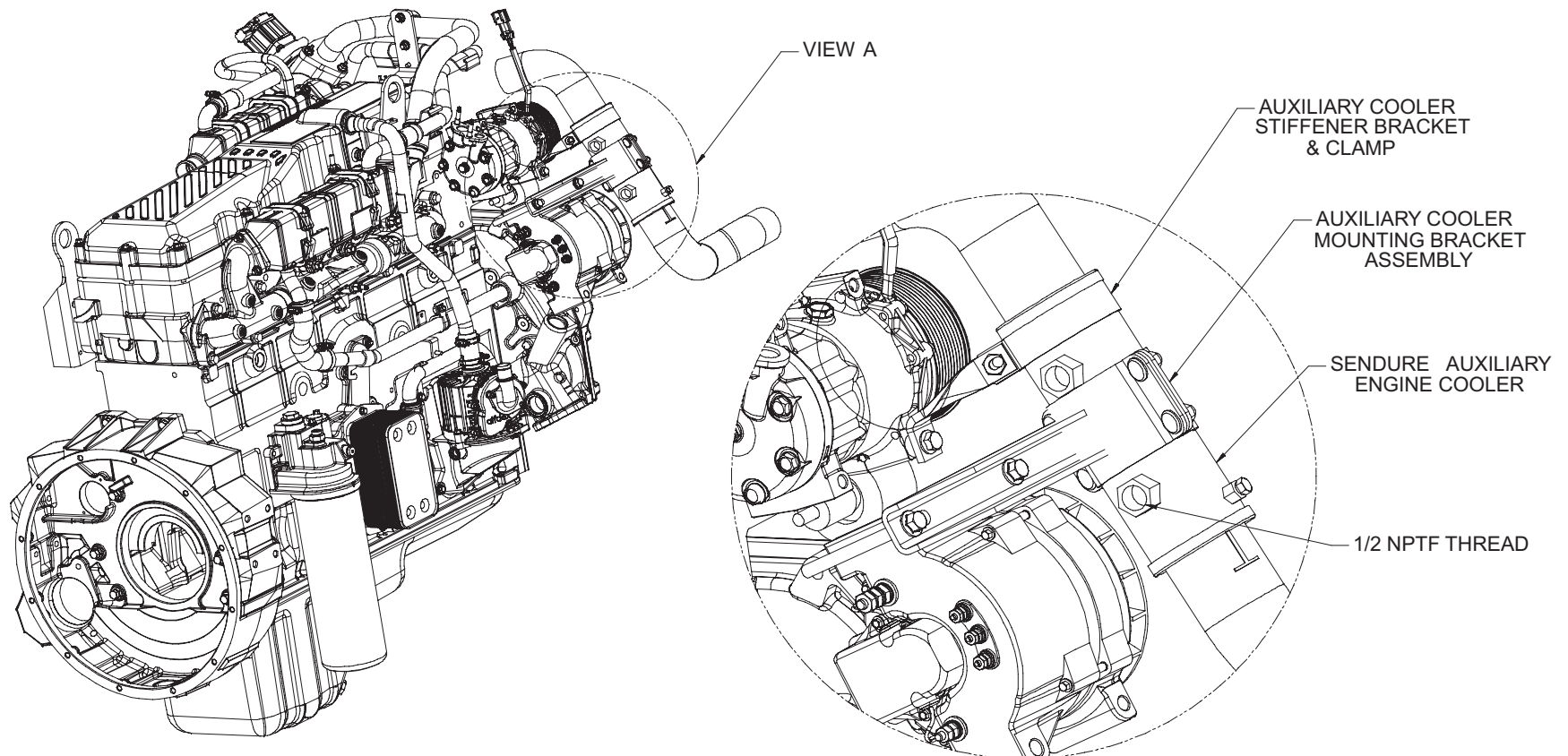
Type	Usage
Water	
W1	Heater Supply
W2	Heater Return
W3	Engine Vent
W4	Coolant Inlet
W5	Coolant Outlet
W6	Block Heater
W7	Surge Line
W8	DEF Coolant Supply
W9	DEF Coolant Return

L9_MV_engine_rear

WATER COOLER MOUNTING

All Models

Codes 12WYK and 12WZG



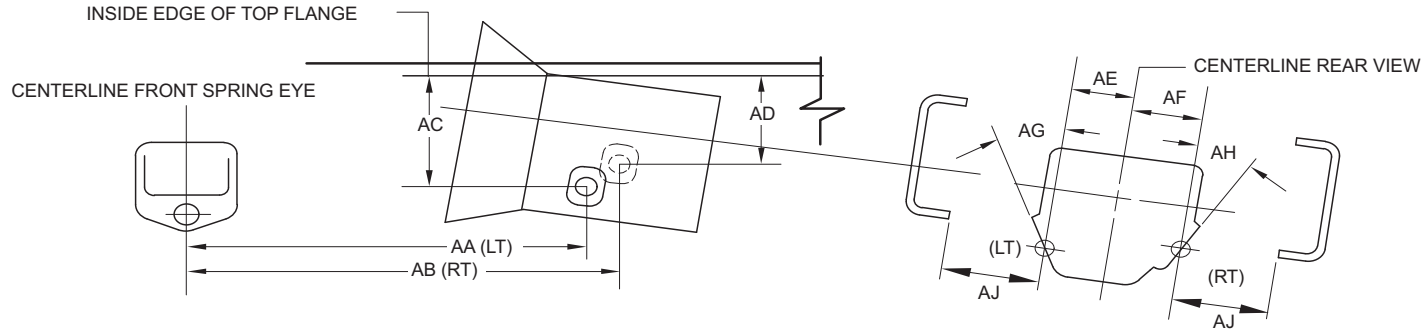
VIEW A
SCALE 1:2

TRANSMISSION

PENDING

TRANSMISSION PTO DATA

NOTE: Do not reuse PTO cover plate gaskets



13-0004

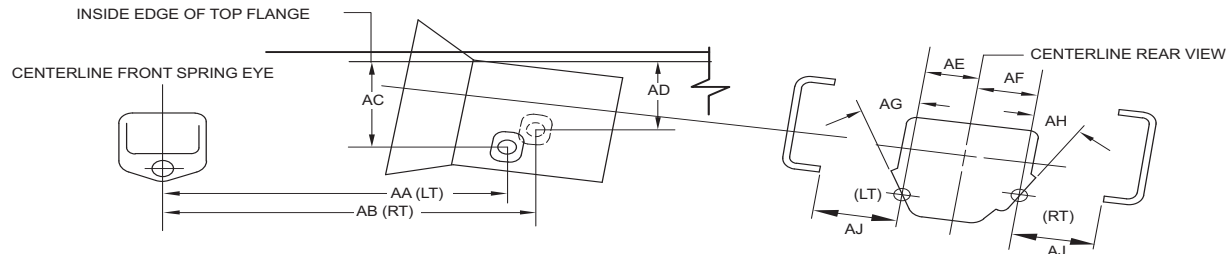
Transmission	Engine	Clearance Provided for SAE Envelope		Left PTO Location				Right PTO Location				
		Left PTO	Right PTO	AA	AC	AE	AG	AB	AD	AF	AH	AJ
13APZ – Allison 5-Speed Automatic, 1000_HS 13ARC – Allison 5-Speed Automatic, 1000_RDS On/Off Hwy 13ARD – Allison 5-Speed Automatic, 1000_EVS 13AVU – Allison 5-Speed Automatic, 1000_HS	Cummins® B6.7	A	A	N/A	N/A	N/A	N/A	1569.9	205.17	144.0	0°	211.6
13ASP – Allison 5-Speed Automatic, 2500_RDS (On/Off Highway) 13ASY – Allison 5-Speed Automatic, 2500_EVS_P 13ATB – Allison 5-Speed Automatic, 2200_RDS_P 13ATJ – Allison 5-Speed Automatic, 2550_RDS	Cummins® B6.7	A	A	N/A	N/A	N/A	N/A	1569.9	205.17	144.0	0°	211.6

A = SAE Type 1 (6-Bolt) B = SAE Type 2 (8-Bolt) C = Not Qualified

TRANSMISSION PTO DATA (CONTINUED)

All Models

NOTE: Do not reuse PTO cover plate gaskets



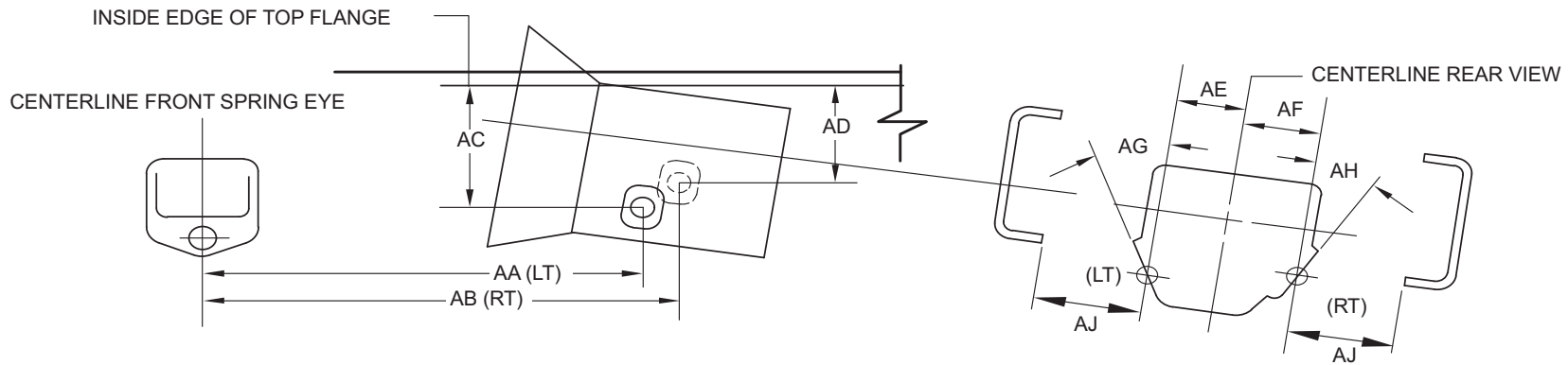
13-0004

Transmission	Engine	Clearance Provided for SAE Envelope		Left PTO Location				Right PTO Location				
		Left PTO	Right PTO	AA	AC	AE	AG	AB	AD	AF	AH	AJ
13ATN – Allison 6-Speed Automatic, 3500_EVS_P 13AUK – Allison 6-Speed Automatic, 3000_EVS_P 13AUL – Allison 6-Speed Automatic, 3000_EVS_P 13AUM – Allison 6-Speed Automatic, 3500_EVS_P 13AVG – Allison 6-Speed Automatic, 3500_RDS_P (On/Off Highway) 13AVH – Allison 6-Speed Automatic, 3500_RDS_P (Refuse/Mixer) 13AVJ – Allison 6-Speed Automatic, 3000_RDS_P (On/Off Highway) 13AVK – Allison 6-Speed Automatic, 3000_RDS_P 13AVL – Allison 6-Speed Automatic, 3500_RDS_P (On/Off Highway) 13AVP – Allison 6-Speed Automatic, 3500_RDS_P (Refuse/Mixer) 13AVR – Allison 6-Speed Automatic, 3000_RDS_P (On/Off Highway) 13AVS – Allison 6-Speed Automatic, 3000_RDS_P (Refuse)	Cummins® B6.7	C	N/A	1100	233	140.5	8°	N/A	N/A	N/A	N/A	N/A

TRANSMISSION PTO DATA (CONTINUED)

All Models

NOTE: Do not reuse PTO cover plate gaskets



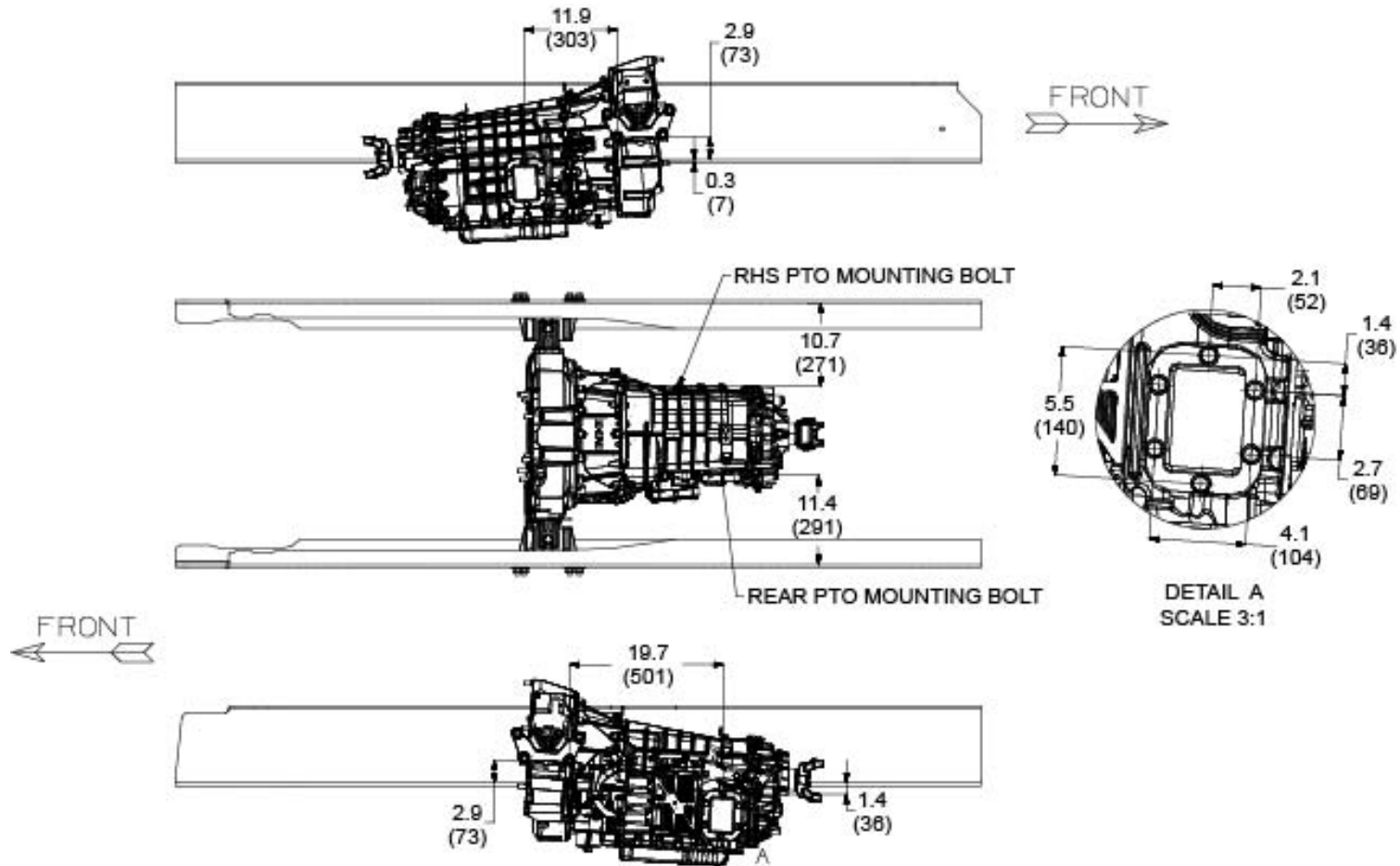
13-0004

Transmission	Engine	Clearance Provided for SAE Envelope		Left PTO Location				Right PTO Location				
		Left PTO	Right PTO	AA	AC	AE	AG	AB	AD	AF	AH	AJ
13GMS – Fuller 6-Speed Manual, FS_6406N 13GNG – Fuller 6-Speed Manual, FS_5406N	Cummins® B6.7	A	A	1331	384.4	102.5	20.3°	1331	384.6	102.9	20.3°	253.5

PTO LOCATION

All Models

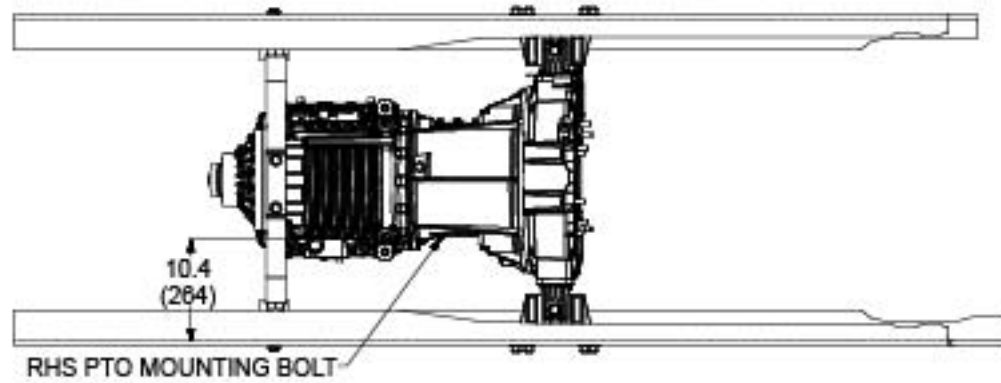
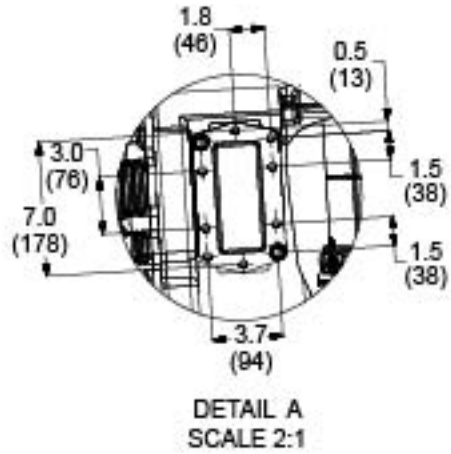
Dual, Right Side and Rear of Transmission (13XAJ)



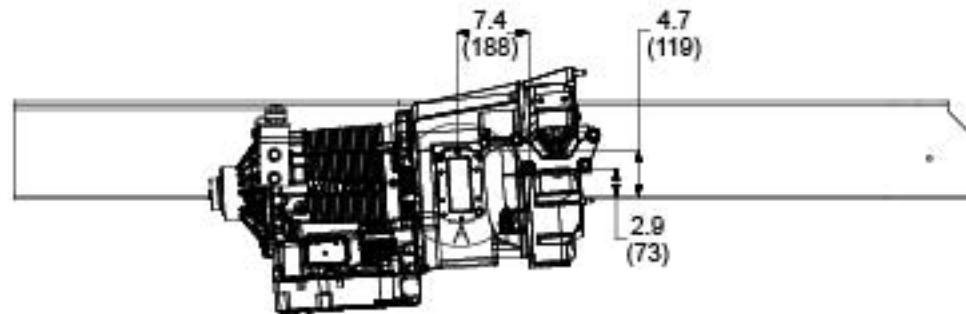
PTO LOCATION

All Models

Right Side of Transmission (13XAK)



FRONT
→

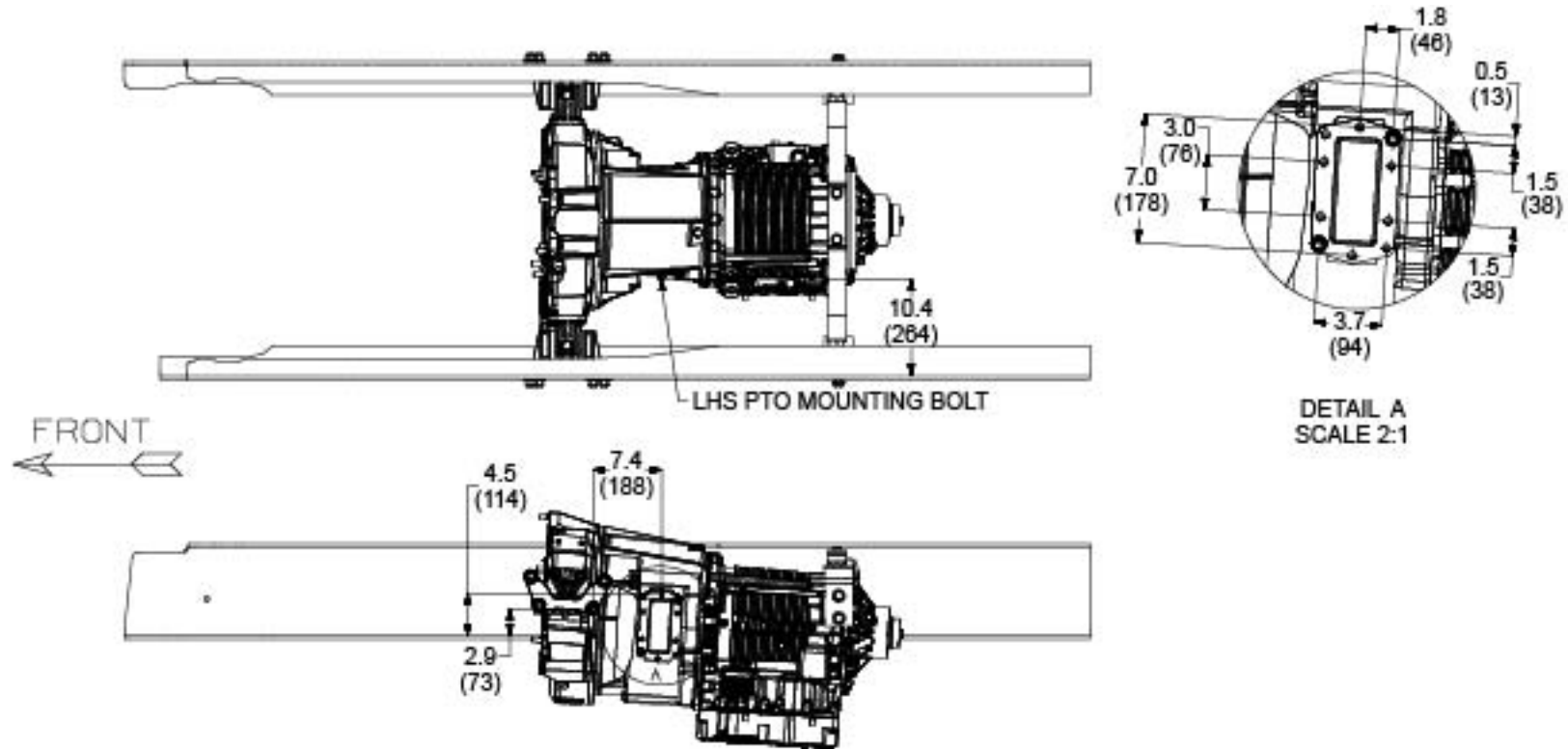


13xak_pto_location

PTO LOCATION

All Models

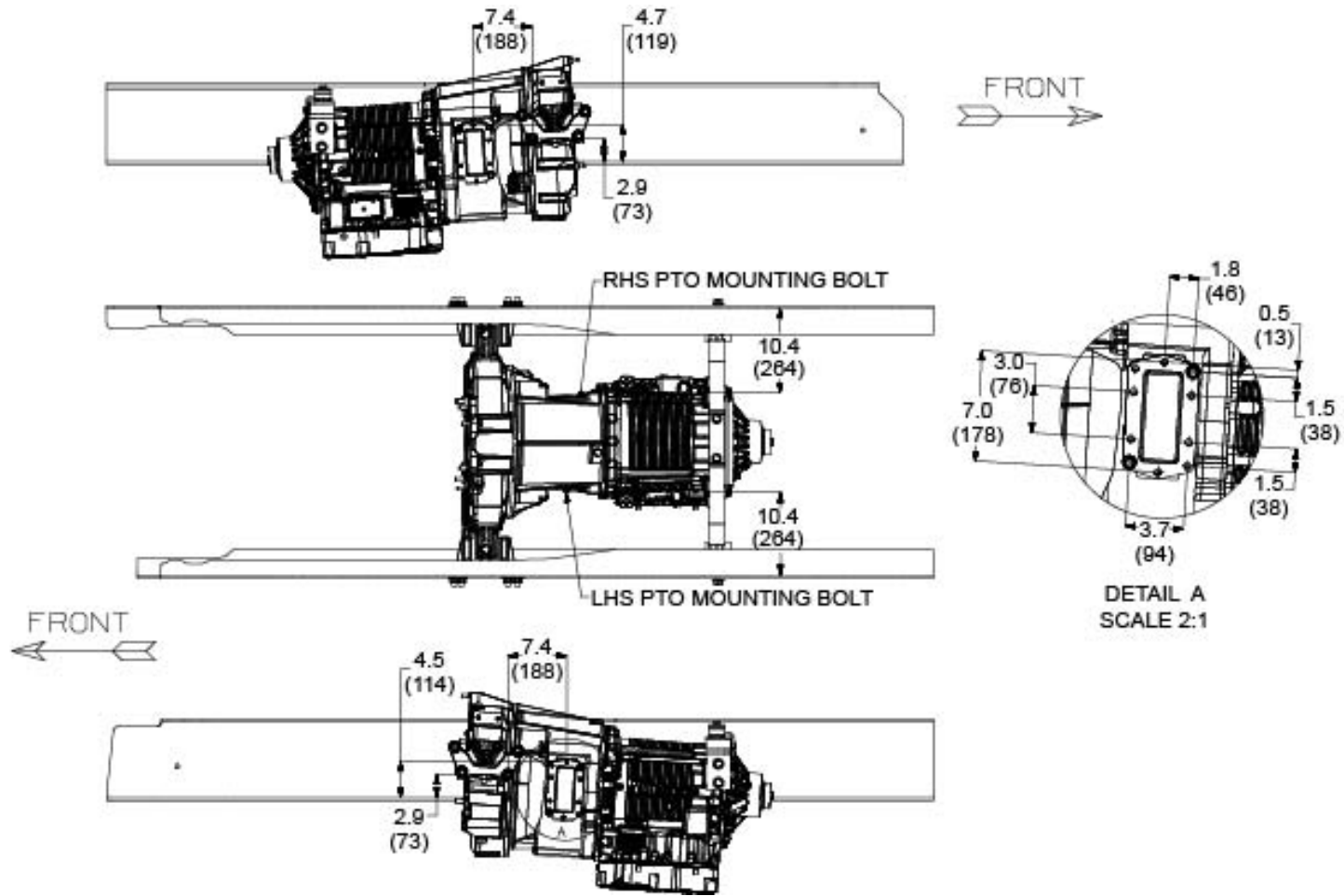
Left Side of Transmission (13XAL)



PTO LOCATION

All Models

Dual, Left and Right Side of Transmission (13XAM)

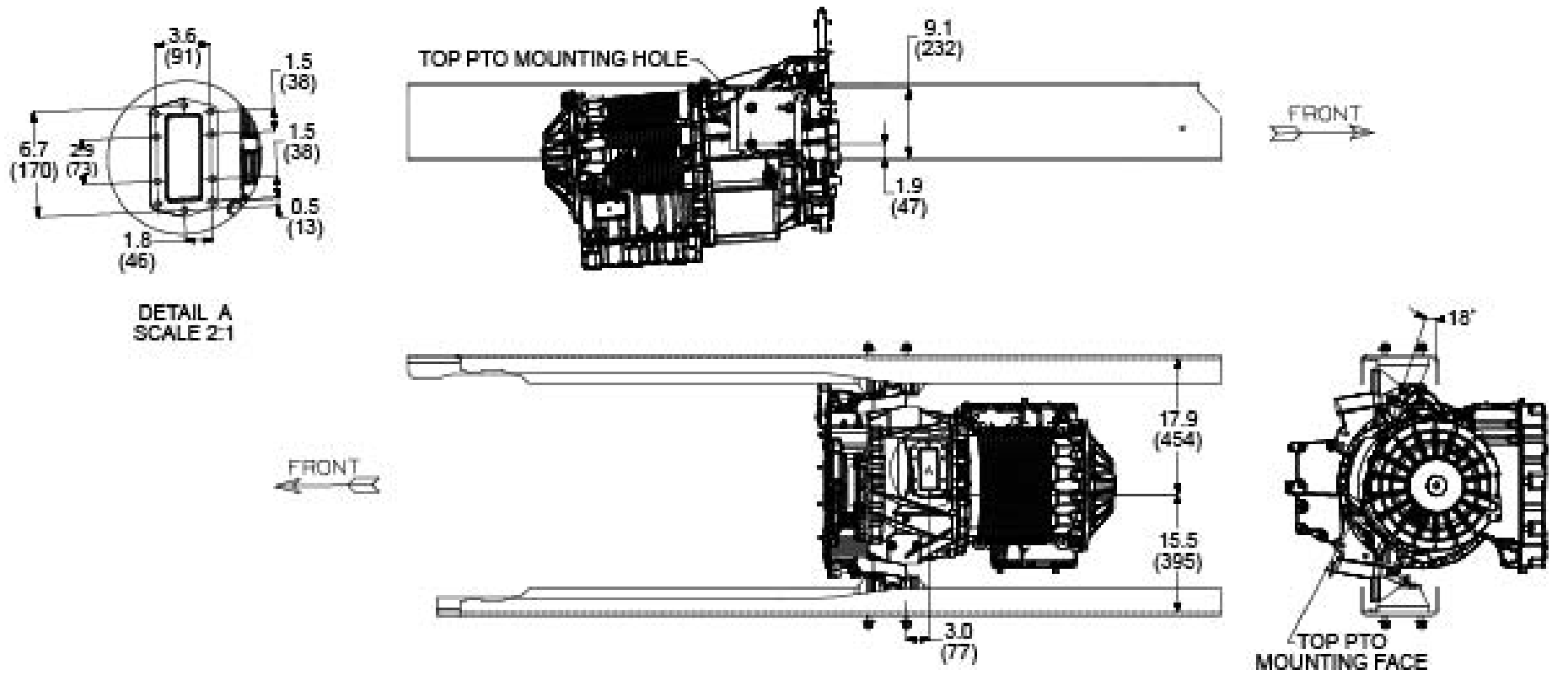


13xam_pto_location

PTO LOCATION

All Models

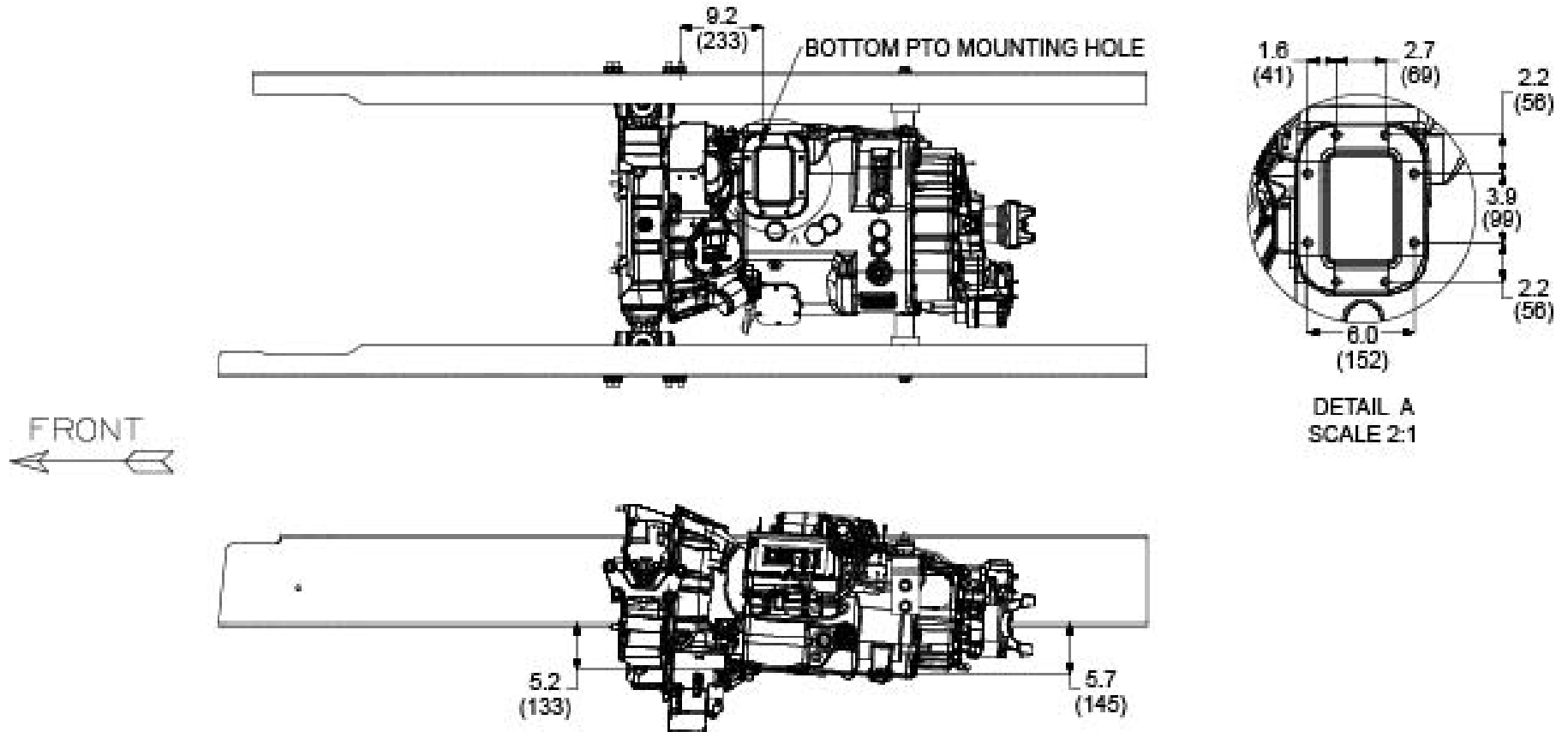
Top of Transmission (13XAP)



PTO LOCATION

All Models

Bottom of Transmission (13XAR)



13xar_pto_location

PTO LOCATION

All Models

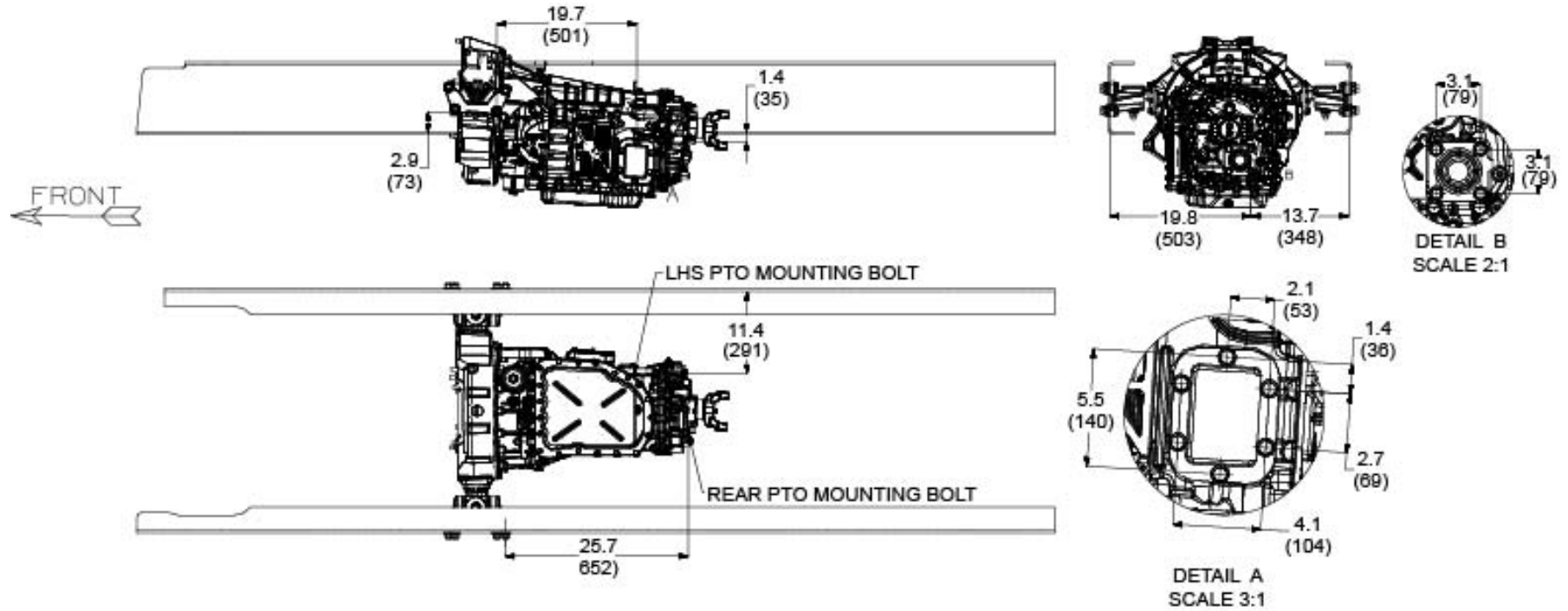
Rear of Transmission (13XAS)

PENDING

PTO LOCATION

All Models

Dual, Left Side and Rear of Transmission (13XAU)

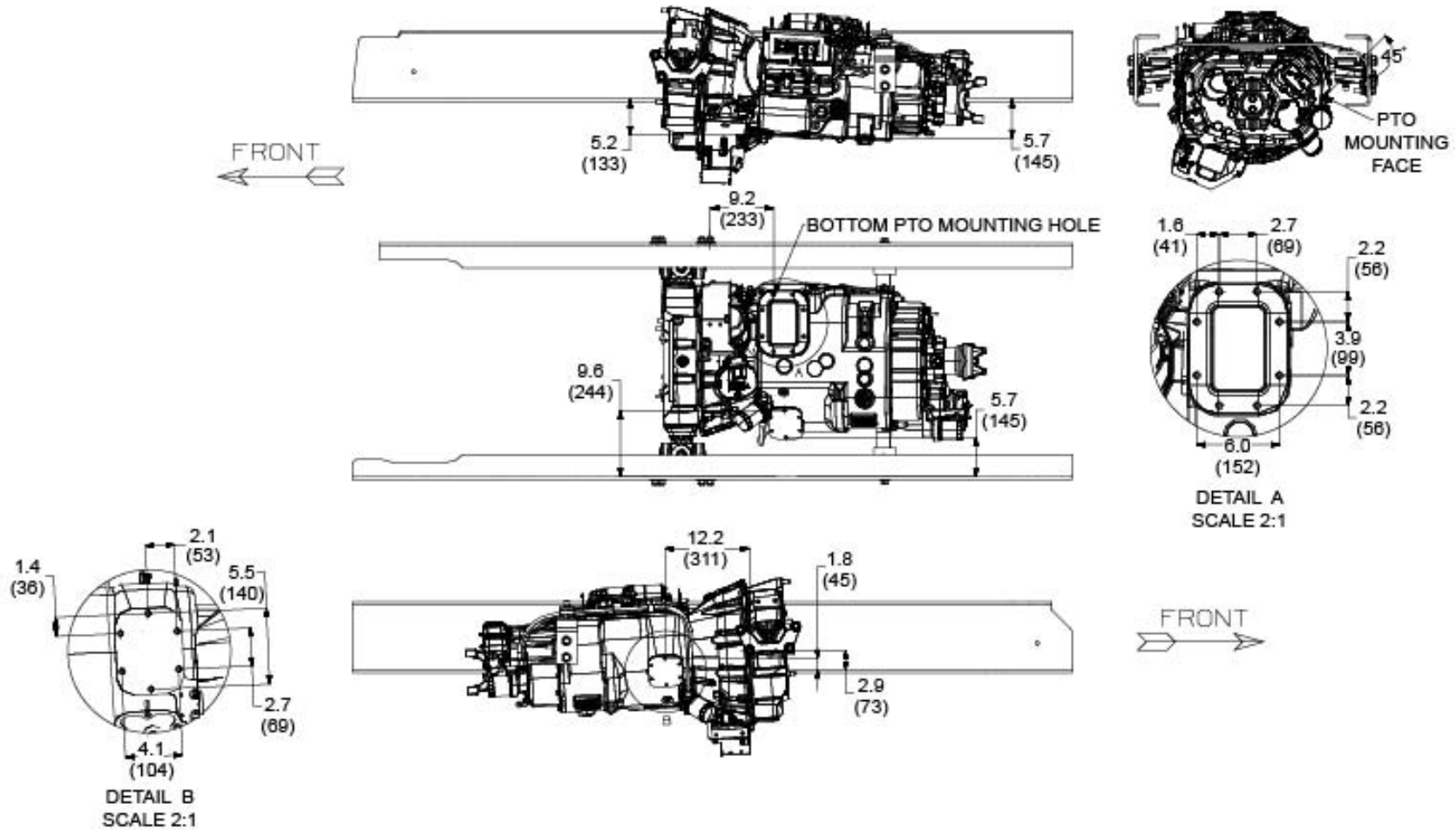


13xau_pto_location

PTO LOCATION

All Models

Dual, Right Side and Bottom of Transmission (13XAV)



SPARE INPUT/OUTPUT CHART (FOR ALLISON TRANSMISSIONS)

Spare Input/Output Package Content		Code	13WUB	13WUC	13WUD	13WUE	13WUH	13WUJ	13WUN
		Package	223	223	170	198	150	142	226
		Other Requirements	Highway Series (HS) General Purpose Trucks	Rugged Duty Series (RDS); General Purpose Trucks, Construction	Emergency Vehicle Series (EVS)		Rugged Duty Series (RDS); Airport Refueler, Sewer Evac	Rugged Duty Series (RDS); Front/Rear Loaders, Recycling/Packer Trucks	Motorhome Series
Func. #	Function Name	Wire Number (for Body Builder Use)							
Feature input functions that are enabled when vehicle is shipped									
I-A	Secondary Mode Input	M	M	M	M	M	M	M	M
I-C	PTO Enable Input	–	143	143	142	–	143	–	–
I-G	Auxiliary Hold	142	142	–	–	–	–	–	142
I-H	Engine brake enable & Preselect Request (Standard)	102/157	102/157	102/157	102/157	102/157	102/157	102/157	102/157
I-Y	Anti-Lock Brake Response	121	121	121	121	121	121	121	121
I-Z	Retarder Enable Input	161	161	161	161	161	161	161	161
I-AG	Automatic Neutral - Dual Input	–	–	–	–	–	117/142	–	–
I-AK	Auto-Neutral-Dual Input with Service Brake Status	–	–	117/142	–	–	–	–	–
Feature output functions that are enabled when vehicle is shipped									
O-B	Sump Retarder Temperature Indicator	164	164	164	164	164	164	164	164
O-C	Range Indicator	145	145	113	–	145 (4th)	–	145	145
O-D	Output Speed Indicator A	105	105	105	105	105	105	105	105
O-I	Engine Overspeed Indicator	–	–	–	–	130	–	130	130
O-S	Neutral Indicator for PTO	–	–	145	–	–	–	–	–
Feature input functions available for aftermarket use									
I-D	Shift Selector Transition	–	–	101 ^N	–	–	101 ^N	–	–
I-E	Auxiliary Function Range Inhibit (STD)	101 ^N	101 ^N	–	–	101 ^N	–	101 ^N	101 ^N
I-J	Fire Truck Pump Mode	–	–	–	122/123 ^N	–	–	–	–
I-L	Automatic Neutral - Single Input	117 ^N	117 ^N	–	–	–	–	117 ^N	117 ^N
I-W	Direction Change Enable	122 ^N	122 ^N	–	–	117 ^N	–	122 ^N	122 ^N
I-AJ	4th Gear Lockup for Pump Mode	–	–	–	–	122/123 ^N	–	–	–

NOTES:

^N = Not Activated

M = Mode Button

Circuit 117 will be excluded when auto neutral features 13WEH or 13WUA are also ordered.

Circuits 117 and 142 will be excluded when auto neutral feature 13AAZ is also ordered.

SPARE INPUT/OUTPUT CHART (FOR ALLISON TRANSMISSIONS)

Spare Input/Output Package Content	CODE	13WUK	13WUL	13WUS	13WUT	13WUV	13WUZ	
	Package	170	167	223	227	226	198	
	Other Requirements	Side Loaders	Street Sweeper	General Purpose Trucks Modified for Single Input Auto Neutral	Emergency Vehicle Series (EVS) Fire (not for Split Shaft PTO)	Highway Series (HS) General Purpose Trucks Modified for Single Input Auto Neutral	Emergency Vehicle Series (EVS); Fire/Pumper, Tank, Aerial/Ladder	
Func. #	Function Name	Wire Number (for Body Builder Use)						
Feature input functions that are enabled when vehicle is shipped								
I-A	Secondary Mode Input	M	142	M	M	M	M	
I-C	PTO Enable Input	143	M	143	143	–	142	
I-F	Auxiliary Function Range Inhibit (Standard)	–	–	–	101/142	–	–	
I-G	Auxiliary Hold	–	–	142	–	142	–	
I-H	Engine Brake Enable & Preselect Request (Standard)	102/157	102/157	102/157	102/157	102/157	102/157	
I-L	Automatic Neutral – Single Input	–	117	117	–	117	–	
I-Q	Two Speed Axle Enable	–	101	–	–	–	–	
I-Y	Anti-Lock Brake Response	121	121	121	121	121	121	
I-Z	Retarder Enable Input	161	161	161	161	161	161	
I-AG	Automatic Neutral – Dual Input	–	–	–	–	–	–	
I-AH	Kickdown	–	–	–	–	–	–	
I-AK	Automatic-Neutral – Dual Input with Service Brake Status	117/142	–	–	–	–	–	
Feature output functions that are enabled when vehicle is shipped								
O-B	Sump/Retarder Temperature Indicator	164	164	164	–	164	164	
O-C	Range Indicator	113	113	145	–	145	145 (4th)	
O-D	Output Speed Indicator A	105	105	105	105	105	105	
O-S	Neutral Indicator for PTO	145	–	–	145	–	–	
Feature input functions available for aftermarket use								
I-D	Shift Selector Transition	101 ^N	–	–	–	–	–	
I-E	Auxiliary Function Range Inhibit (Standard)	–	–	101 ^N	–	101 ^N	–	
I-L	Automatic Neutral - Single Input	–	117 ^N	–	–	–	–	
I-V	Reverse Enable	–	143 ^N	–	–	–	–	
I-W	Direction Change Enable	–	–	122 ^N	–	122 ^N	–	

NOTES:

^N = Not Activated

M = Mode Button

Circuit 117 will be excluded when auto neutral features 13WEH or 13WUA are also ordered.

Circuits 117 and 142 will be excluded when auto neutral feature 13AAZ is also ordered.

Spare Input/Output Package Content		CODE	13WVA	13WVB	13XAC
		Package	360	170	354
		Other Requirements	Emergency Vehicle Series (EVS) Fire/Pumper, Tank, Aerial/Ladder	Emergency Vehicle Series (EVS); Rescue, Ambulance	Rugged Duty Series (RDS) General Purpose Trucks Modified for Single Input Auto Neutral
Func. #	Function Name	Wire Number (for Body Builder Use)			
Feature input functions that are enabled when vehicle is shipped					
I-A	Secondary Mode Input	142	M	142	
I-C	PTO Enable Input	143	143	143	
I-F	Auxiliary Function Range Inhibit (Standard)	-	-	-	
I-G	Auxiliary Hold	-	-	-	
I-H	Engine Brake Enable & Preselect Request (Standard)	102	102/157	102	
I-L	Automatic Neutral – Single Input	-	-	123	
I-Q	Two Speed Axle Enable	-	-	-	
I-Y	Anti-Lock Brake Response	121	121	121	
I-Z	Retarder Enable Input	-	161	-	
I-AA	Service Brake – Status Input	162	-	-	
I-AG	Automatic Neutral – Dual Input	-	-	-	
I-AH	Kickdown	-	-	162	
I-AK	Automatic-Neutral – Dual Input with Service Brake Status	-	-	-	
I-AR	Overdrive Disable	161	-	161	
Feature output functions that are enabled when vehicle is shipped					
O-B	Sump/Retarder Temperature Indicator	164	164	164	
O-C	Range Indicator	145 (3rd)	113	145	
O-D	Output Speed Indicator A	105	105	165	
O-S	Neutral Indicator for PTO	-	145	-	
Feature input functions available for aftermarket use					
I-D	Shift Selector Transition	-	101*	-	
I-E	Auxiliary Function Range Inhibit (Standard)	-	-	101	
I-L	Automatic Neutral - Single Input	-	-	123	
I-V	Reverse Enable	-	-	-	
I-W	Direction Change Enable	-	-	-	
I-AK	Auto-Neutral - Dual Input with Service Brake Status	-	117/142 ^N	-	
I-BQ	Pump Mode (3rd Lockup)	122/123 ^N	-	-	

NOTES:

^N = Not Activated

M = Mode Button

Circuit 117 will be excluded when auto neutral features 13WEH or 13WUA are also ordered.

Circuits 117 and 142 will be excluded when auto neutral feature 13AAZ is also ordered.

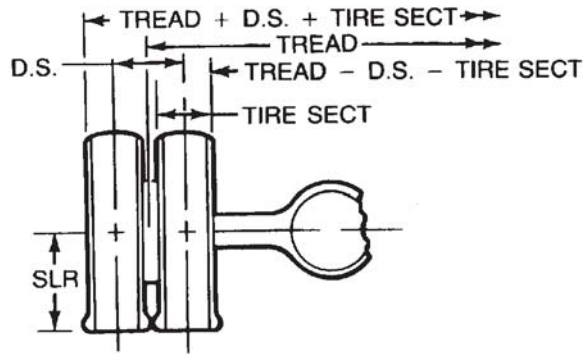
SPARE INPUT/OUTPUT CHART (FOR ALLISON TRANSMISSIONS)



REAR AXLES & SUSPENSIONS

REAR AXLE TREAD

All Models



TREAD	= Distance (width) between vertical centerlines of single tires at opposite ends of axle, or between vertical centerlines of dual spacing (D.S.) at opposite ends of axle.
(Tire Section)	= Overall width of new tire at top of tire under maximum load, including 24-hour inflation growth, and including protective side ribs, bars and decorations recommended by tire manufacturer.
(Dual Spacing)	= Dimension (width) between vertical centerlines of two tires (duals) assembled at one end of an axle.
(Tread plus Dual Spacing plus Tire Section)	= Overall width of axle, dual rims, and tire assembly at top of tires under load.
(Tread minus Dual Spacing minus Tire Section)	= Distance (width) between near sides of inner tires of dual assembly at top of tires under load.
(Static Loaded Radius)	= Distance from ground to centerline of hub when tires are correctly inflated and under maximum load recommended by tire manufacturer.

Dual Tires

14_0008

The charts shown here list tread information for various wheel/axle combinations. Tread dimensions are not dependent on tire size. Other dimensions explained here are related to tread and require tire dimensions. For tire dimensions, please contact your tire supplier or refer to the Component Book (PDB-70000).

REAR AXLE TREAD DATA

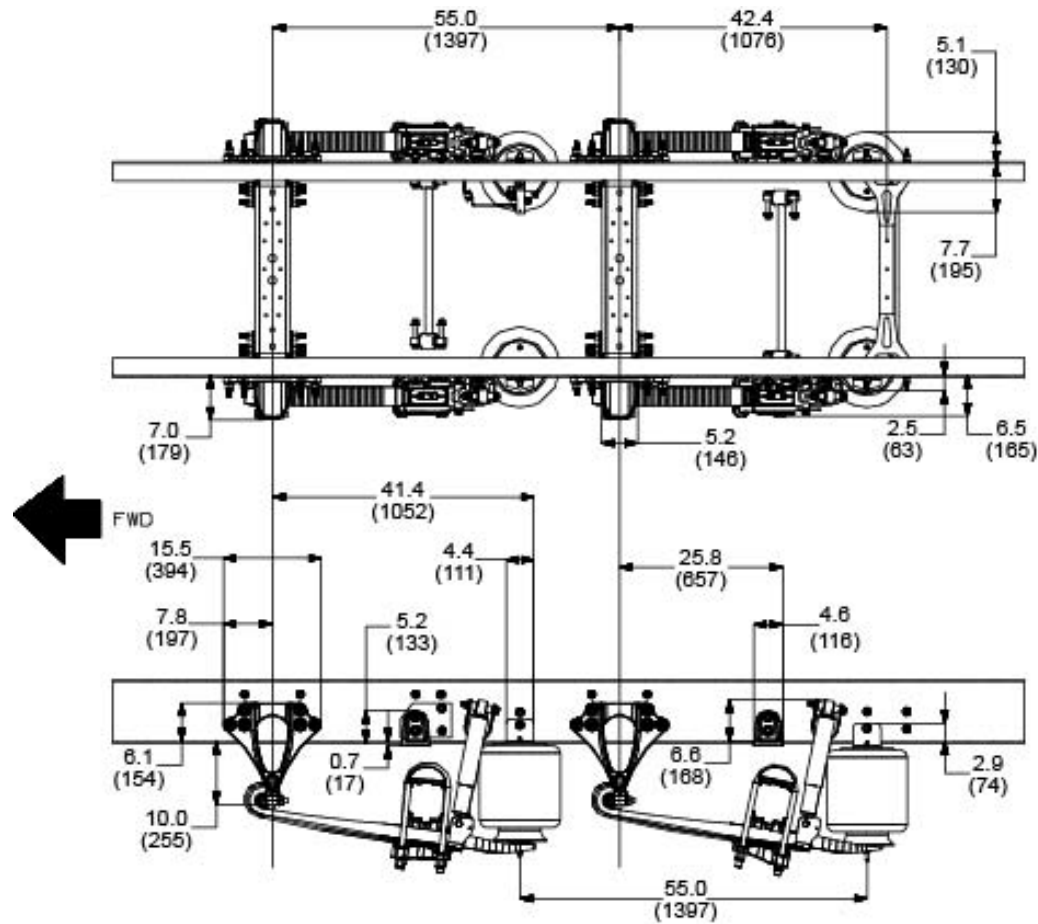
6x4

Wheel/Rim				Tandem Axle Code
Type	Size	Material	Dual Spacing	14GVJ, 14GVK, 14GVL, 14GVN, 14GVR, 14GVU, 14GVX, 14GVY, 14GWY, 14GXC
				Air Brake
Disc	22.5 x 7.50	Steel	12.9	72.5
	22.5 x 8.25	Steel	13.2	72.5
		Aluminum	13.2	73.4
	22.5 x 9.00	Steel	14.0	72.9
		Aluminum	14.0	73.6

REAR SUSPENSION

Bracket Location

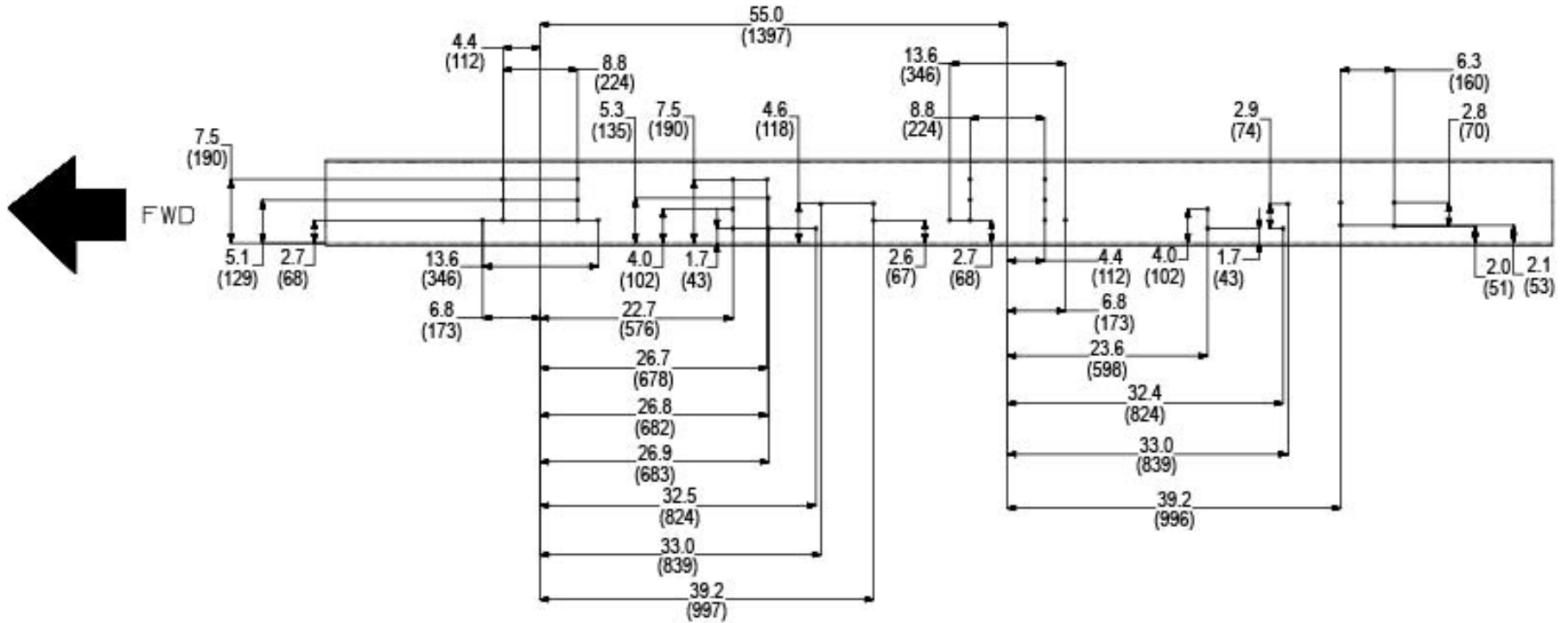
IROS Air Tandem Suspension (14UNT) - Left and Right View



REAR SUSPENSION

Hole Pattern

IROS Air Tandem Suspension (14UNT) - Left and Right View

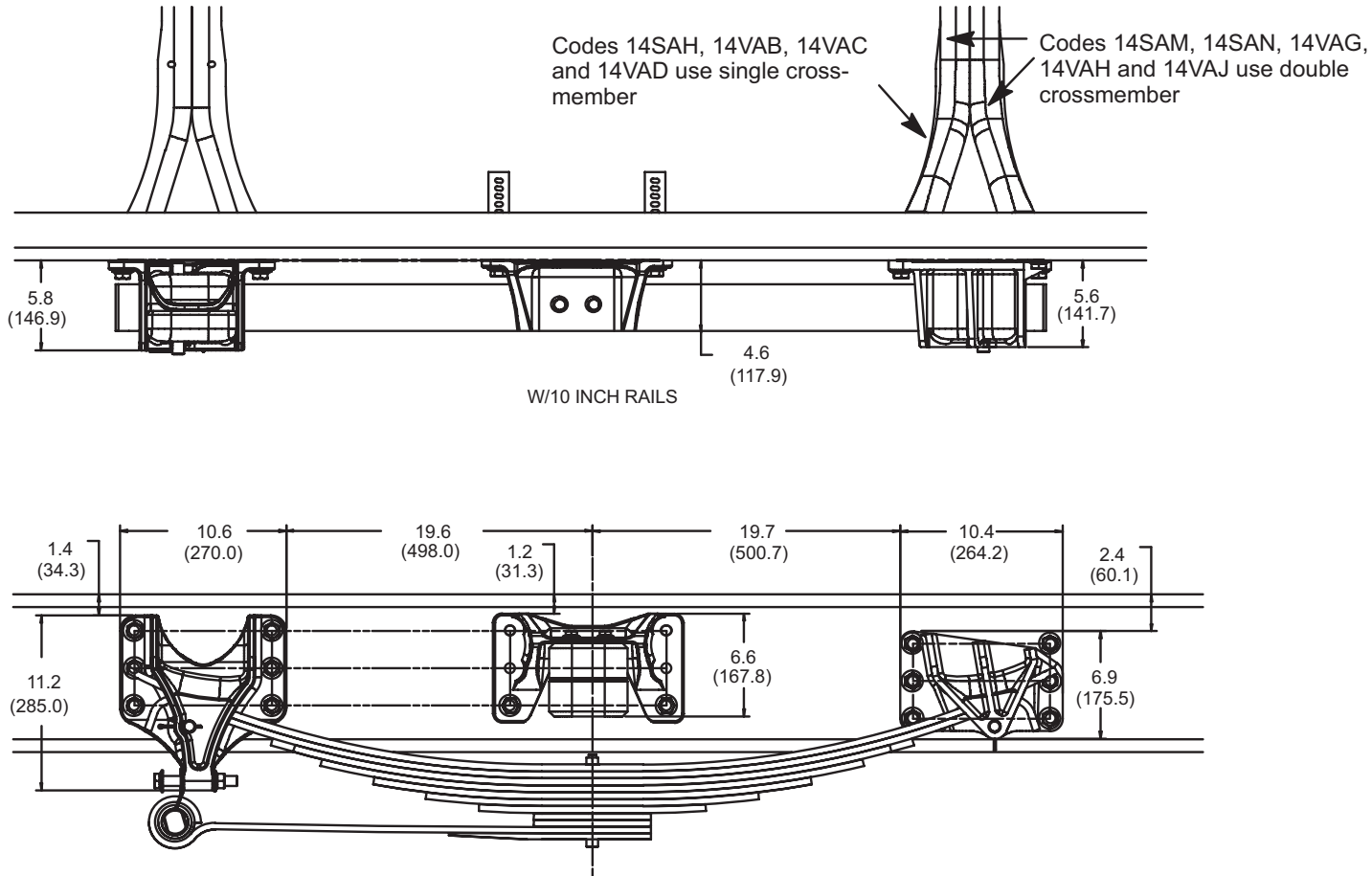


mv_14unt_hole_pattern

REAR SUSPENSION

Bracket Location - 4x2

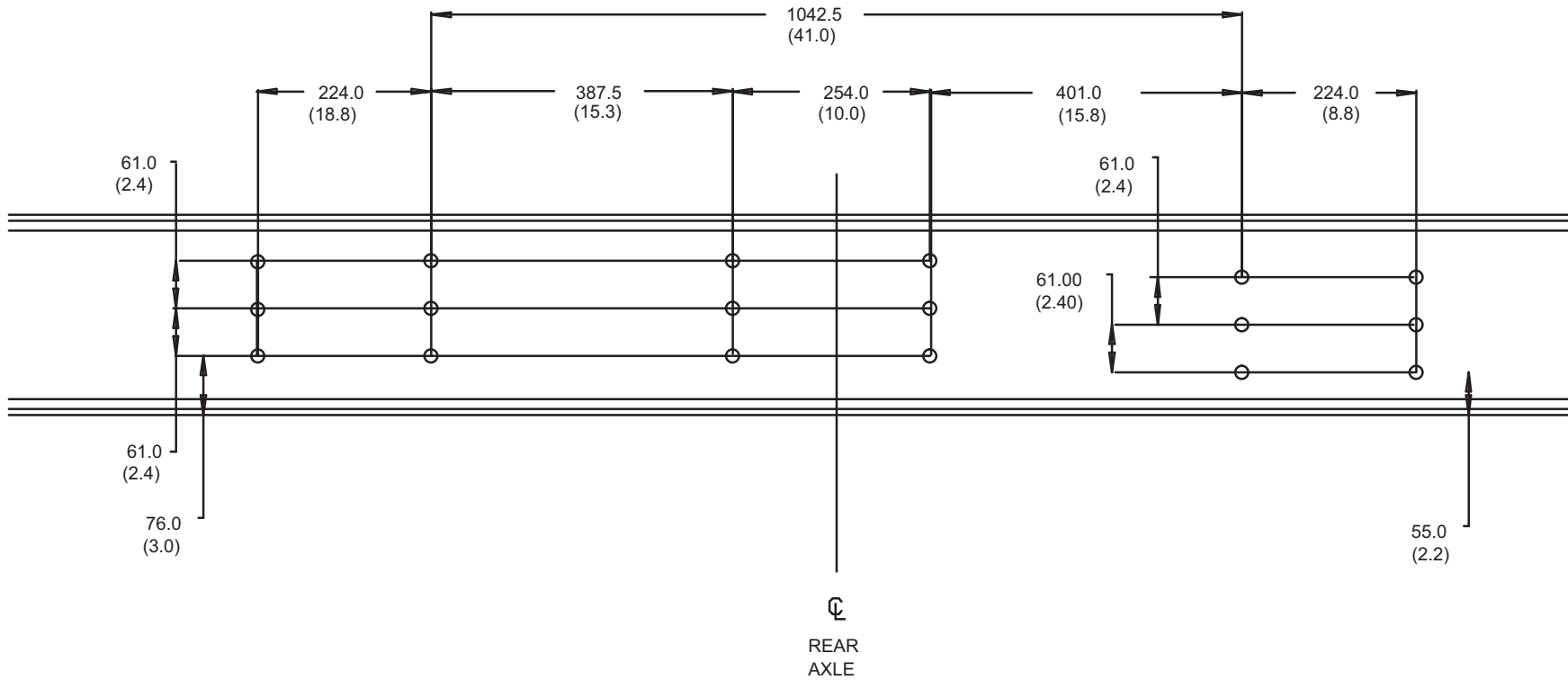
Vari-Rate Steel Suspension (14SAH, 14SAM, 14SAN, 14VAB, 14VAC, 14VAD, 14VAG, 14VAH, 14VAJ)



REAR SUSPENSION

Hole Pattern - 4x2

Vari-Rate Steel Suspension (14SAH, 14SAM, 14SAN, 14VAB, 14VAC, 14VAD, 14VAG, 14VAH, 14VAJ)

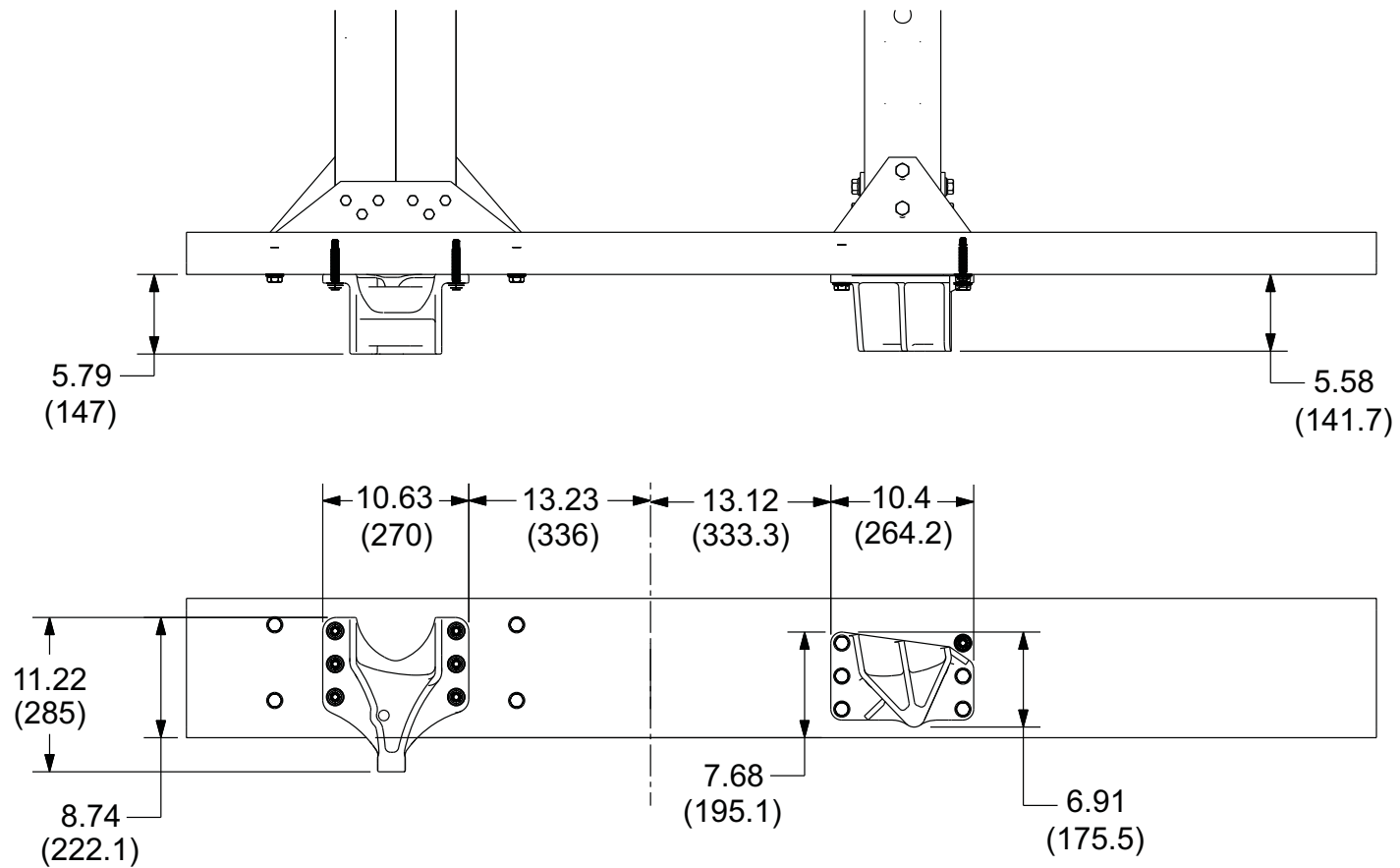


14_0010

REAR SUSPENSION

Bracket Location - 4x2

3-Rod Vari-Rate Steel Suspension (14SCD, 14SCE)

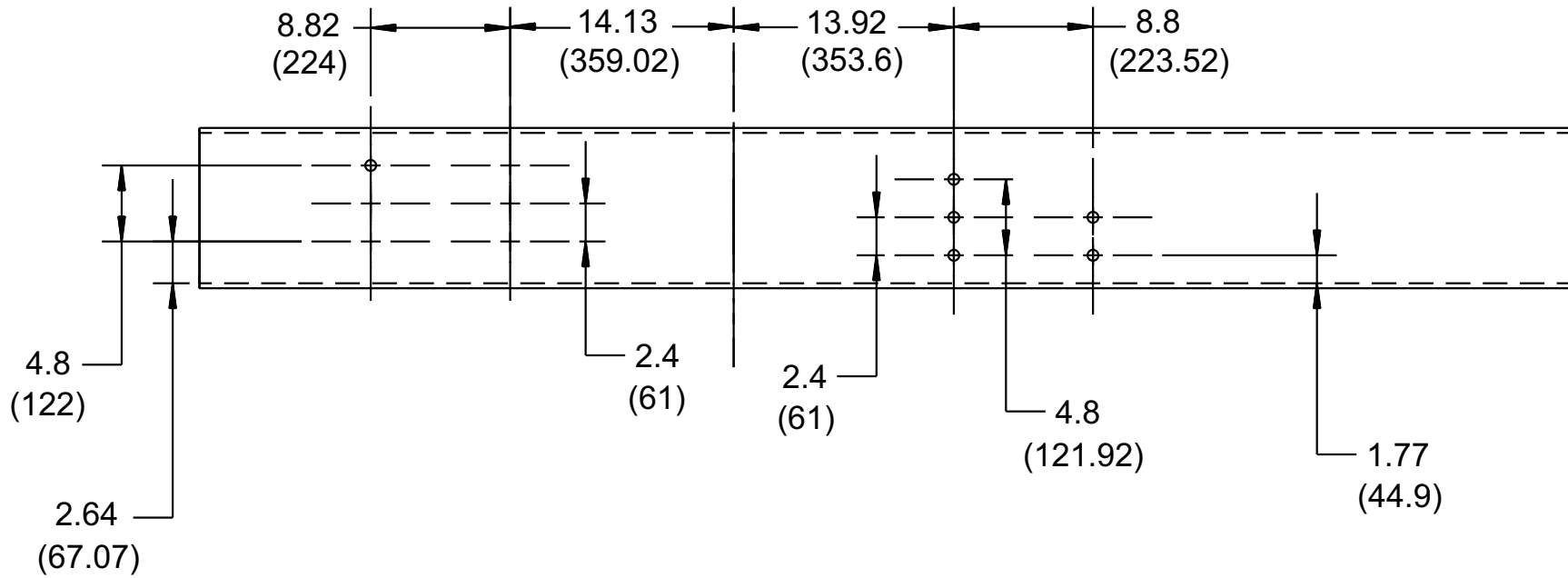


14_3-rod_vari-rate_bracket

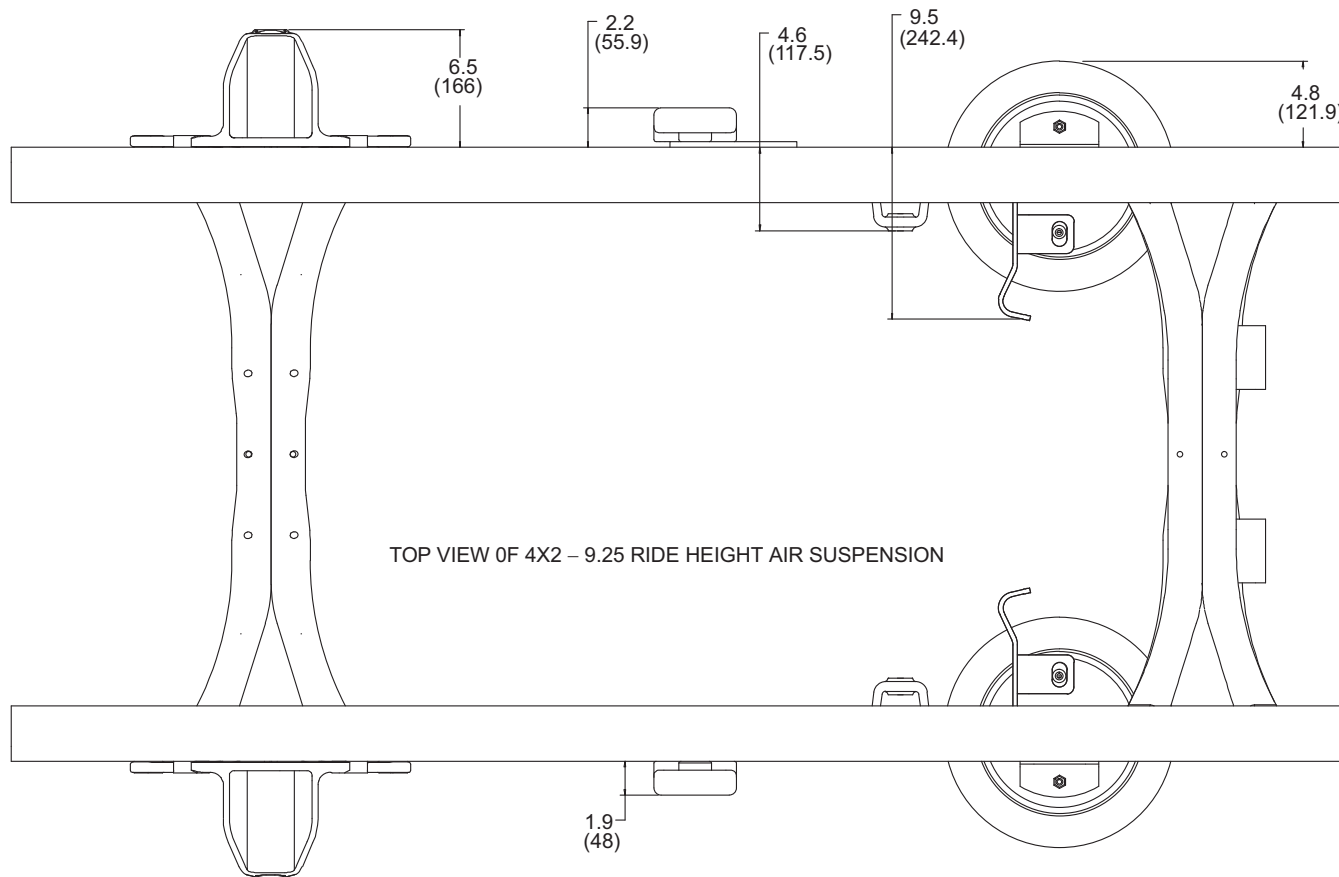
REAR SUSPENSION

HOLE PATTERN - 4X2

3-Rod Vari-Rate Steel Suspension (14SCD, 14SCE)



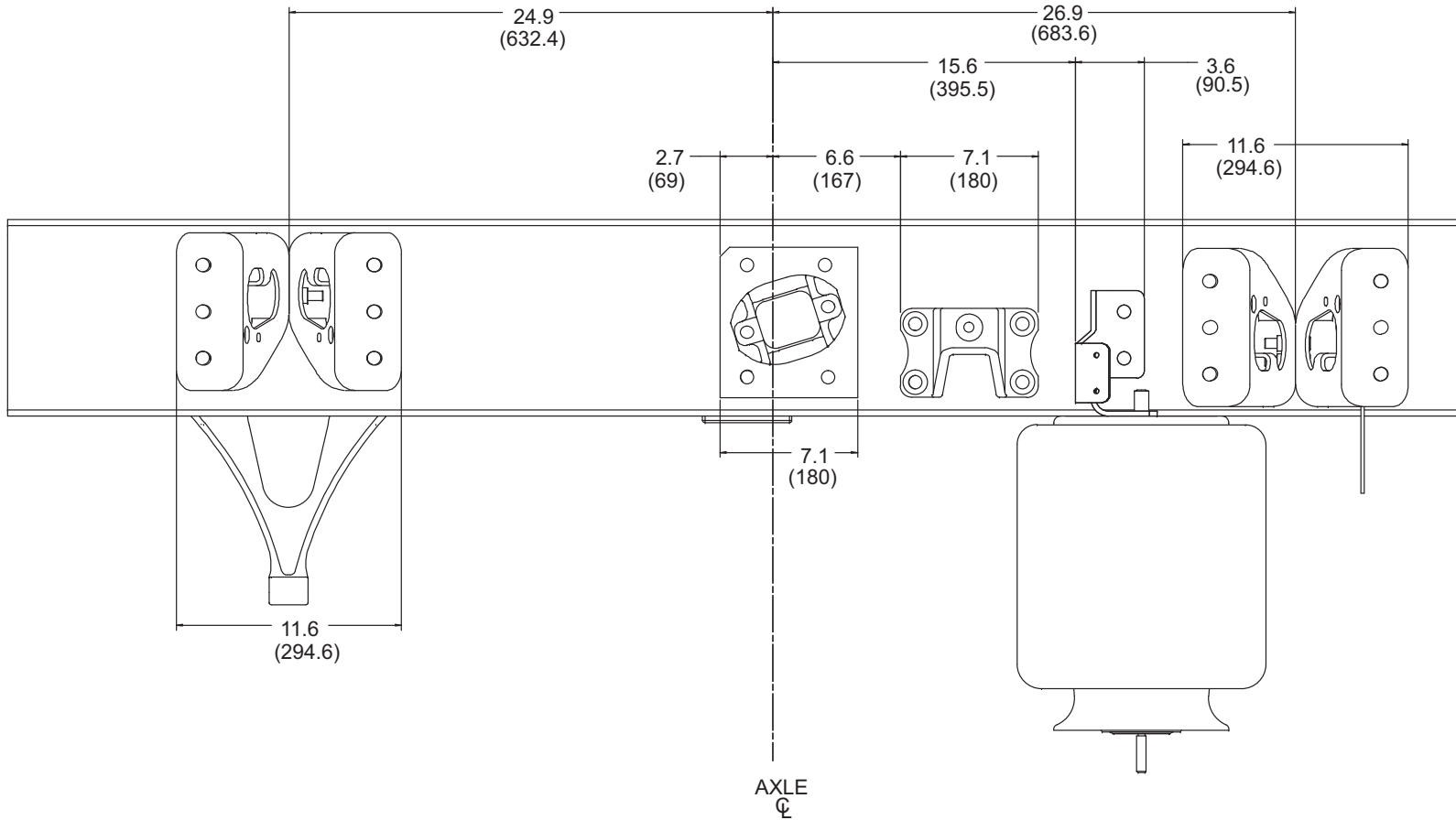
14_3-rod_vari-rate_hole

*REAR SUSPENSION**Bracket Location - 4x2**International® Ride Optimized Air Suspension, 9.25" Ride Height – Top View (14TBJ, 14TBS)*

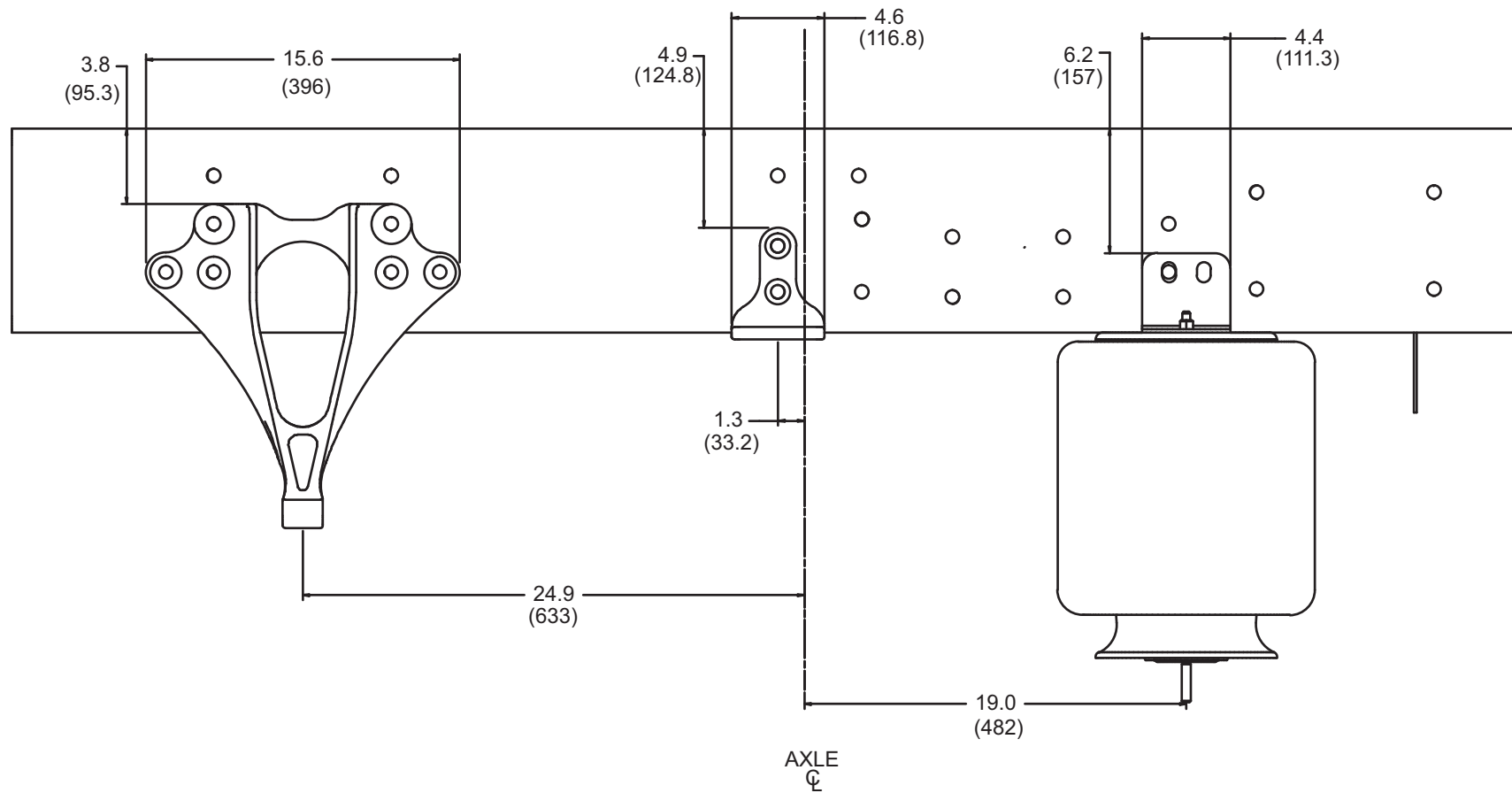
REAR SUSPENSION

BRACKET LOCATION - 4X2

International® Ride Optimized Air Suspension, 9.25" Ride Height – Right View (14TBJ, 14TBS)



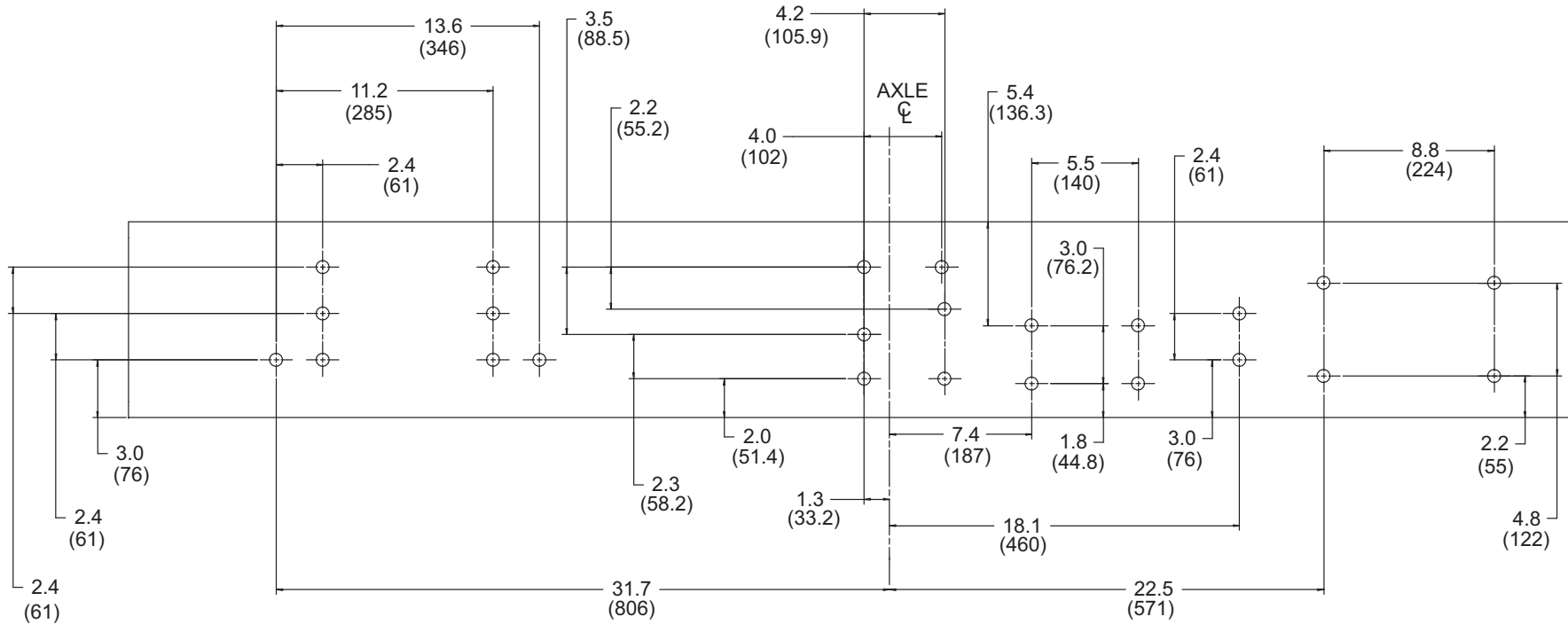
14_0016

*REAR SUSPENSION**BRACKET LOCATION - 4X2**International® Ride Optimized Air Suspension, 9.25" Ride Height – Left View (14TBJ, 14TBS)*

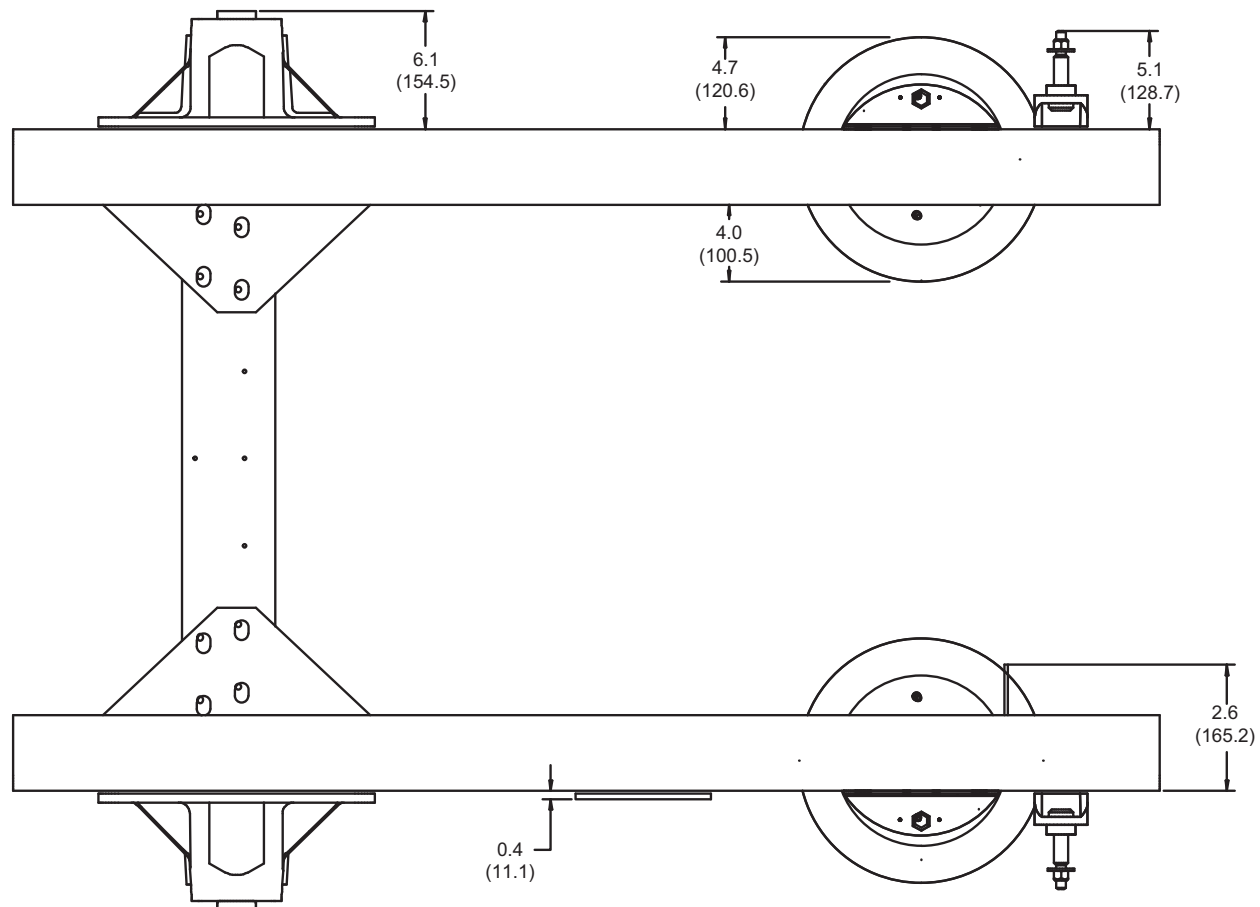
REAR SUSPENSION

Hole Pattern - 4x2

International® Ride Optimized Air Suspension, 9.25" Ride Height – Right and Left Views (14TBJ, 14TBS)



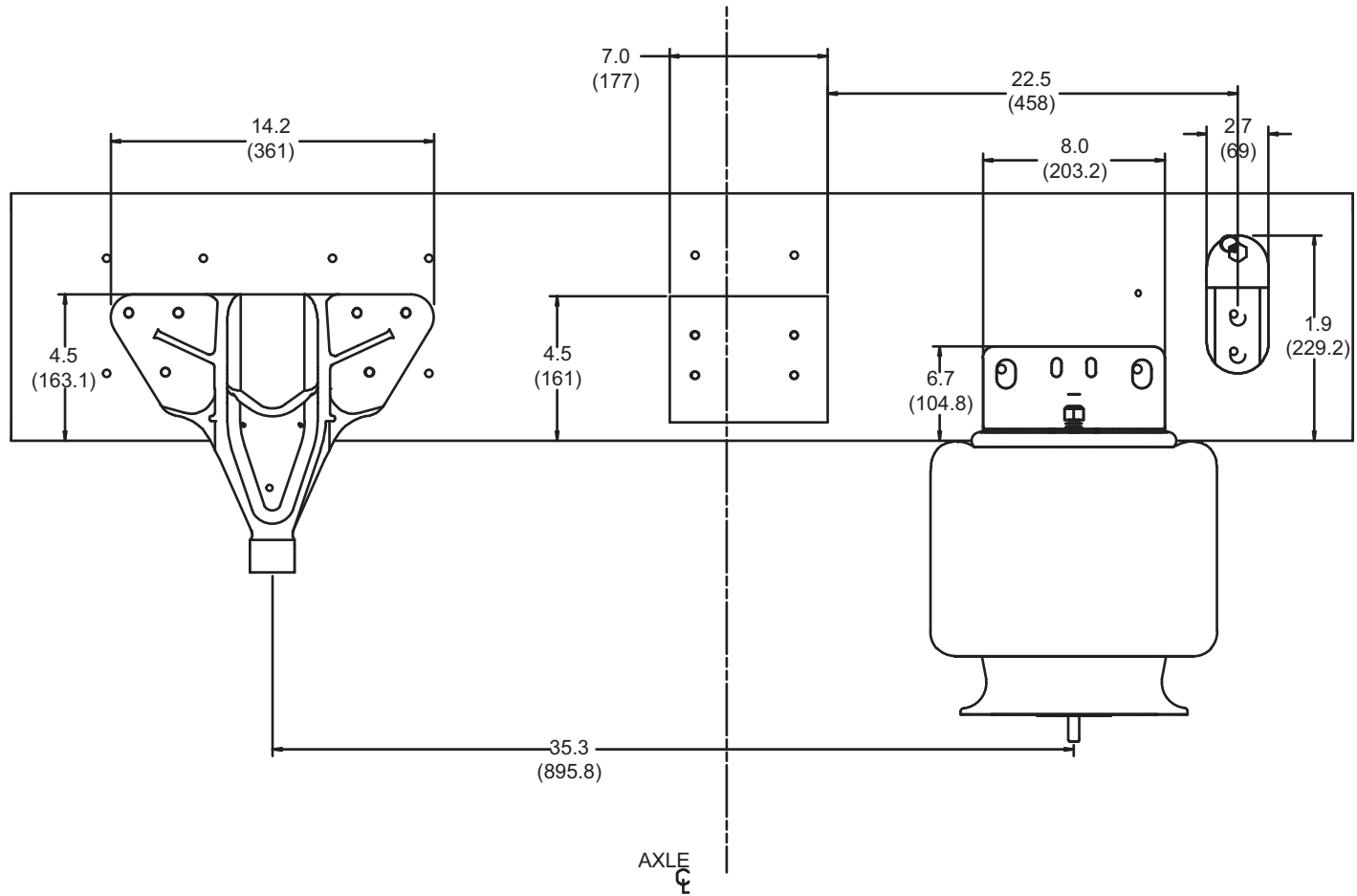
14_0018

*REAR SUSPENSION**BRACKET LOCATION - MV607 4x2**Hendrickson Air Suspension, 9.5" Ride Height – Top View (14TAX, 14TAY)*

REAR SUSPENSION

BRACKET LOCATION - MV607 4x2

Hendrickson Air Suspension, 9.5" Ride Height – Left View, Outside Rail (14TAX, 14TAY)

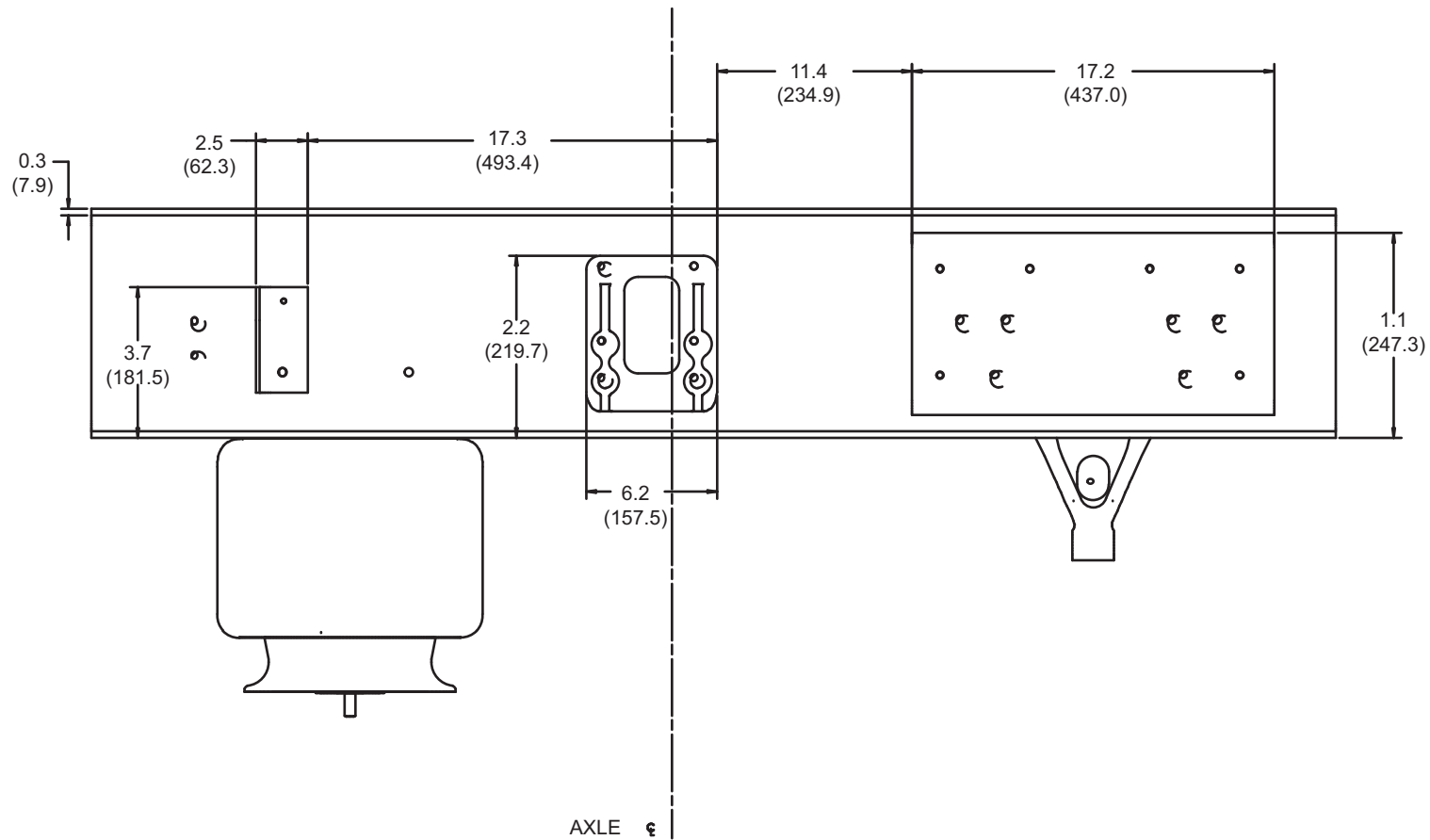


14_0052

REAR SUSPENSION

BRACKET LOCATION - MV607 4x2

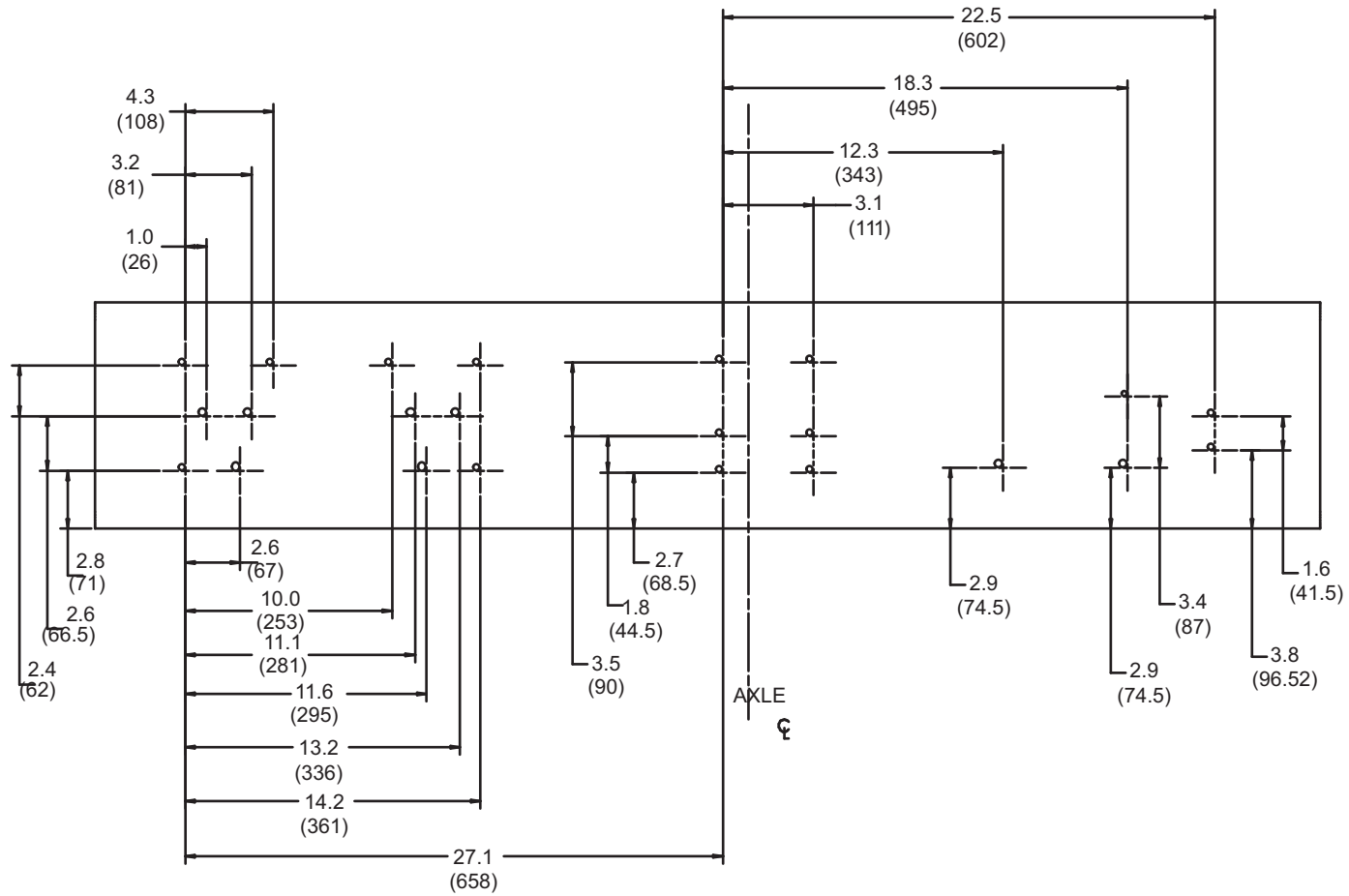
Hendrickson Air Suspension, 9.5" Ride Height – Left View, Inside Rail (14TAX, 14TAY)



REAR SUSPENSION HOLE PATTERN

HOLE PATTERN - MV607 4x2

Hendrickson Air Suspension, 9.5" Ride Height – Left View (14TAX, 14TAY)

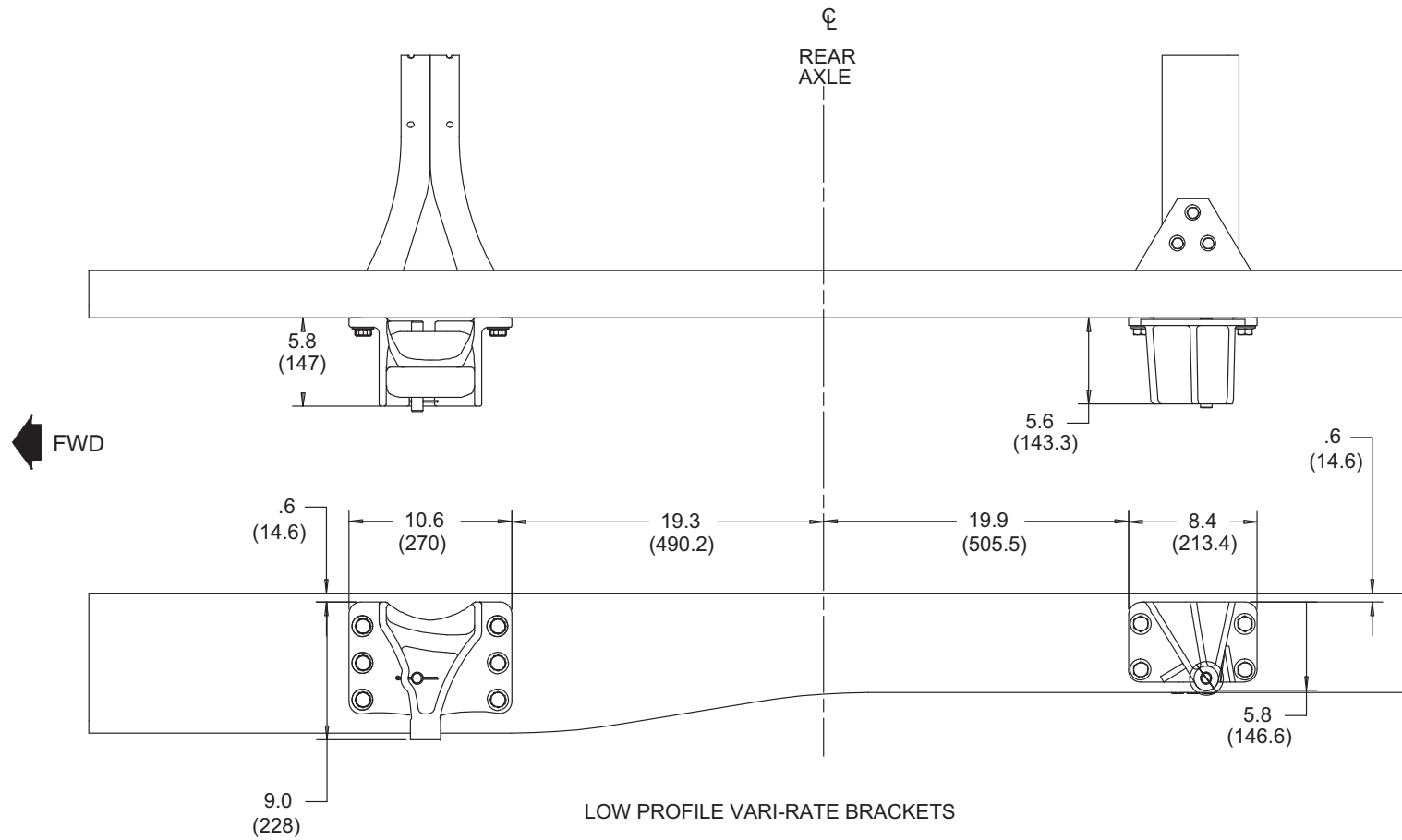


14_0054

REAR SUSPENSION

BRACKET LOCATION - LP

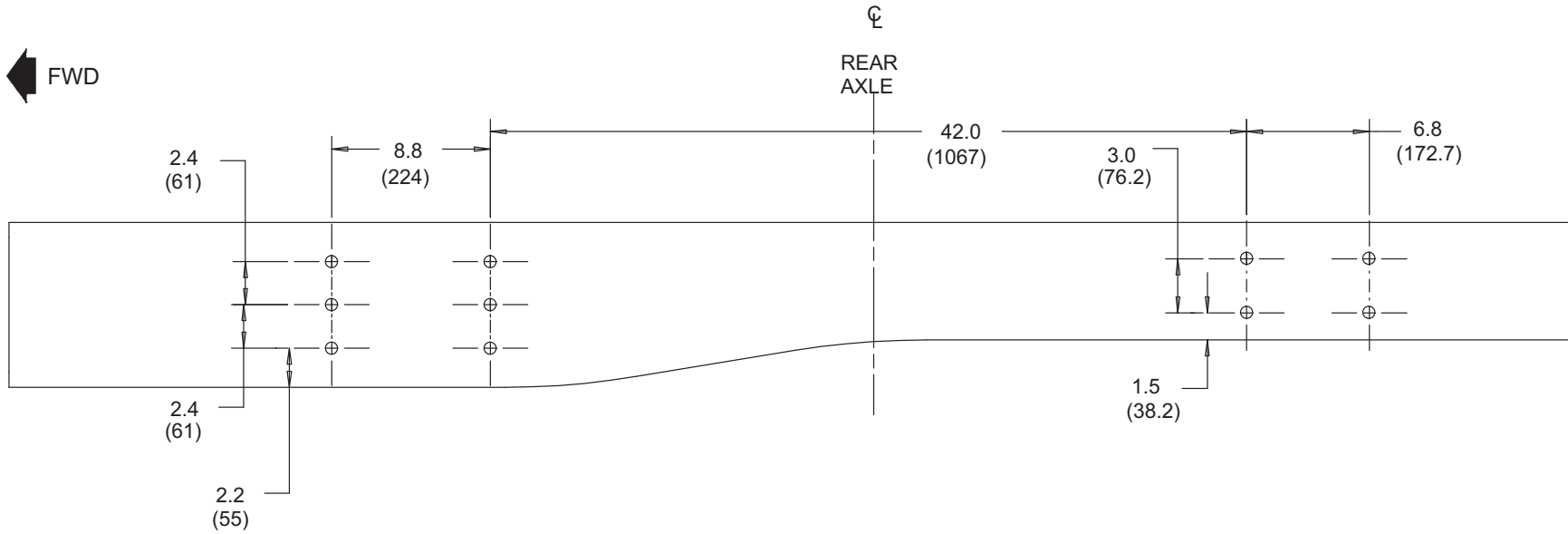
Vari-Rate Steel Suspension (14SAC, 14SAE, 14SAH, 14SAM)



REAR SUSPENSION

HOLE PATTERN - LP

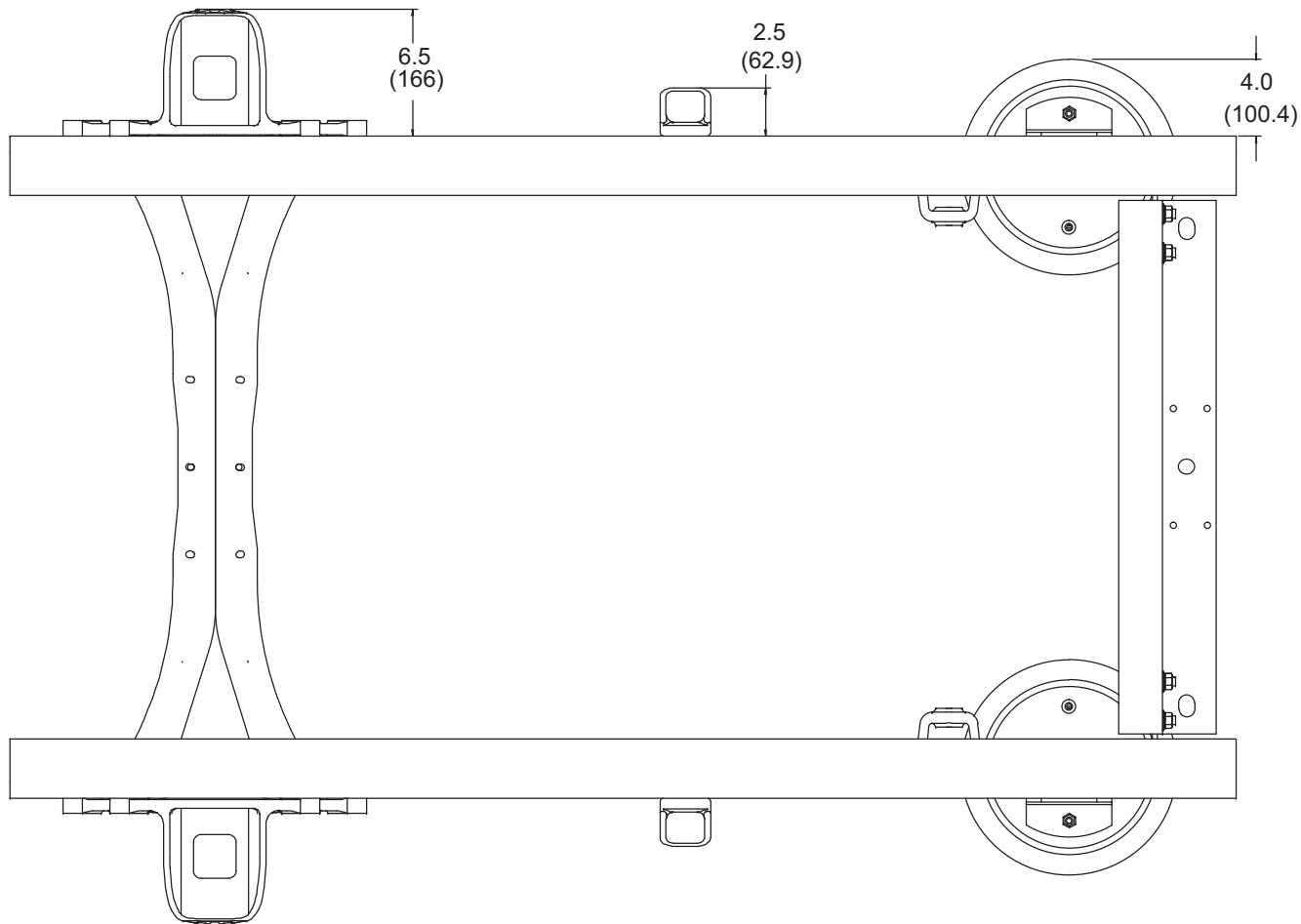
Vari-Rate Steel Suspension (14SAC, 14SAE, 14SAH, 14SAM)



14_0012

*REAR SUSPENSION BRACKET LOCATION**BRACKET LOCATION - LP*

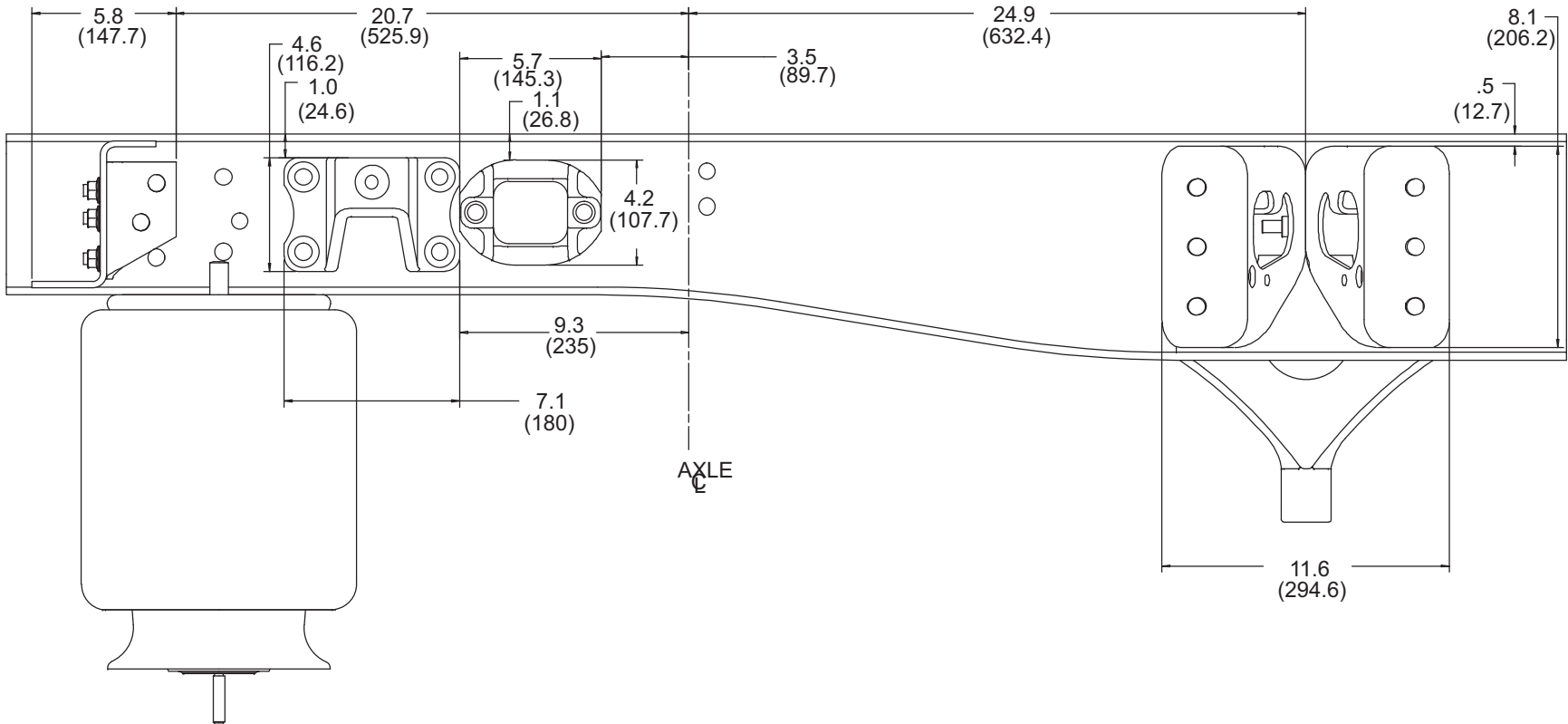
International® Ride Optimized Air Suspension, 5.3" Ride Height – Top View (14TBL, 14TBM, 14TBN)



REAR SUSPENSION

BRACKET LOCATION - LP

International® Ride Optimized Air Suspension, 5.3" Ride Height – Left View, Inside Rail (14TBL, 14TBM, 14TBN)

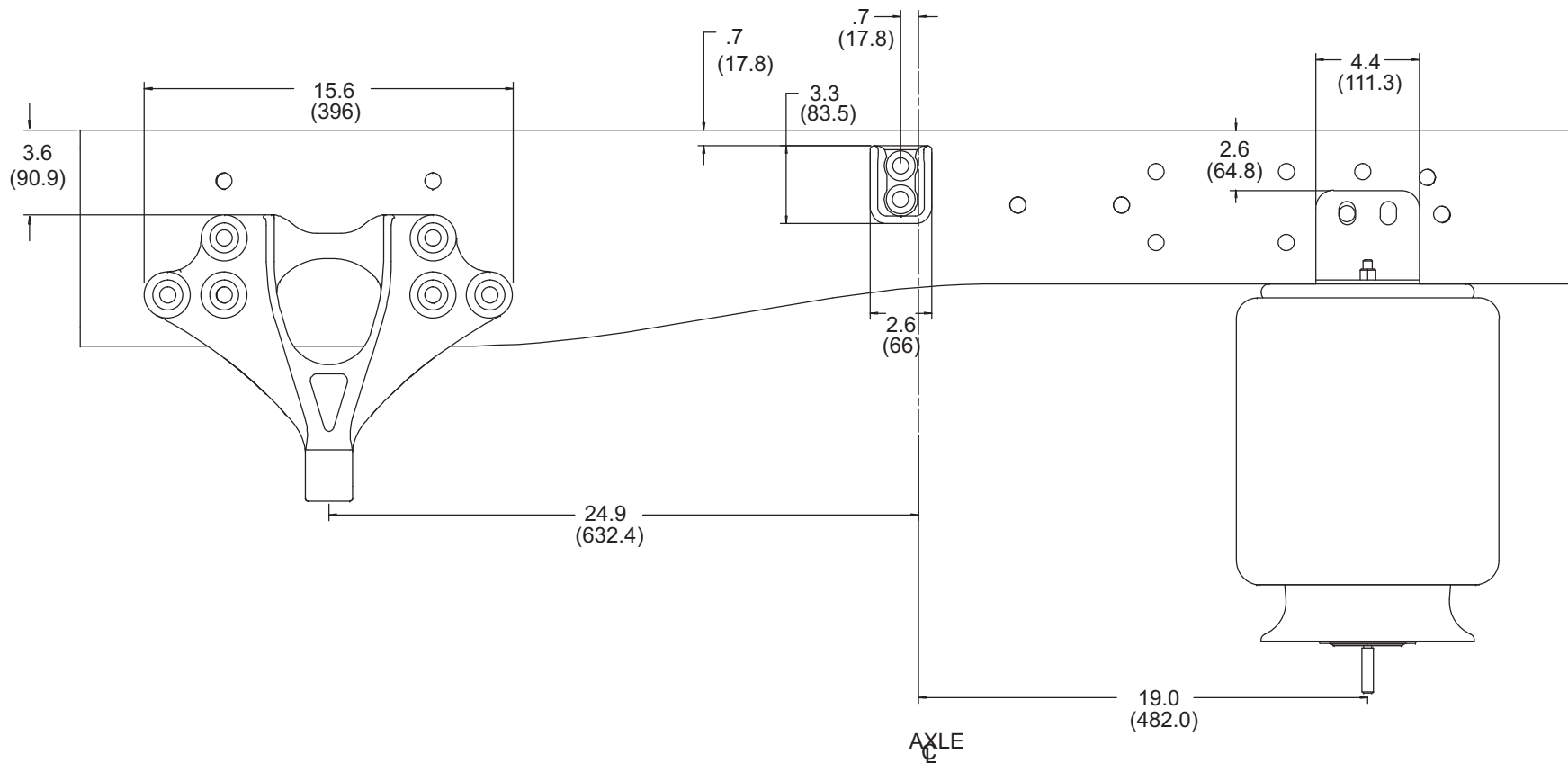


14_0020

REAR SUSPENSION

BRACKET LOCATION - LP

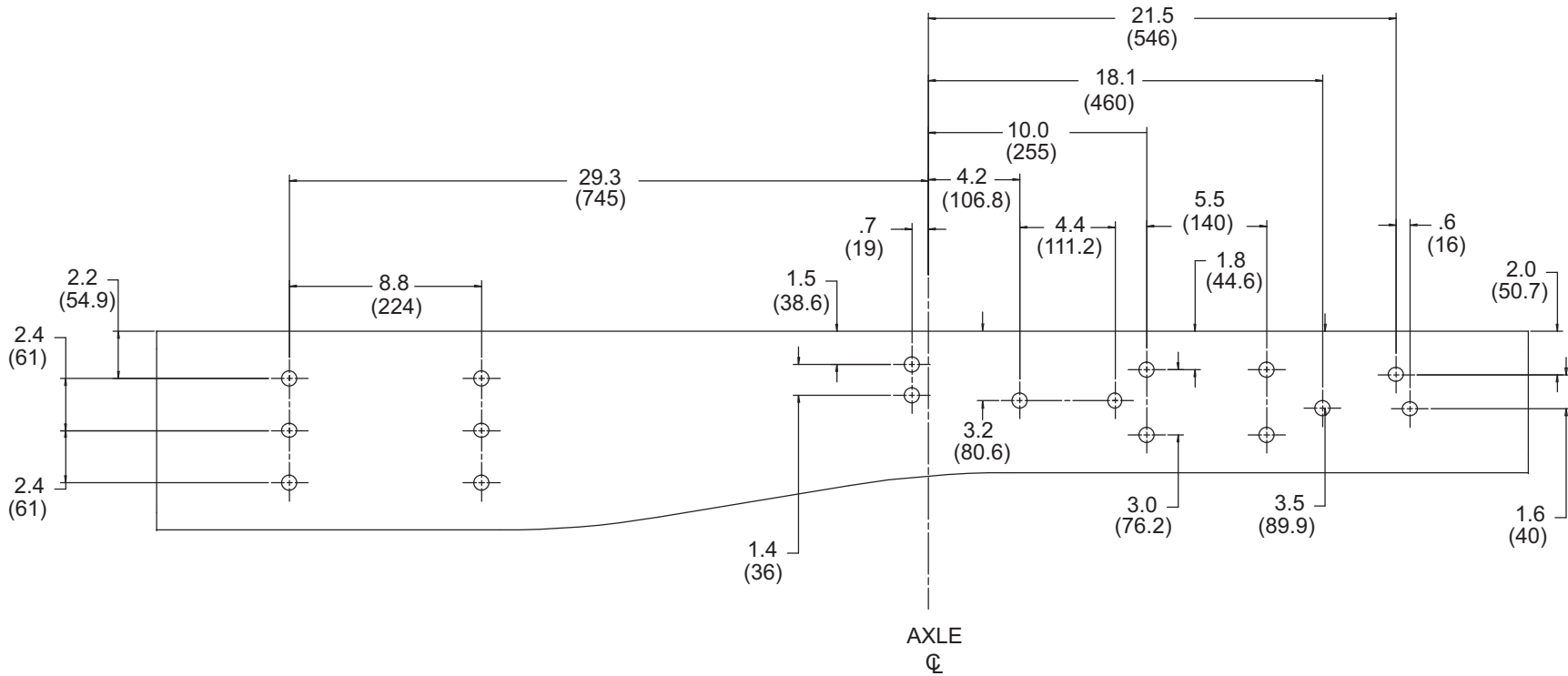
International® Ride Optimized Air Suspension, 5.3" Ride Height – Right View, Outside Rail (14TBL, 14TBM, 14TBN)



REAR SUSPENSION

HOLE PATTERN - LP

International® Ride Optimized Air Suspension, 5.3" Ride Height (14TBL, 14TBM, 14TBN)



14_0022

REAR SUSPENSION

Bracket Location - 4x2

Ride Optimized Suspension-IROS (14TDE)

PENDING

REAR SUSPENSION

HOLE PATTERN - 4X2

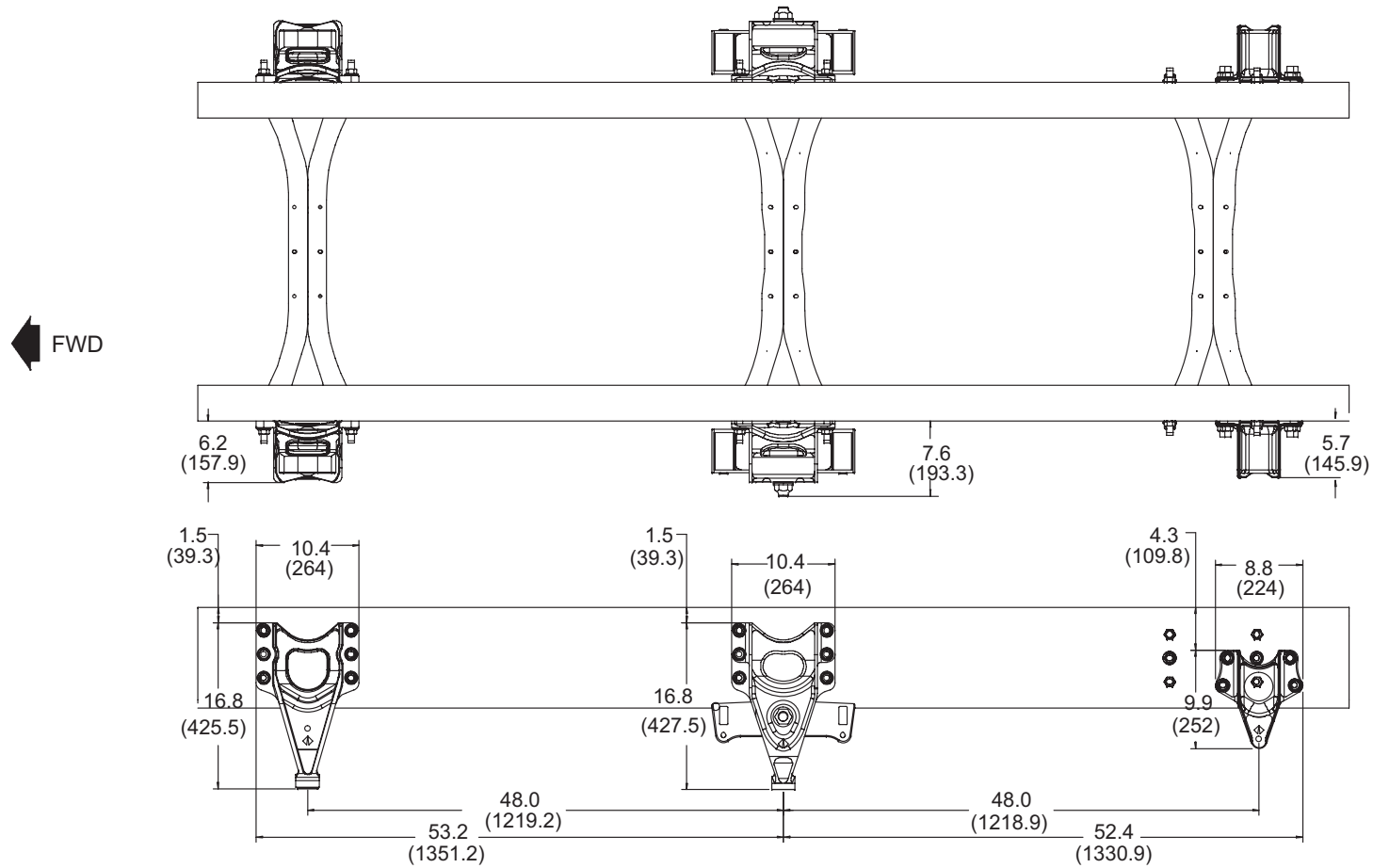
Ride Optimized Suspension-IROS (14TDE)

PENDING

REAR SUSPENSION

BRACKET LOCATION - 6x4

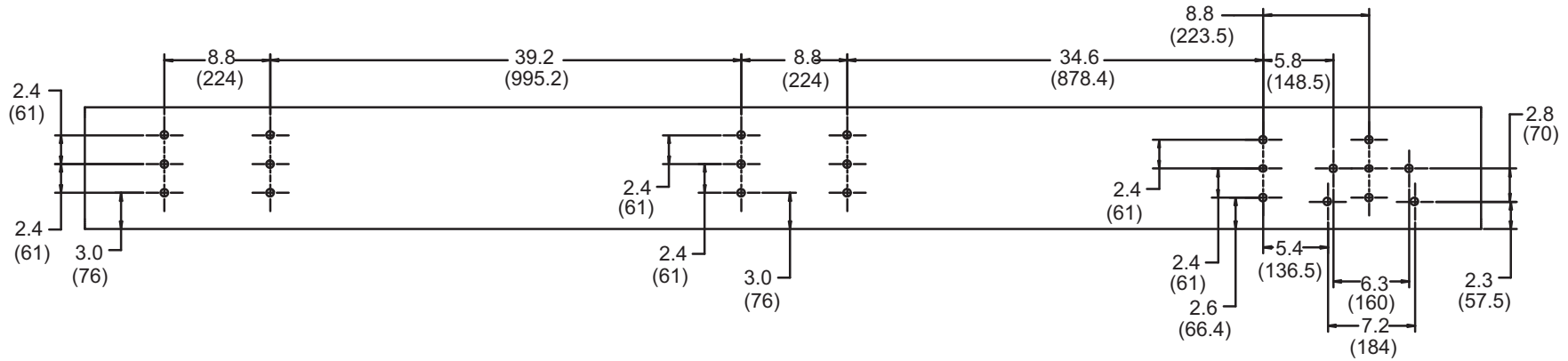
4-Spring Suspension (14UNA, 14670)



REAR SUSPENSION

HOLE PATTERN - 6X4

4-Spring Suspension (14UNA, 14670)

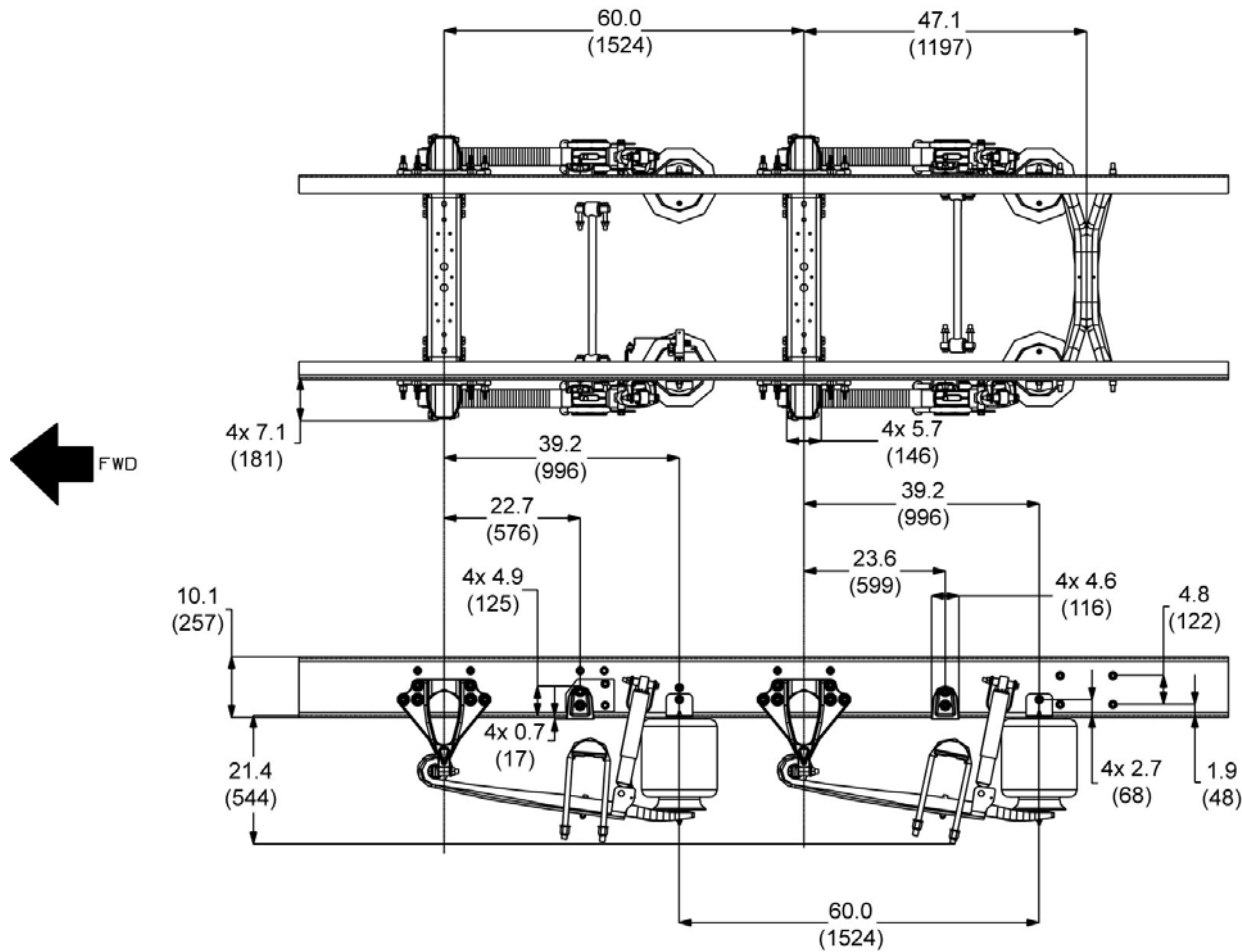


14_0014

REAR SUSPENSION

BRACKET LOCATION - 6x4

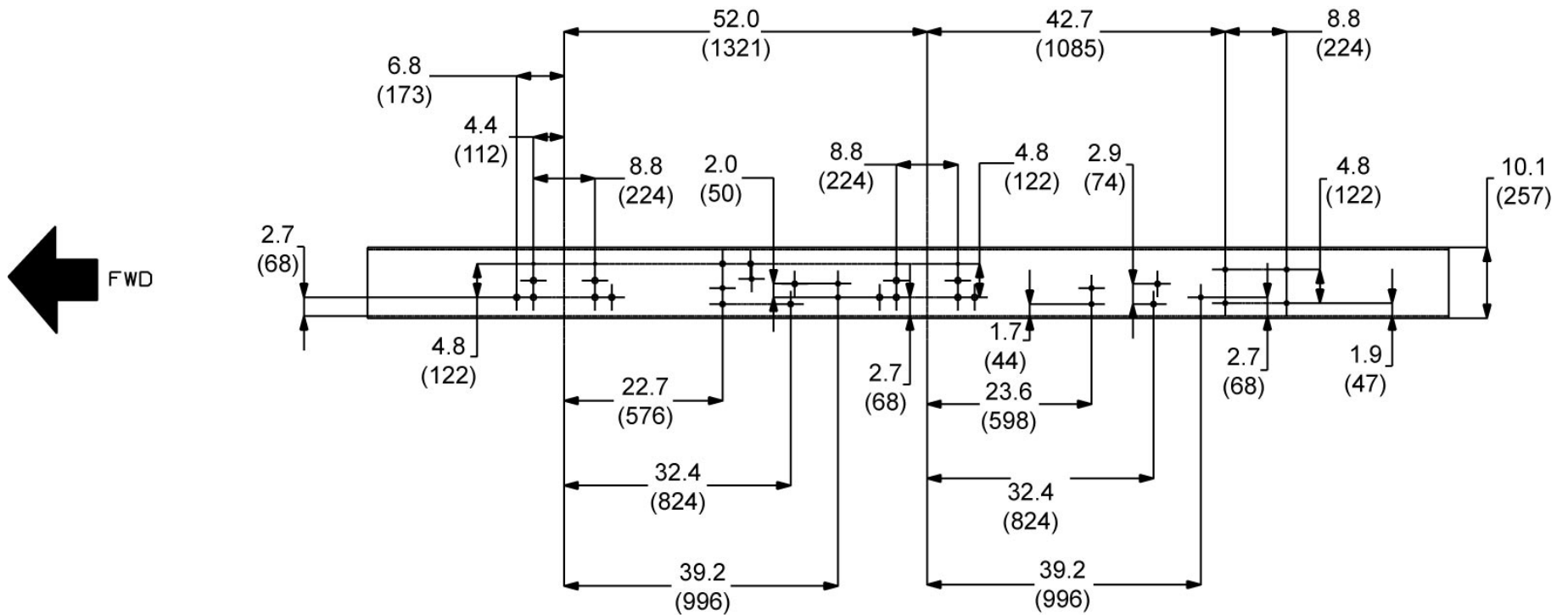
International® 4-Spring 52" – Top and Left View (14UNU)



REAR SUSPENSION

HOLE PATTERN - 6x4

International® 4-Spring 52" – Top and Left View (14UNU)

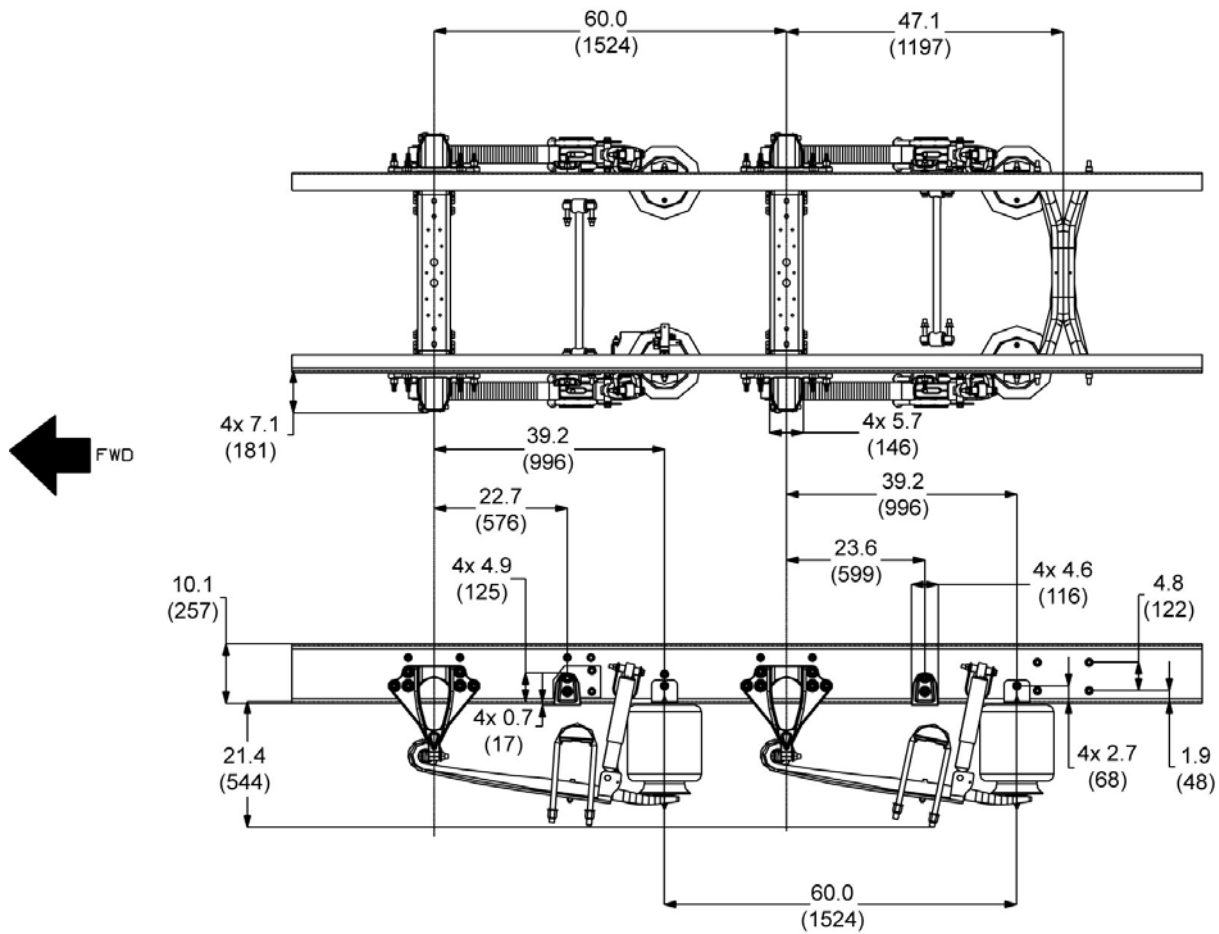


MV_14unu_holes

REAR SUSPENSION

BRACKET LOCATION - 6X4

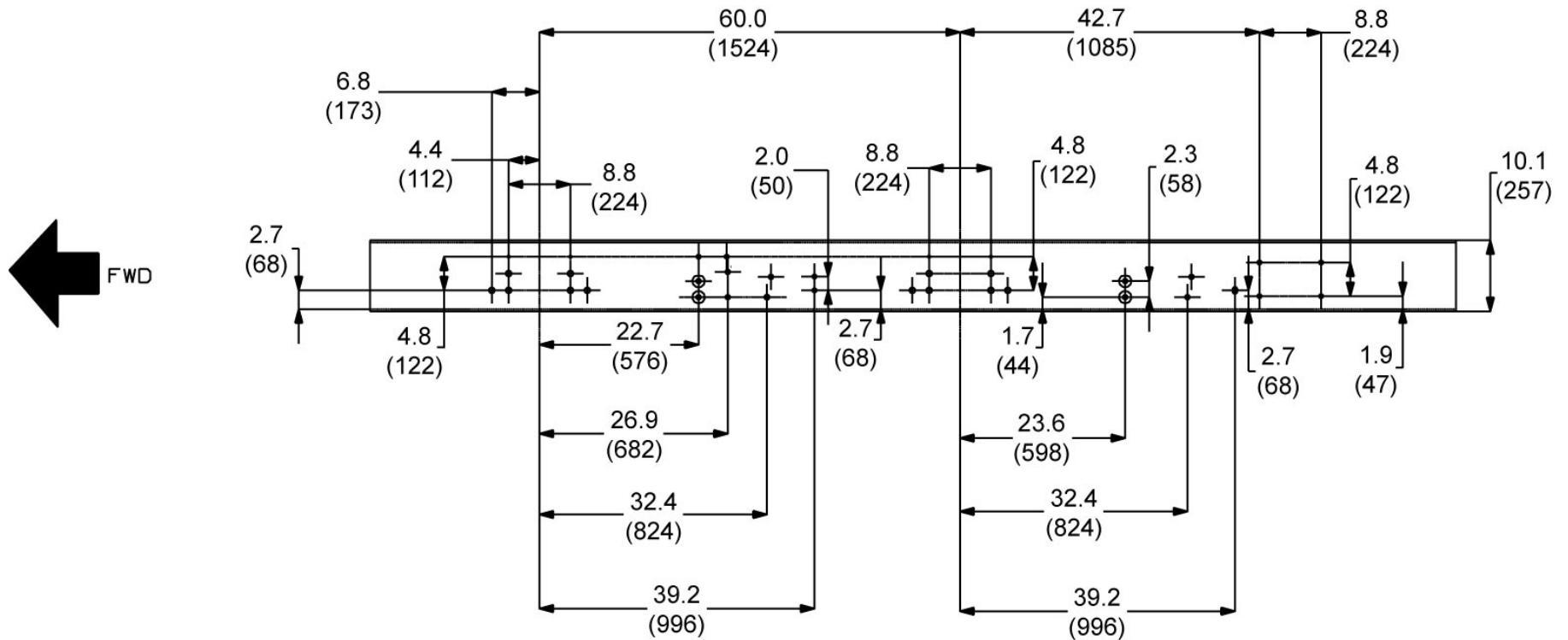
International® 4-Spring 60" (14UNS)



REAR SUSPENSION

HOLE PATTERN - 6X4

International® 4-Spring 60" (14UNS)



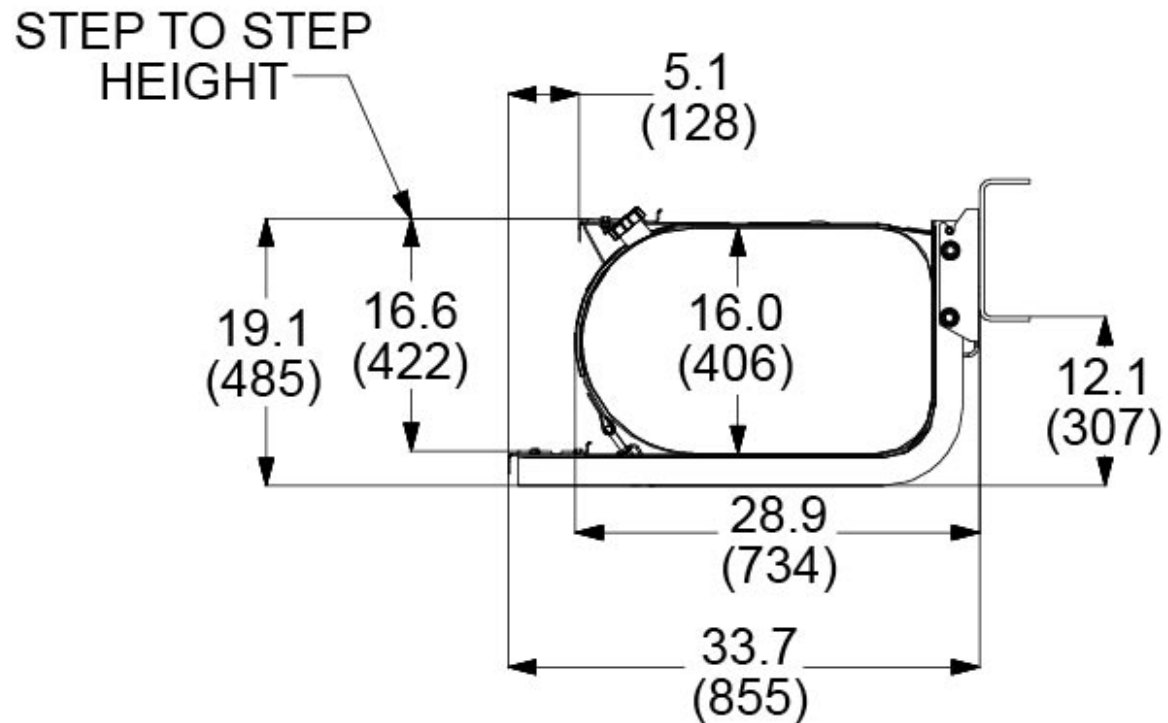
MV_14uns_holes



FUEL TANKS

FUEL TANK AND STEP LOCATION

D-Style Fuel Tank, 16" Deep Mounted Left Side Under Cab (Rear View)



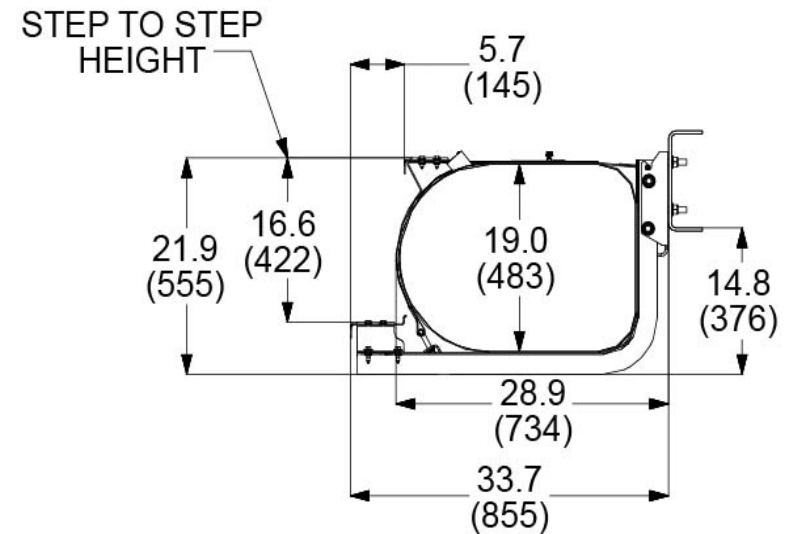
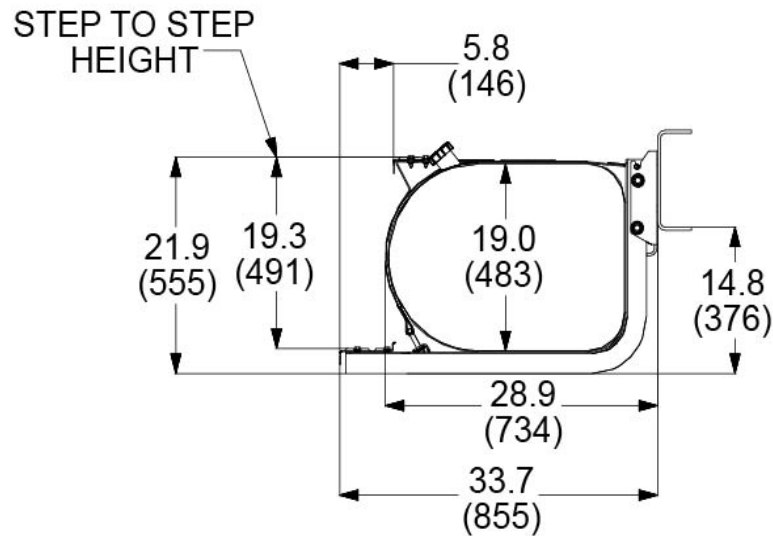
REAR VIEW OF LEFT SIDE FUEL TANK SHOWN,
RIGHT SIDE OPPOSITE

mv_d_style_16in_left_side_uc_rear_view

FUEL TANK AND STEP LOCATION

D-Style Fuel Tank, 19" Deep Mounted Left Side Under Cab (Rear View)

RAISED STEP, STEP RELOCATED

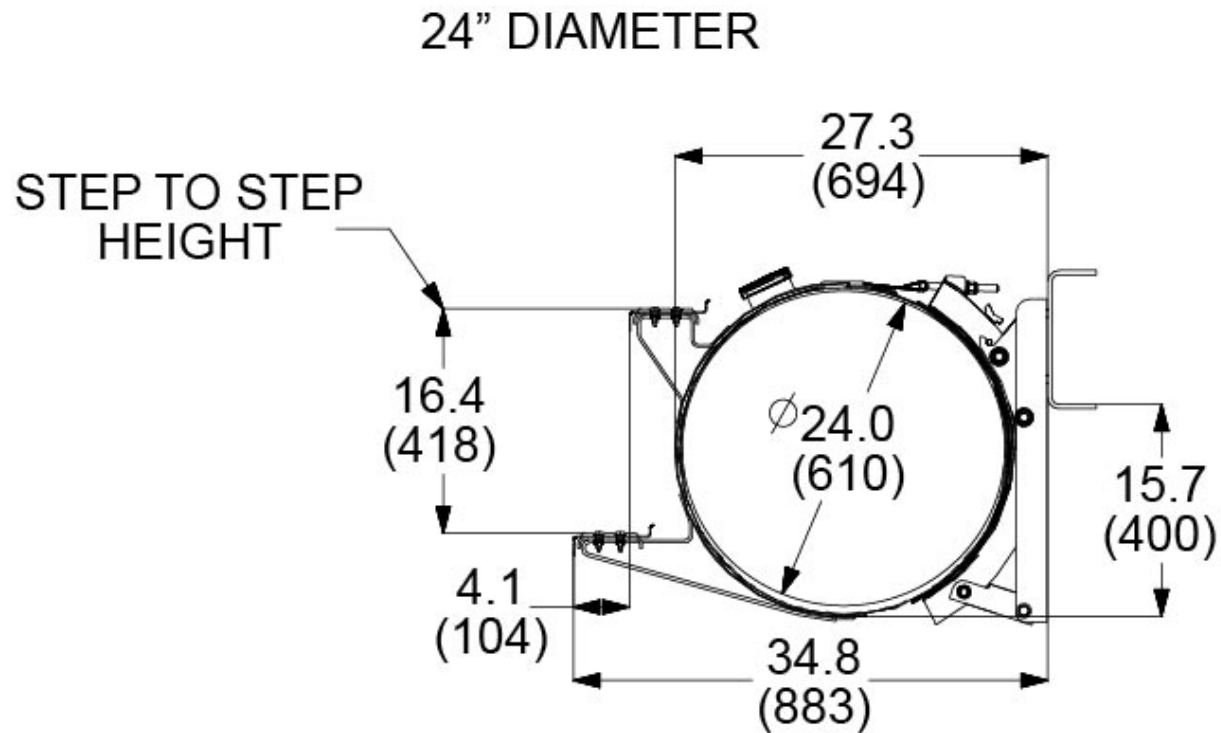


REAR VIEW OF LEFT SIDE FUEL TANK SHOWN,
 RIGHT SIDE OPPOSITE

REAR VIEW OF LEFT SIDE FUEL TANK SHOWN,
 RIGHT SIDE OPPOSITE

FUEL TANK AND STEP LOCATION

Round Fuel Tank, 24" Deep Mounted Left Side Under Cab (Rear View)

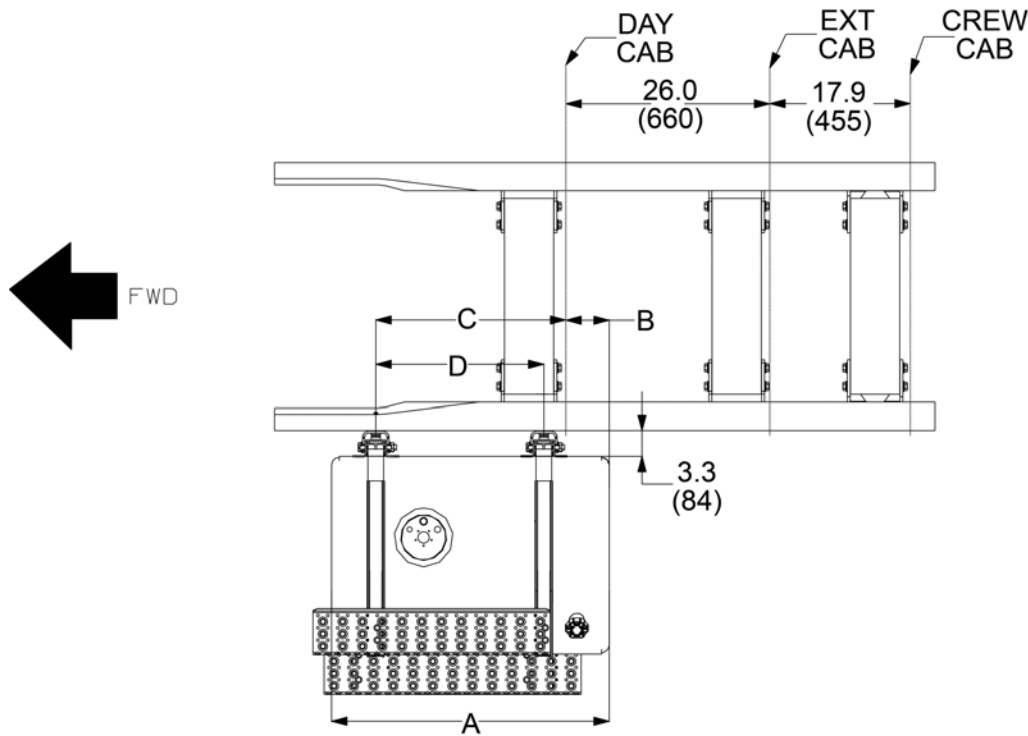


REAR VIEW OF LEFT SIDE FUEL TANK SHOWN,
RIGHT SIDE OPPOSITE

mv_round_24in_left_side_uc_rear_view

FUEL TANK AND STEP LOCATION

Single D-Style Fuel Tank with 2 Mounting Straps Mounted Left Side Under Cab (Top View)



With Under Cab DEF Tank

FEATURE CODE	TANK DEPTH	GALLONS	A	B	C	D
15SWU	16.0 (406)	40	30.4 (771)	0.5 (13)	24.2 (615)	13.9 (352)
15SGJ	16.0 (406)	50	35.4 (899)	5.5 (141)	24.2 (615)	21.4 (544)
15SRE/ 15SWY	19.0 (483)	50	30.4 (771)	0.5 (13)	24.2 (615)	13.9 (352)
15SGG/ 15SMD	19.0 (483)	70	39.4 (1000)	9.5 (242)	24.2 (615)	21.4 (544)

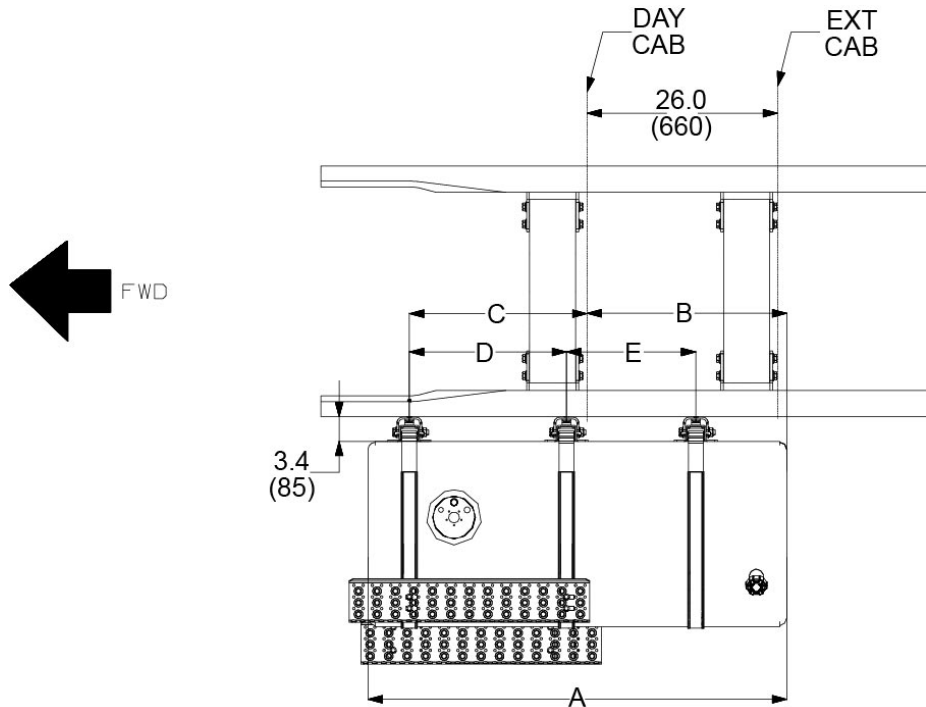
With BOC DEF Tank

FEATURE CODE	TANK DEPTH	GALLONS	A	B	C	D
15SGJ	16.0 (406)	50	35.4 (899)	-3.7 (-94)	33.0 (839)	20.2 (512)
15SGG/ 15SMD	19.0 (483)	70	39.4 (1000)	0.3 (7)	33.0 (839)	20.2 (512)

- Dim A = Fuel Tank Length
- Dim B = Back of Day Cab to End of Fuel Tank
- Dim C = Back of Day Cab to First Fuel Tank Strap
- Dim D = First to Second Fuel Tank Strap

FUEL TANK AND STEP LOCATION

Single D-Style Fuel Tank with 3 Mounting Straps Mounted Left Side Under Cab (Top View)



With Under Cab DEF Tank

FEATURE CODE	TANK DEPTH	GALLONS	A	B	C	D	E
15SGD	19.0 (483)	100	57.1 (1450)	27.2 (692)	24.2 (615)	21.4 (544)	17.6 (488)

With BOC DEF Tank

FEATURE CODE	TANK DEPTH	GALLONS	A	B	C	D	E
15SGD	19.0 (483)	100	57.1 (1450)	18.0 (459)	33.0 (839)	21.4 (544)	17.6 (488)

- Dim A = Fuel Tank Length
- Dim B = Back of Day Cab to End of Fuel Tank
- Dim C = Back of Day Cab to First Fuel Tank Strap
- Dim D = First to Second Fuel Tank Strap
- Dim E = Second to Third Fuel Tank Strap

mv_d_style_tank_w_3_straps_left_side_uc_top_view

FUEL TANK AND STEP LOCATION

Single D-Style Fuel Tank with 2 Mounting Straps Mounted Right Side Under Cab (Top View)

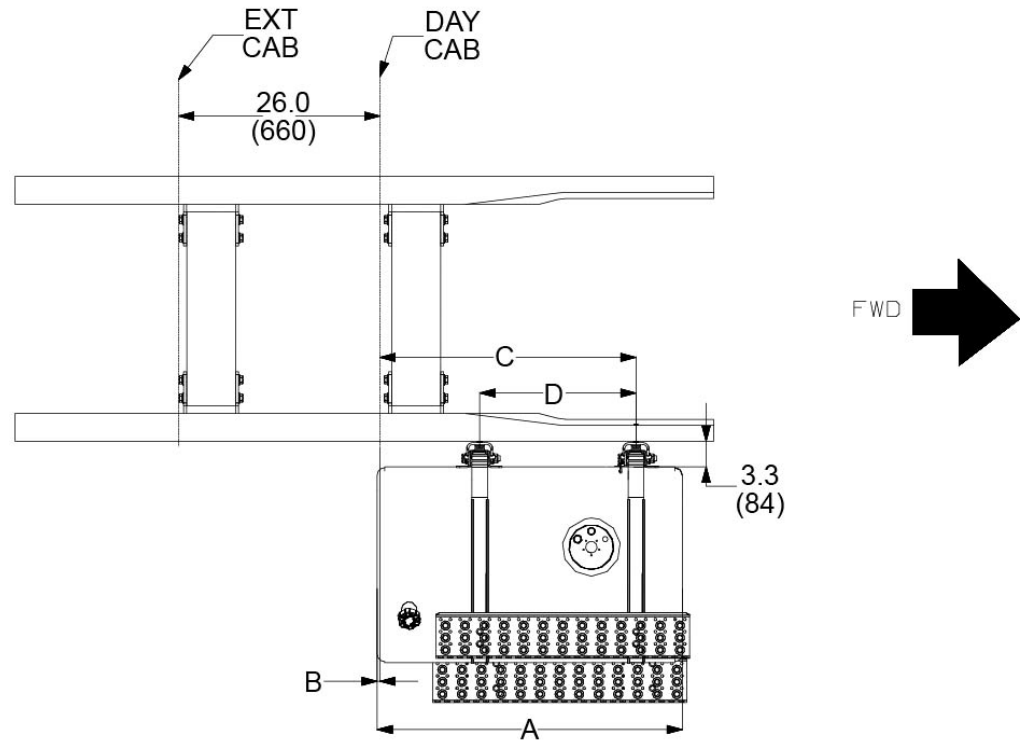
Without 07BLP or 07BLS Exhaust

FEATURE CODE	TANK DEPTH	GALLONS	A	B	C	D
15SGK	16.0 (406)	50	35.4 (899)	-3.6 (-92)	33.0 (839)	20.2 (512)
15SGH/ 15SME	19.0 (483)	70	39.4 (1000)	0.4 (9)	33.0 (839)	20.2 (512)

With 07BLP or 07BLS Exhaust

FEATURE CODE	TANK DEPTH	GALLONS	A	B	C	D
15SGK	16.0 (406)	50	34.6 (880)	-5.0 (-127)	31.8 (807)	16.4 (416)
15SGH/ 15SME	19.0 (483)	70	39.4 (1000)	-0.3 (-7)	31.8 (807)	16.4 (416)

- Dim A = Fuel Tank Length
- Dim B = Back of Day Cab to End of Fuel Tank
- Dim C = Back of Day Cab to First Fuel Tank Strap
- Dim D = First to Second Fuel Tank Strap



mv_d_style_tank_w_2_straps_right_side_uc_top_view

FUEL TANK AND STEP LOCATION

Single D-Style Fuel Tank with 3 Mounting Straps Mounted Right Side Under Cab (Top View)

FEATURE CODE	TANK DEPTH	GALLONS	A	B	C	D	E
15SGE	19.0 (483)	100	57.1 (1450)	18.1 (459)	33.1 (841)	20.2 (512)	21.4 (544)

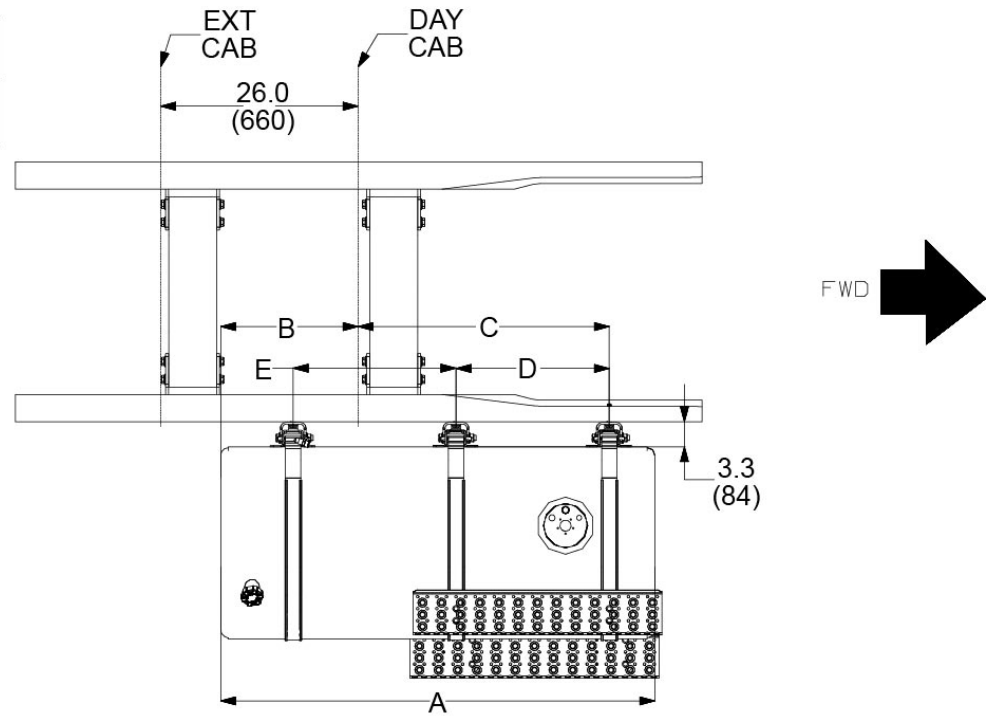
Dim A = Fuel Tank Length

Dim B = Back of Day Cab to End of Fuel Tank

Dim C = Back of Day Cab to First Fuel Tank Strap

Dim D = First to Second Fuel Tank Strap

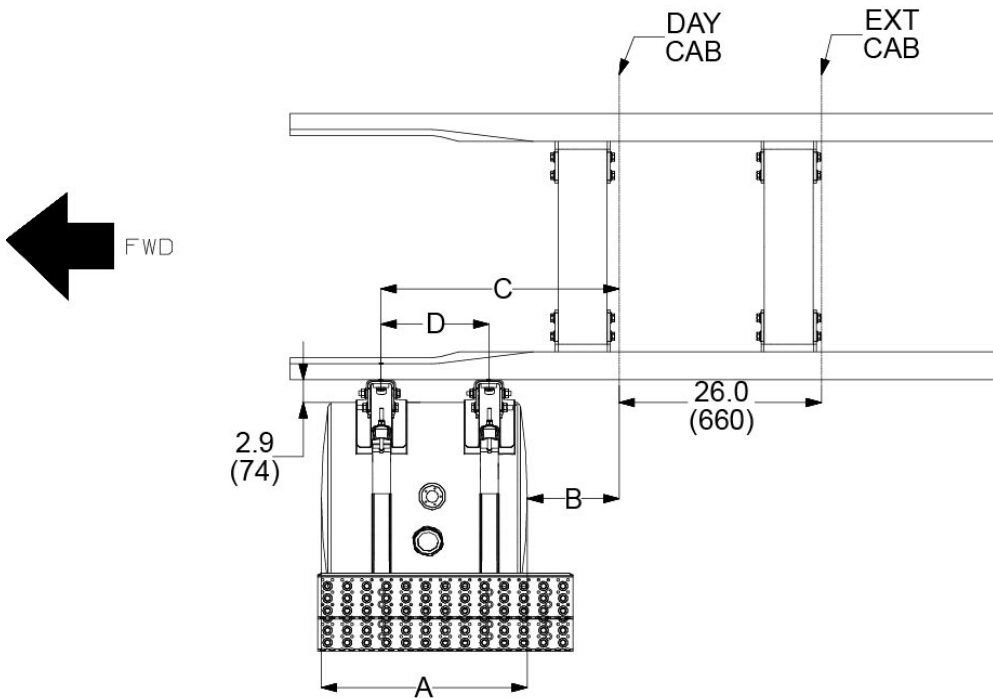
Dim E = Second to Third Fuel Tank Strap



mv_d_style_tank_w_3_straps_right_side_uc_top_view

FUEL TANK AND STEP LOCATION

Single Round Fuel Tank with 2 Mounting Straps Mounted Left Side Under Cab (Top View)



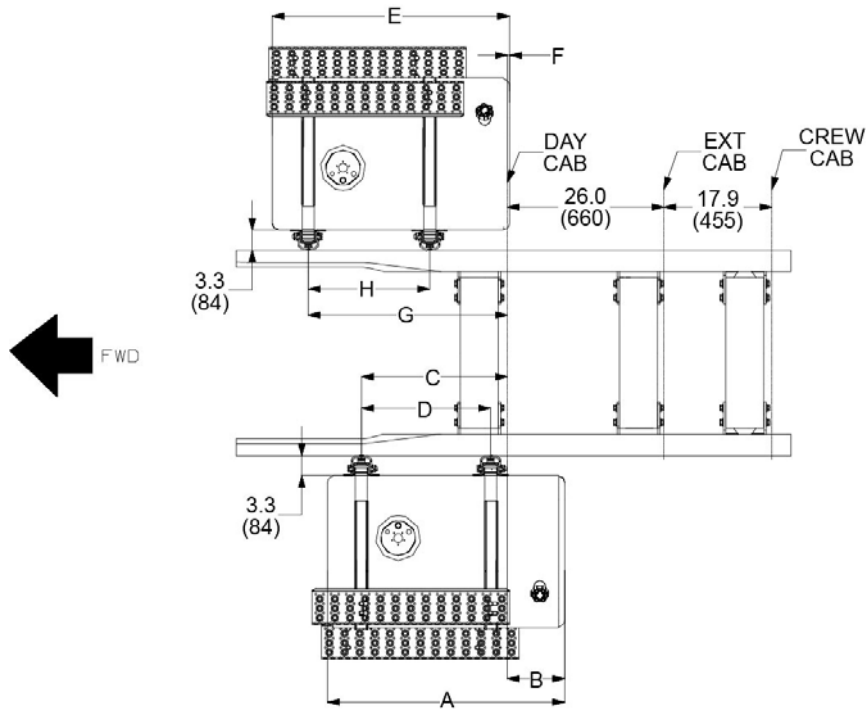
FEATURE CODE	TANK DEPTH	GALLONS	A	B	C	D
15SXJ/ 15SXK	24.0 (609)	50	26.5 (671)	11.8 (300)	30.6 (777)	13.9 (352)

Dim A = Fuel Tank Length
 Dim B = Back of Day Cab to End of Fuel Tank
 Dim C = Back of Day Cab to First Fuel Tank Strap
 Dim D = First to Second Fuel Tank Strap

mv_round_tank_w_2_strap_left_side_uc_top_view.

FUEL TANK AND STEP LOCATION

Dual D-Style Fuel Tank with 2 Mounting Straps Mounted Under Cab (Top View)



With Under Cab DEF Tank without 07BLP or 07BLS Exhaust

FEATURE CODE	TANK DEPTH	GALLONS	A	B	C	D	E	F	G	H
15DYT/ 15DYU	16.0 (406)	40/50	30.4 (771)	0.5 (13)	24.2 (615)	13.9 (352)	35.4 (899)	-3.6 (-92)	33.0 (839)	20.2 (512)
15DYZ/ 15DZA	19.0 (483)	50/70	30.4 (771)	0.5 (13)	24.2 (615)	13.9 (352)	39.5 (1000)	0.4 (9)	33.0 (839)	20.2 (512)
15DMV/ 15DYS	19.0 (483)	70/70	39.4 (1000)	9.5 (242)	24.2 (615)	21.4 (544)	39.4 (1000)	0.4 (9)	33.0 (839)	20.2 (512)

With BOC DEF Tank and 07BLP or 07BLS Exhaust

FEATURE CODE	TANK DEPTH	GALLONS	A	B	C	D	E	F	G	H
15DMV/ 15DYS	19.0 (483)	70/70	39.4 (1000)	0.3 (7)	33.0 (839)	20.2 (512)	38.4 (1000)	0.3 (7)	31.8 (807)	16.4 (416)

- Dim A = Left Side Fuel Tank Length
- Dim B = Back of Day Cab to End of Left Side Fuel Tank
- Dim C = Back of Day Cab to Left Side First Fuel Tank Strap
- Dim D = Left Side First to Second Fuel Tank Strap
- Dim E = Right Side Fuel Tank Length
- Dim F = Back of Day Cab to End of Right Side Fuel Tank
- Dim G = Back of Day Cab to Right Side First Fuel Tank Strap
- Dim H = Right Side First to Second Fuel Tank Strap

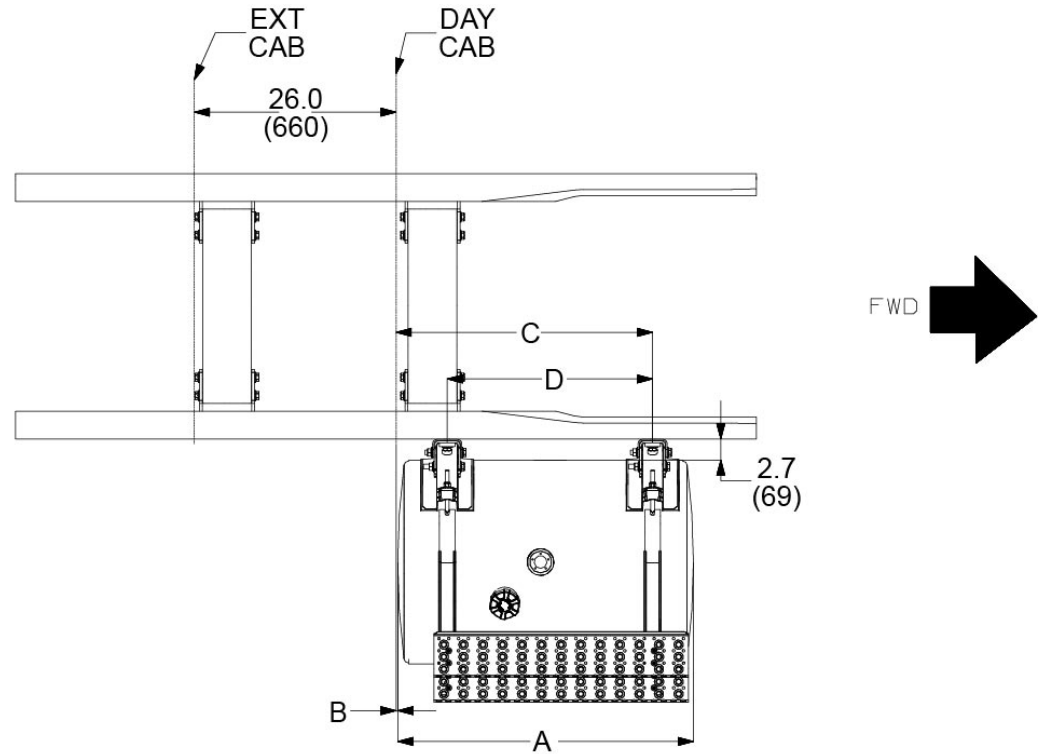
mv_d_style_tank_w_2_straps_dual_under_cab_top_view

FUEL TANK AND STEP LOCATION

Single Round Fuel Tank with 2 Mounting Straps Mounted Right Side Under Cab (Top View)

FEATURE CODE	TANK DEPTH	GALLONS	A	B	C	D
15SJM/ 15SJN	26.0 (660)	80	38.1 (967)	-0.2 (-5)	33.0 (839)	26.5 (672)

Dim A = Fuel Tank Length
 Dim B = Back of Day Cab to End of Fuel Tank
 Dim C = Back of Day Cab to First Fuel Tank Strap
 Dim D = First to Second Fuel Tank Strap

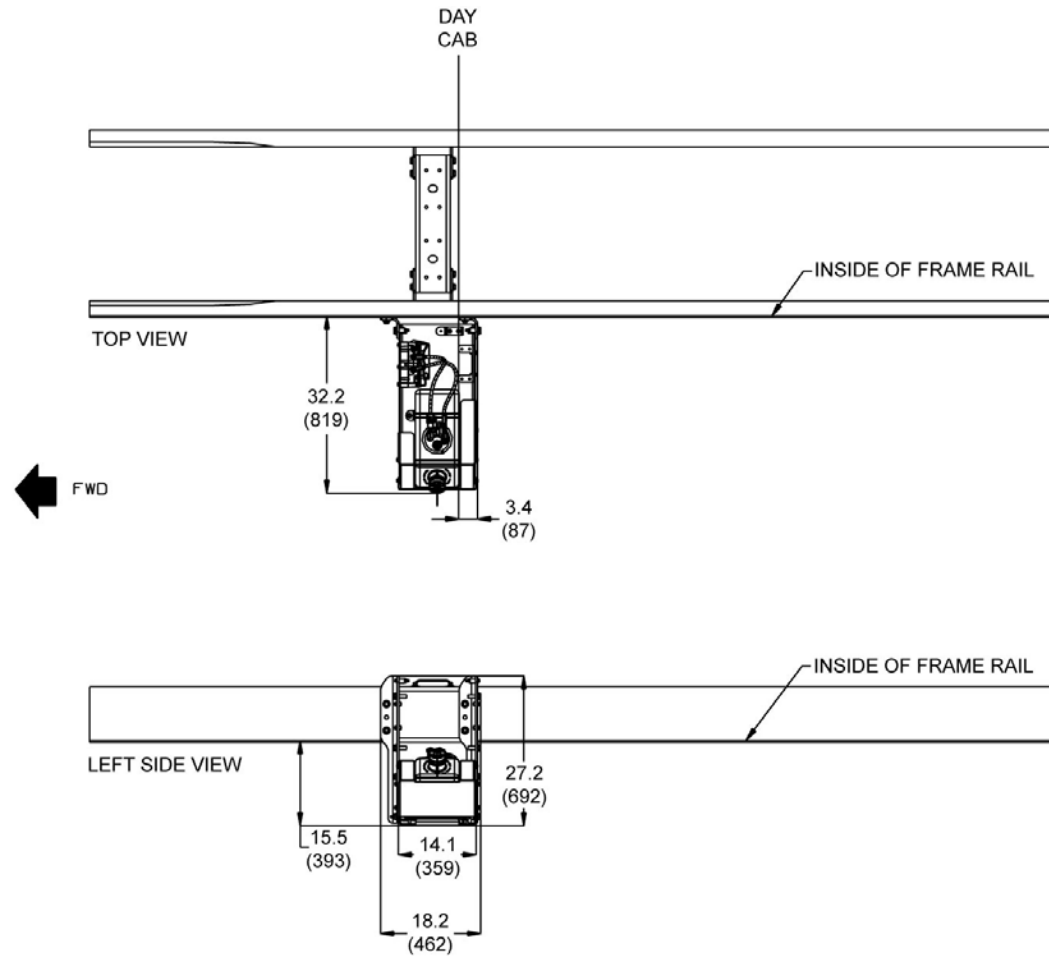


hv_md_round_tank_w_2_strap_right_side_uc_top_view

DEF TANK LOCATION

Day Cab

Frame Mounted Outside Left Rail, Under Cab; 5 Gallon Capacity (15WCN)

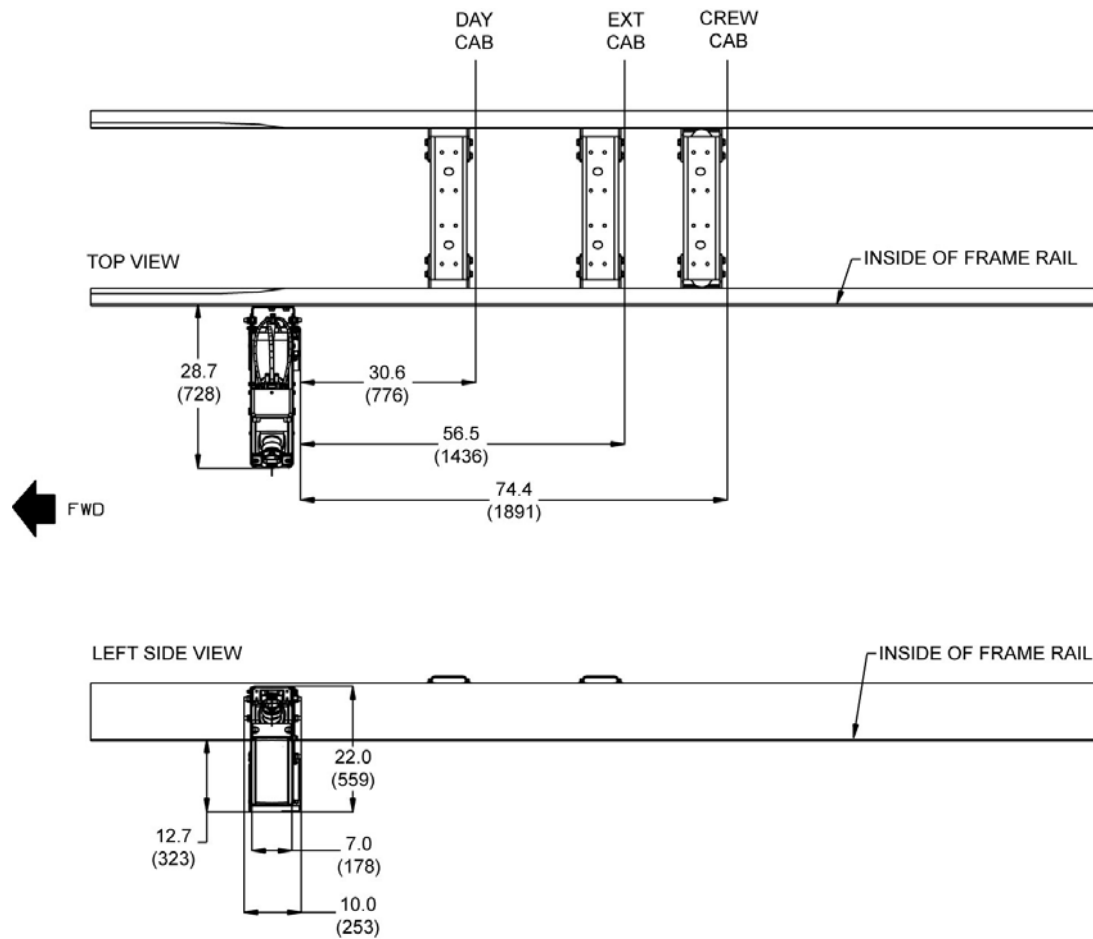


MV_15wcn_day_top_side_view

DEF TANK LOCATION

Crew Cab

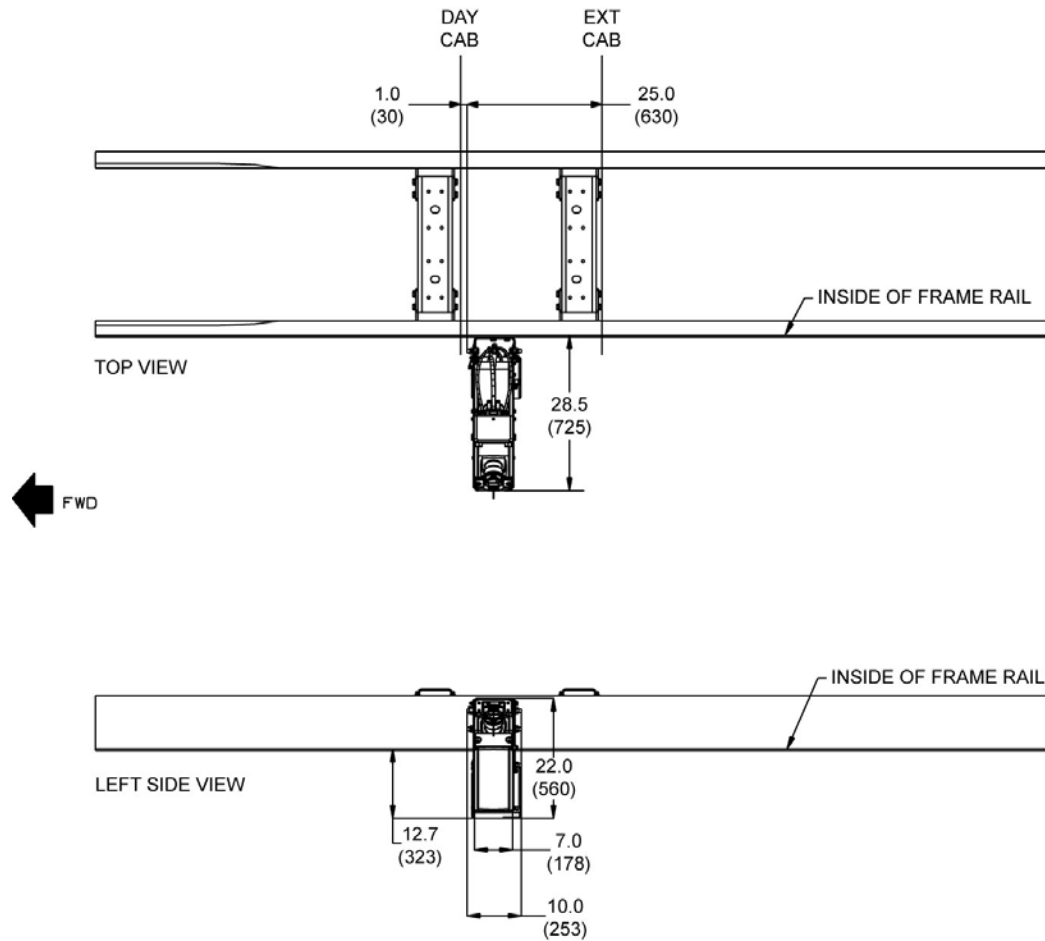
Frame Mounted Outside Left Rail, Under Cab; 7 Gallon Capacity (15WDG)



DEF TANK LOCATION

Day and Extended Cab

Frame Mounted Outside Left Rail, Back of Cab; 7 Gallon Capacity (15WDH)

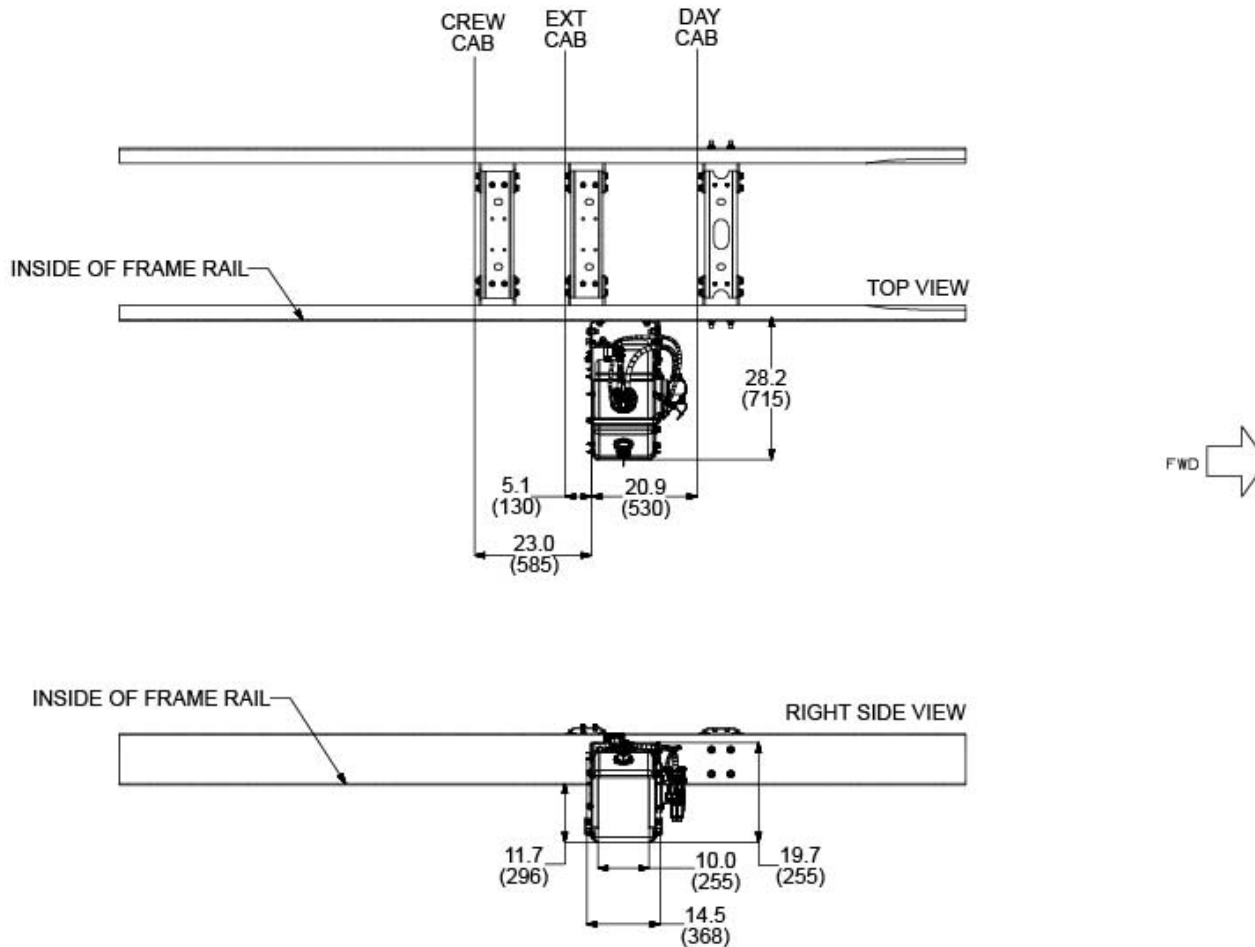


MV_15wdh_day_extended_top_side_view

DEF TANK LOCATION

Day and Extended Cab

Frame Mounted Outside Right Rail, Back of Cab; 15 Gallon Capacity (15WDL)



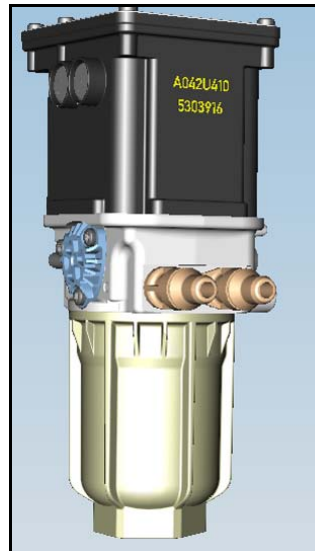
DEF SYSTEM AND AFTERTREATMENT INFORMATION

All Models

The following section is intended to give you information regarding the exhaust and aftertreatment systems on International chassis.

International trucks equipped with 2013 engines utilize Selective Catalyst Reduction (SCR). SCR is a chemical reaction in which Diesel Exhaust Fluid (DEF) is injected into the exhaust downstream of the oxidation catalyst where it converts nitrous oxide into ammonia and simpler nitrogen oxides. For more information on the specific details of how SCR works, please refer to this fact sheet from USEPA: <http://www.epa.gov/ttn/catc/dir1/fscr.pdf>.

On most International chassis the DEF Supply Module (or Pump) is integrated into the DEF tank. Navistar, Inc. does not authorize or endorse relocation of the DEF Supply Module. The following schematic details how the DEF lines route to the after-treatment system.



DEF Supply Module

15_0229

DEF SYSTEM AND AFTERTREATMENT INFORMATION

DEF will freeze at approximately 12°F (-11°C). In order to thaw DEF all tanks are heated with engine coolant. The coolant lines that run to and from the SCR system must not be tampered with, or used for a source of heat and/or cooling for other components on the chassis. It is critical that the system is not compromised in any manner.

Installation Requirements and Dimensions for DEF System

When relocating any DEF system components, the locations must meet the guidelines below. Failure to comply may cause non-conformance to EPA standards and may result in engine power loss or shutdown. Body Builders must not modify (including altering, substituting, and relocating) the DPF/SCR catalysts and the pre DPF/SCR exhaust piping. The downstream SCR catalyst exhaust may be modified, however using smaller diameter piping or piping with numerous bends is not recommended as the backpressure specification of the system may be exceeded causing engine power loss or shutdown conditions.

DEF line routing relative heights: In order to ensure proper functionality of the DEF system, the height differences in the guidelines below must be followed during the line routing and component placement.

With all relocating procedures, general clearances and routing guidelines must be followed.

When relocating the components the maximum pressure DEF line length, from the Supply Module to the Dosing Module, is 3 meters (118”).

Maintain a minimum of 4” clearance to shielded exhaust components and 6” to unshielded exhaust components when routing DEF lines to prevent possible melting.

If the DEF tank is relocated, the coolant line will need to be modified. If the tank is moved fore or aft along the chassis (i.e. closer or further to the engine) it will be necessary to remove or add length to the coolant lines and maintain the original routing path. If additional length of coolant line is required the installation must be located in a straight section of the existing coolant routing lines. The clipping locations for the coolant line must not be changed. This process will minimize the change in coolant flow by minimizing changes in restrictions. Changes in restriction are added with excessive line length and additional bends. Work with your local Navistar, Inc. dealer if you are unsure about coolant line modifications.

Modifications of the DEF Injection coolant lines are not allowed. Movement of the DEF coolant tee's and coolant valve are not allowed.

CAB

AIR CONDITIONING SYSTEM MODIFICATIONS

All Models

The HVAC system provided with International® trucks should not be modified. NO additional components should be added to the factory installed HVAC system as it is delivered from the manufacturer. If additional air conditioning capacity is needed, a completely independent system should be added to handle the additional load requirements of the Body Builder. There are additional costs for a second system; it would however, provide for optimal performance from both HVAC systems.

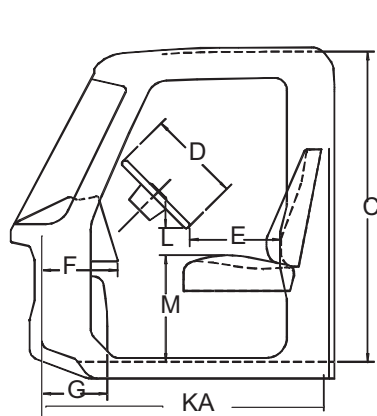
THE FACTORY INSTALLED SYSTEM CANNOT BE MODIFIED IN ANY MANNER. MODIFICATION OF THE HVAC SYSTEM WILL VOID THE INTERNATIONAL WARRANTY ON THAT SYSTEM.

There are several reasons why HVAC system modifications are not permitted.

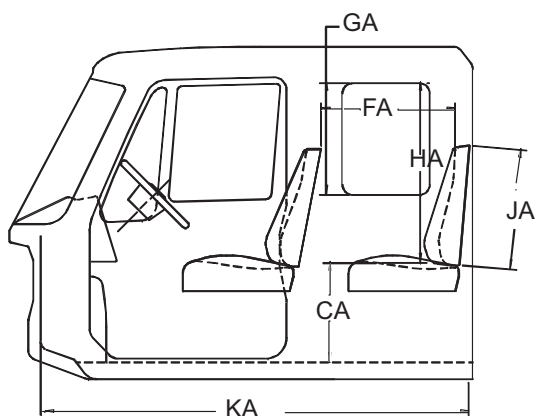
- The factory installed HVAC system is *optimized* for the evaporator, condenser and compressor combination on the vehicle. To introduce an additional evaporator (or other components) into the system will create an imbalance and unsatisfactory performance.
- The Refrigerant Control and Diagnostics (RCD) software that resides in the vehicle's body computer is designed to monitor the factory installed AC system only. Adding any additional equipment or components to the original air conditioning system will introduce conditions that the RCD software will interpret as out-of-specification conditions and cause faults to be logged.
- The factory compressor clutch is cycled by the RCD software residing in the ESC of the vehicle. Modification of this control system to add an auxiliary system could result in damage to other vehicle components.
- Since the HVAC system has been optimized for the factory components, there is no extra condenser capacity available for an auxiliary evaporator.

CAB DIMENSIONS

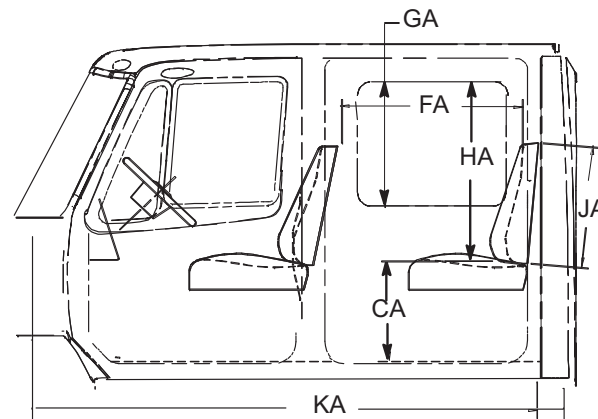
All Models



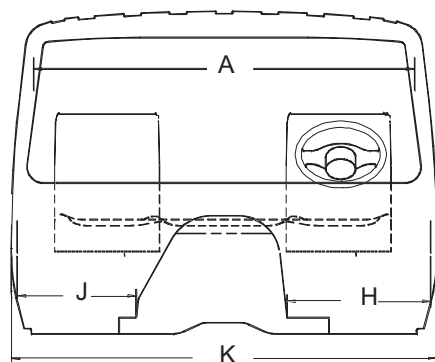
STANDARD CAB



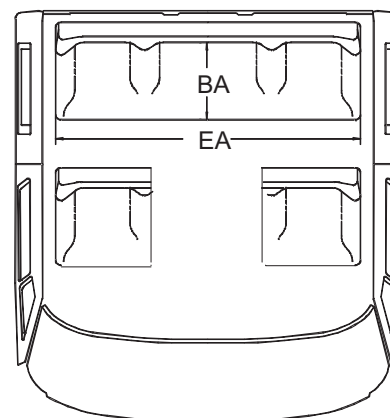
EXTENDED CAB



CREW CAB



FRONT VIEW



TOP VIEW

CAB DIMENSIONS (CONTINUED)

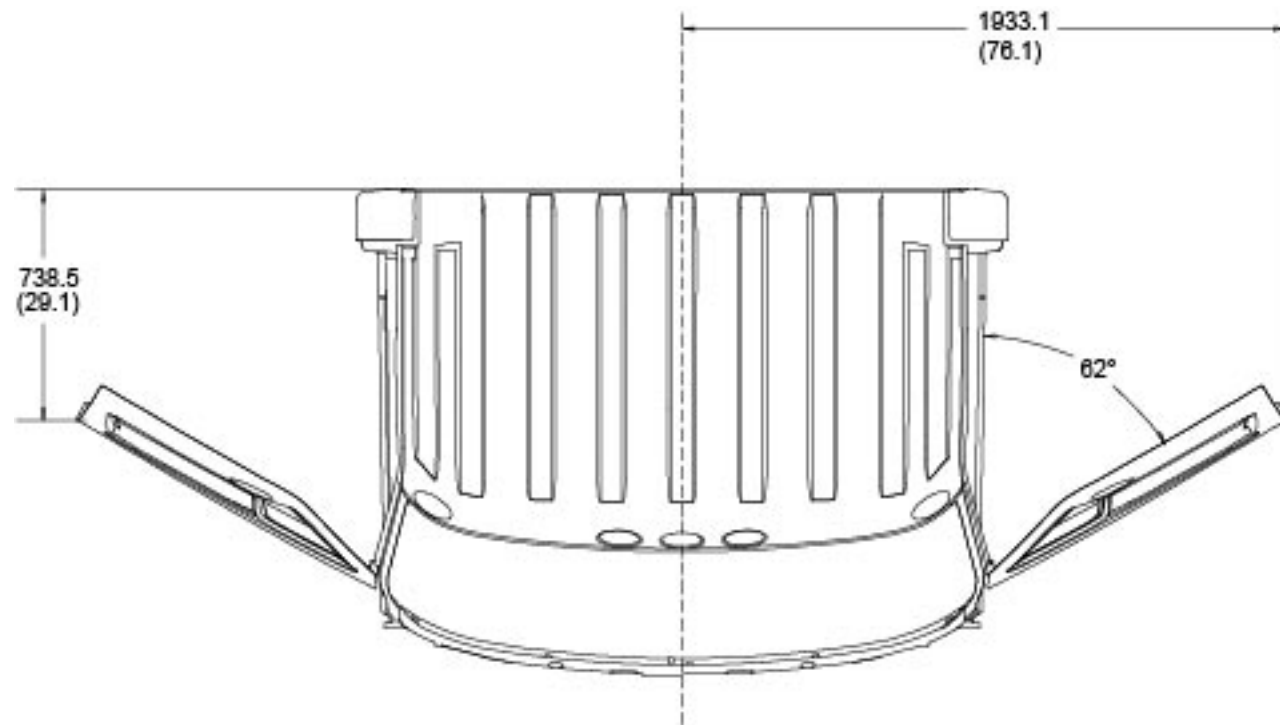
All Models

Key	Description	Dimension – Inches		
		Regular Cab	Extended Cab	Crew Cab
A	Shoulder Room	70.6		
C	Inside Height	56.8		
D	Steering Wheel Diameter	18.0		
E	Steering Wheel to Seat Back (Maximum)	18.2		
F	Bottom of Instrument Panel to Dash	13.9		
G	Engine Cover Width	Cummins® B6.7 / L9 = 11.7		
H	Lateral Foot Room - Driver	20.2		
J	Lateral Foot Room - Passenger	18.8		
K	Outside Cab Width	82.2		
L	Steering Wheel to Top of Seat Cushion	5.8		
M	Top of Front Seat Cushion to Floor	19.6		
–	Driver Seat Track Travel	Fixed Seat: 7.9" fore/aft Air Suspension Seat: 7.4" mm fore/aft		
BA	Rear Seat Cushion Depth	–	18.0	
CA	Top of Rear Seat Cushion to Floor	–	19.0	
EA	Rear Seat Width	–	65.0	
FA	Rear Seat Spacing	–	23.2	40.2
GA	Rear Side Window Height	–	21.8	21.0
HA	Rear Seat Cushion to Top of Window	–	33.4	32.6
JA	Rear Seat Back Height	–	22.4	
KA	Inside Length	52.4	79.0	96

DOOR SWING CLEARANCE

All Models

Day Cab

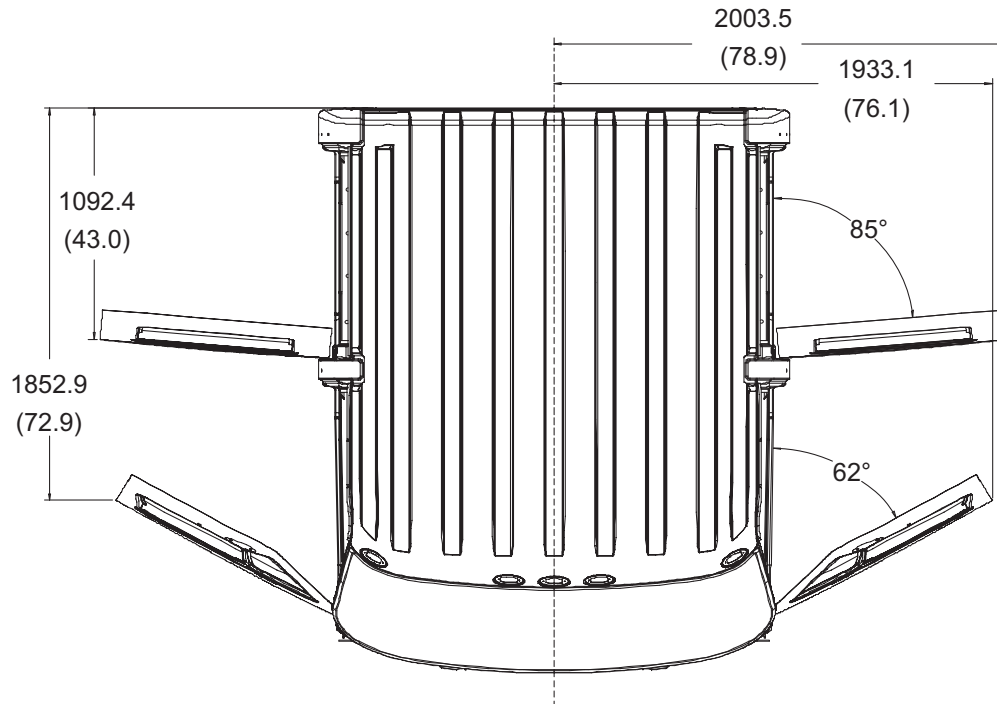


16_0010

DOOR SWING CLEARANCE (CONTINUED)

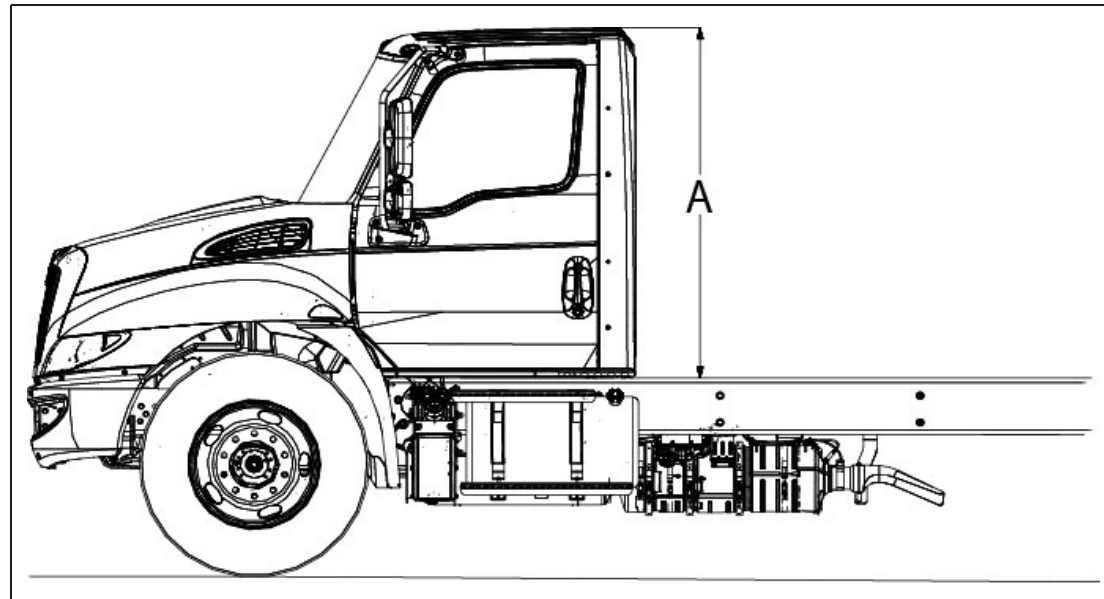
All Models

Crew Cab



16_0112

CAB REAR SUSPENSION



16_0488

Cab Rear Suspension - Cab Height (in/mm)		
Cab Description	MV607	MV60H
Day & Extended Cab	Cab Height Dimension (A)	Cab Height Dimension (A)
Low Cab (16VLM)	62.8 (1594)	63.8 (1620)
Mid Cab (16VLK)	66.7 (1694)	67.7 (1720)
Crew Cab	Cab Height Dimension (A)	Cab Height Dimension (A)
Low Cab (16VLL)	62.8 (1594)	63.8 (1620)
Mid Cab (16VLK)	66.7 (1694)	67.7 (1720)

INSTRUMENT PANEL

All Models

PENDING

6_0011

NOTE: It is not recommended to add any accessory to the instrument panel. If an accessory must be added, it must be attached to the tie bar and framework.





Navistar, Inc.
2701 Navistar Drive
Lisle, IL 60532