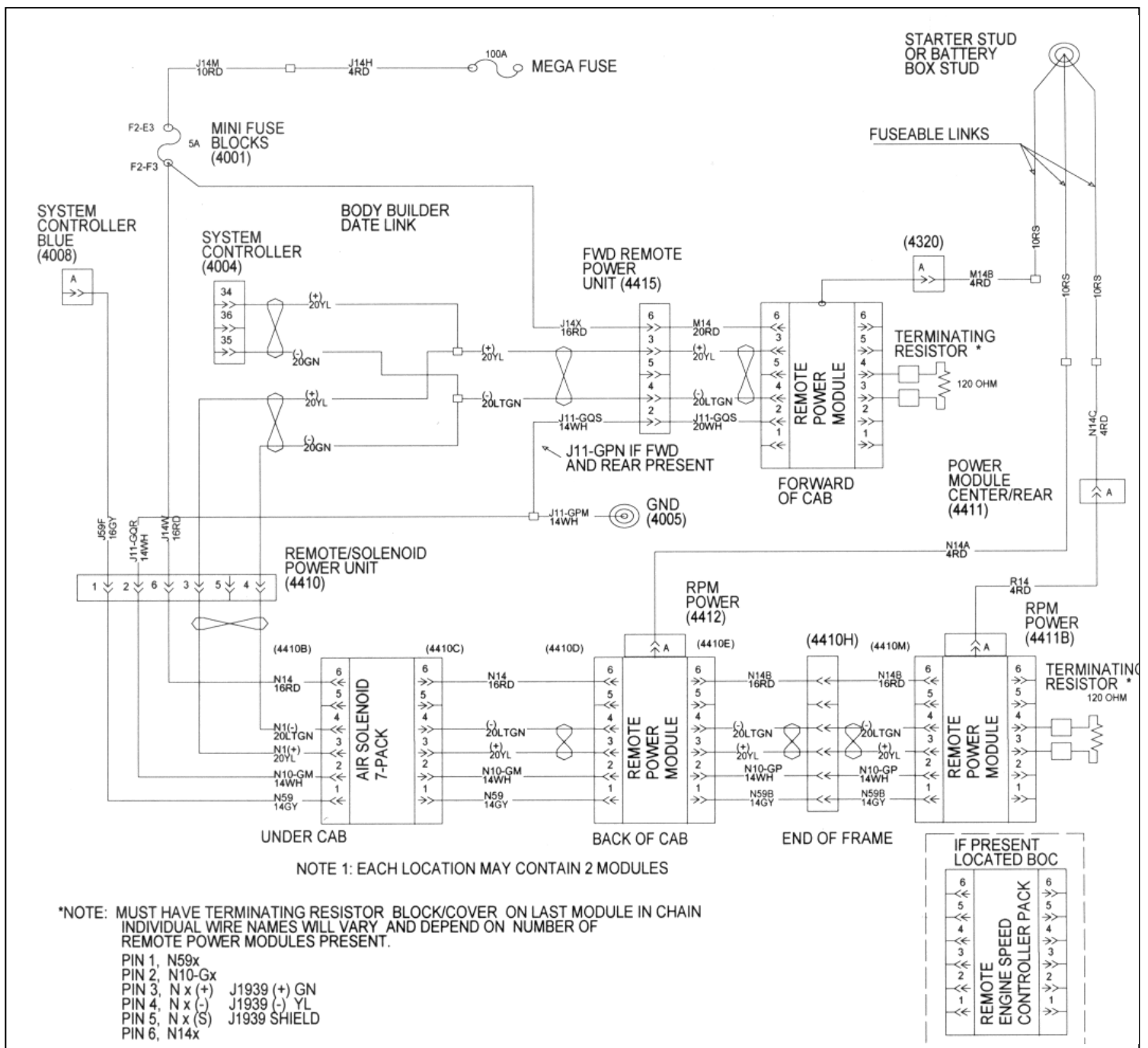


SUBJECT: KIT,REMOTE ENG SPD CONTROLLER (RESCM)

Installation Instructions

Note: This kit is intended for vehicles not previously equipped with either a RPM or RESCM.

1. Install J11-GPN and J11-GQR to ground stud 4005 near Power Distribution Panel
2. Insert J14W & J14X {Red} into the Power Distribution Panel (4001) cavity F2-F3
3. Insert J5M(+) {Yellow} into Electronic System Controller (4004) cavity 34.
4. Insert J5M(-) {Green} into Electronic System Controller (4004) cavity 35.
5. Insert the terminating resistor into connector (4415) if not using a Forward of cab RPM or in Forward RPM if using the forward RPM.
6. Insert J59F {Gray} into the Electronic System Controller (4008) cavity A.
7. Insert 5 amp fuse into cavity F2-F3 of the power Distribution Panel



If an Air Solenoid 7-Pack is not present, plug connector into first RESCM at back of cab.

This Kit is for left mounted battery box. If truck has right mounted battery box, add 3558936C91.

If adding one RPM and one RESCM use jumper 3558937C91 from RPM to RESCM.

Use the following as a guide If RPM/RESCM brackets are needed.

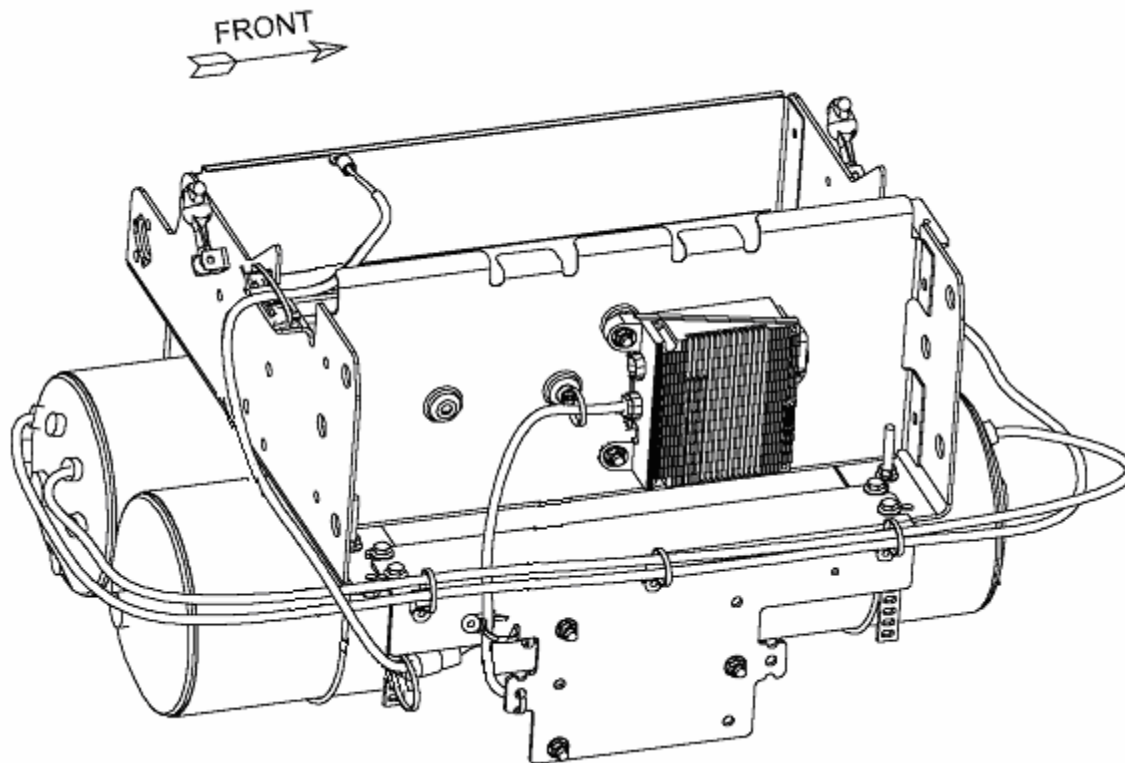
4000 Models:

Bracket for second RPM/RESCM - 3558794C1

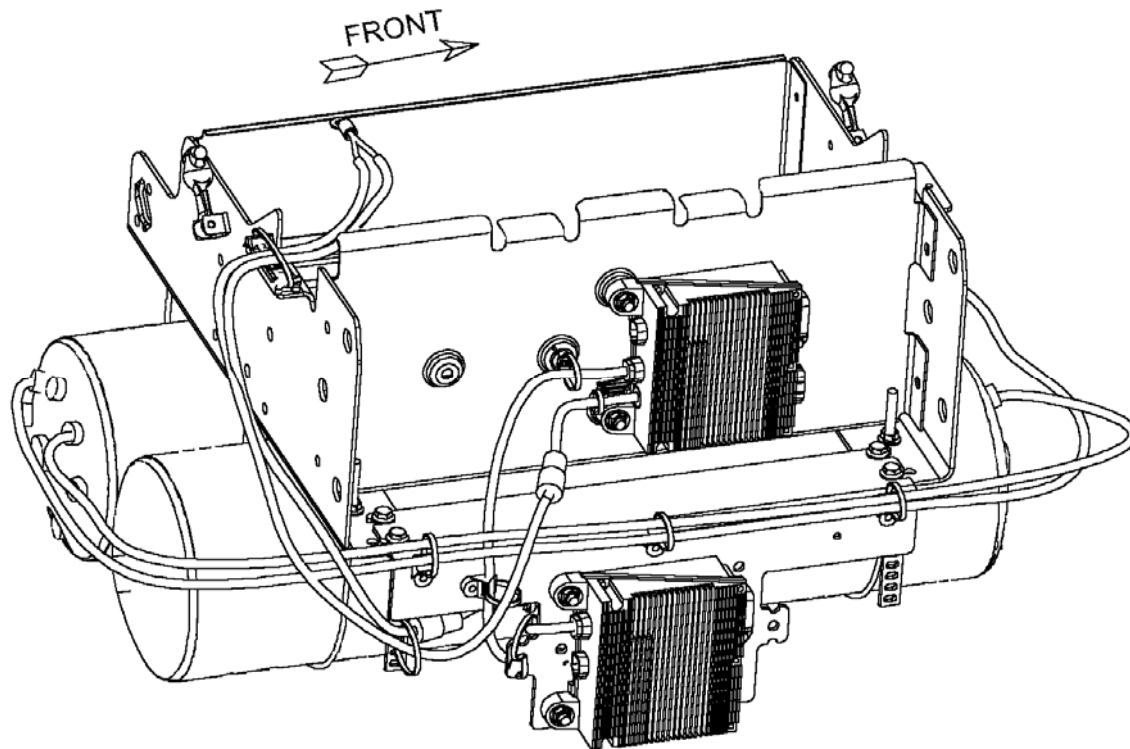
7000 Models(1 RPM and/or 1 RESCM):

Day Cab – 3582976C2

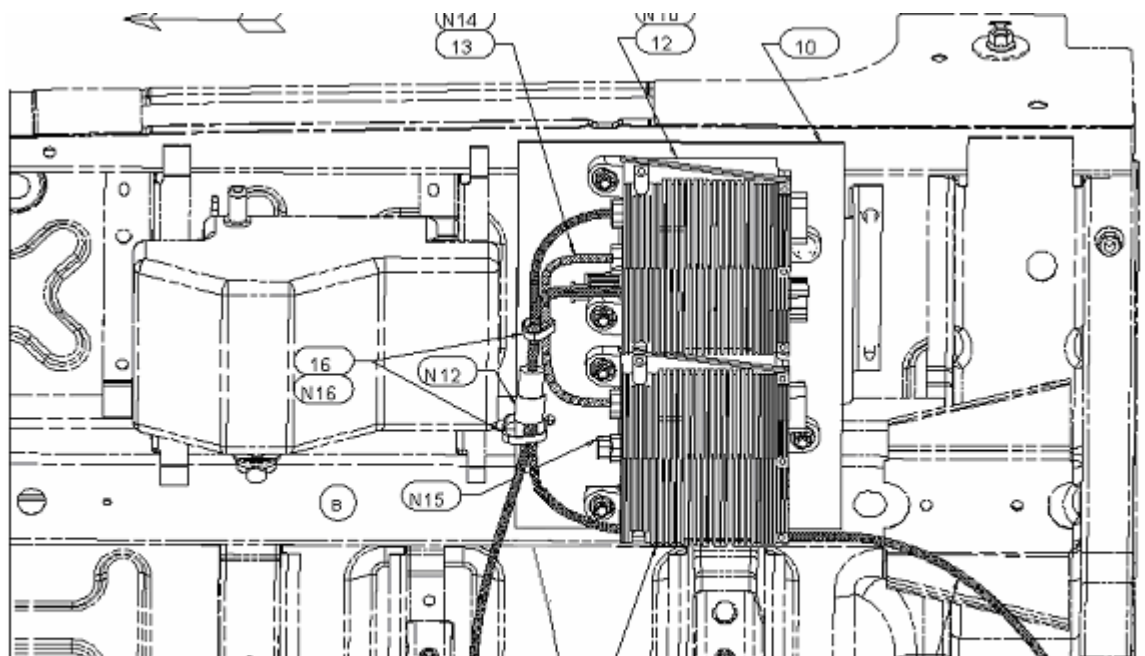
Crew/Extended Cab – 3582983C2



4000 Single RESCM



4000 with 1 RPM & 1 RESCM



7000 Models under cab mounting.

Note: The RESCM is enabled to operate through reprogramming of the Vehicle Electrical System Controller. See your local International dealer.

Installation of Remote Engine Speed Controller Module address jumpers.

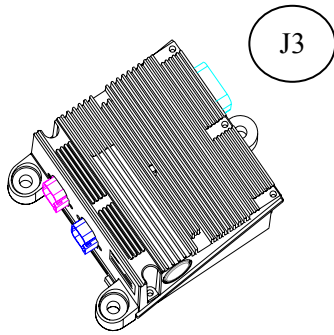


Figure 1

J3 23-way Connector

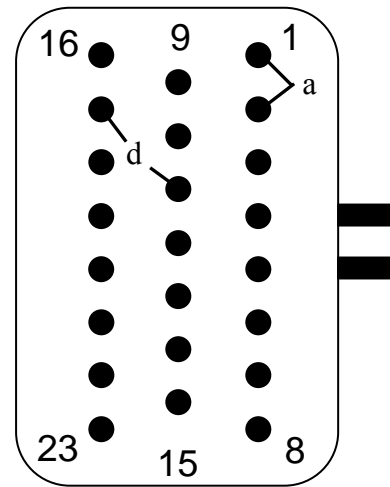


Figure 2

Addressing Remote Power Modules

The Remote Engine Speed Control Module requires a jumper to tell the system controller what module it is controlling.

Jumpers are to be installed in a 23- way connector in location J3 shown in figure 1.

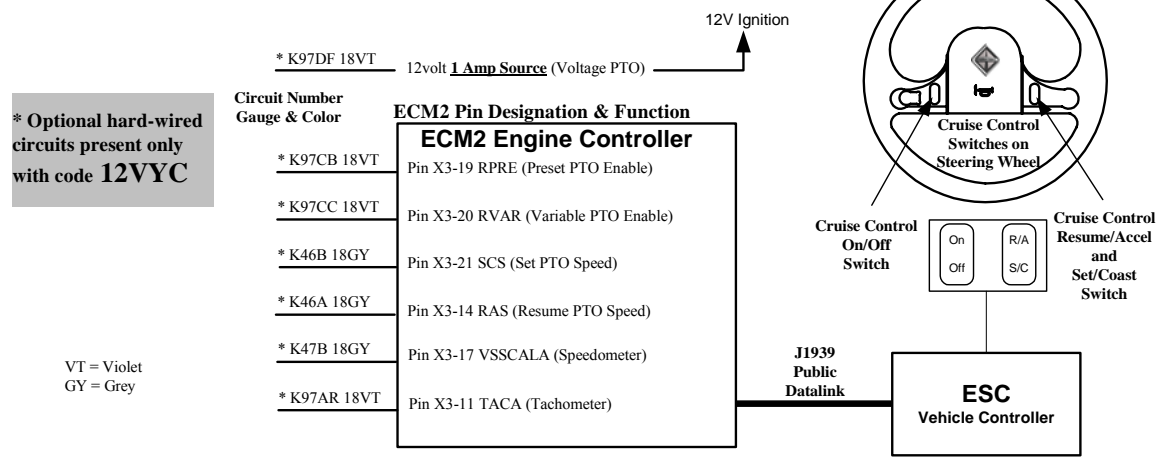
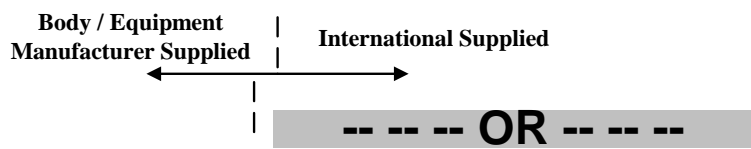
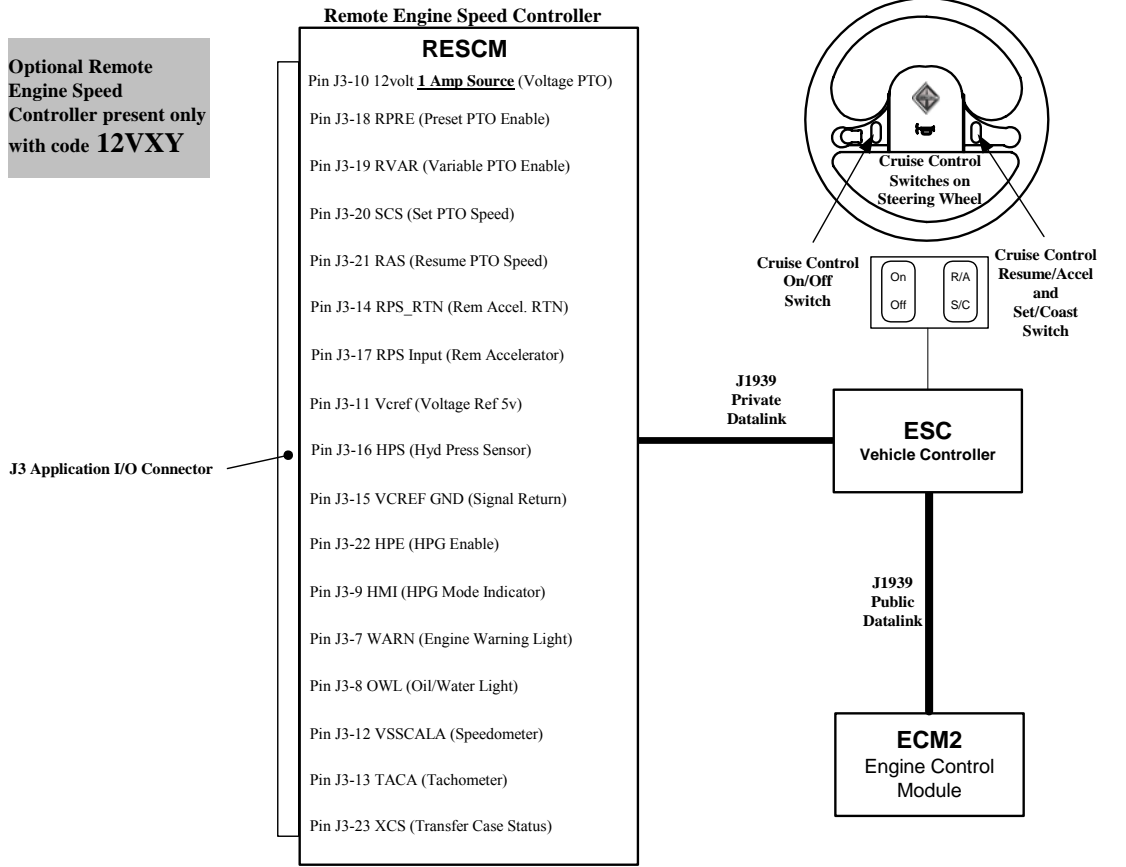
Jumper wire color	Module	Cavity Loc. (Figure 2)
Red wire	Remote Engine Speed Controller	a
365KΩ 1/4W 1% Black	Remote Engine Speed Controller	d

Warning: When Adding a Remote Engine Speed Control Module, parameter 595034 in the Electronic System Controller must be set.
See an International Authorized Dealer

For wiring and usage of the RESCM see Drawing below:

Body Builder Data

ECM2 Electronic Engine Control Features and Programmable Parameters For (VT365 I-313)



Pin Assignments for the RESCM Input connector J3

Pin	Signal Name	Signal Direction	Application
1	Module Select Common	Zero Volt Reference	Address ground pin
2	Module Select #1	Digital input	Address pin 1
3	Module Select Common	Zero Volt Reference	Address ground pin
4	Module Select #2	Digital input	Address pin 2
5	Module Select Common	Zero Volt Reference	Address ground pin
6	Module Select #3	Digital input	Address pin 3
7	Output #1	Low side driver	Amber Warn Lamp
8	Output #2	Low side driver	Red Stop Lamp
9	Output #3	Low side relay driver	HPG Mode Indicator
10	Output #4	Output-12 V, 1 Amp	Battery Output
11	Output #5	Output-5 V Ref.	5 Volt Reference
12	Output #6	Freq. Output #1	Speedometer output
13	Output #7	Freq. Output #2	Tachometer output
14	Signal return	Return for analog #2	Remote Accel. Return
15	Signal ground	Return for 5V ref.	Return for HPG sensor
16	Analog input #1	Analog input #1	HPG pressure sensor
17	Analog input #2	Analog input #2	Remote Accelerator
18	Input #1	Digital input	Remote preset enable
19	Input #2	Digital input	Remote variable enable
20	Input #3	Digital input	PTO set
21	Input #4	Digital input	PTO resume
22	Input #5	Digital input	HPG Enable
23	Input #6	Digital input	Transfer Case

RESCM Vernier throttle control voltages

Voltage	Signal Description
0.0 to 0.15 volts	Out of Range Low fault
0.15 to 0.90 volts	0% Throttle
0.90 to 3.50 volts	0% to 100% Throttle range
3.50 to 4.55 volts	100% Throttle
4.55 to 5.0 volts	Out of Range High fault

2587184C91 KIT,REMOTE ENG SPD CONTROLLER

Kit Contents:

Part	Description	Qty
3554871C2	CONTROL, ELECTRONIC*REMOTE ENGI	1
3554070C93	HARNESS,ELEC*RPU/RPTO BOC DATA	1
3572525C91	HARN,DASH WRG,BB DLINK,PWR&GND	1
3574372C91	HARN,DASH WRG,SMRT SOL PK(7/14)	1
3559775C1	RESISTOR,ELECT*TERMINATING RES	1
MIN5	FUSE 5A (3534208C1)	1
2587186R1	MANUAL,INST RMT ENG SPD CTRLR	1